

Customer Code : _____

DATASHEET

DAPU P/N: **DPDE12500002**

Plot			The Label
Drew	Audited	Approved	Stamp, please! Thanks!
Date: 2020.04.14			

Guangdong Dapu Telecom Technology Co.,Ltd

Bldg16,.N.Ind.Zone,SSL Industry Park, Dongguan City, Guangdong Province, China

TEL: 0086-0769-88010888 FAX: 0086-0769-81800098



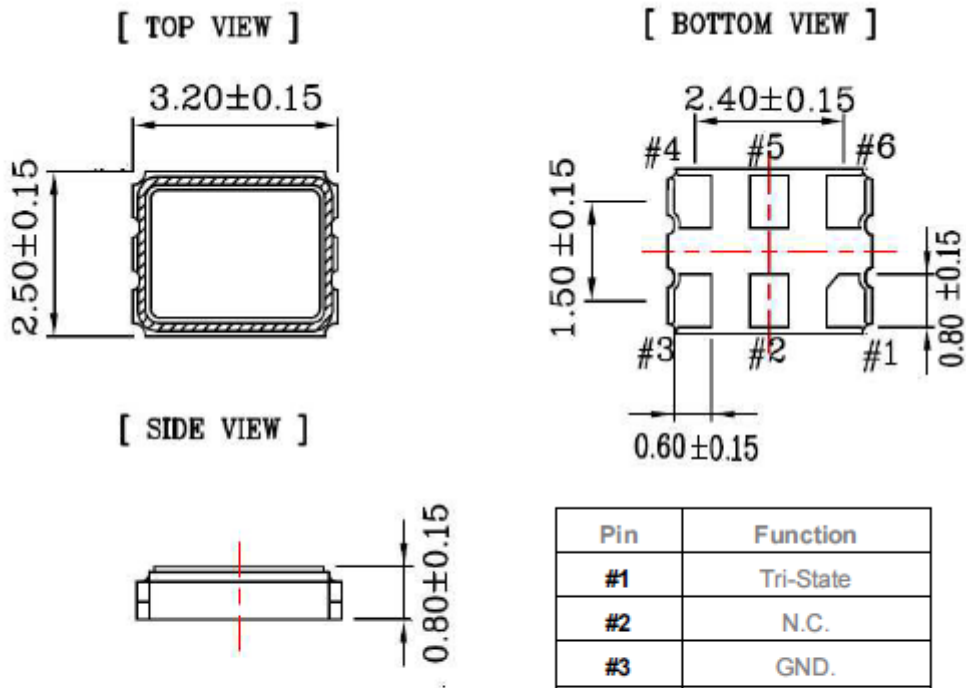
1、Electrical Parameters

MODEL: DPDE12500002							
No.	Parameters	SYM.	Electrical Spec.				Note
			Min.	Typ.	Max.	Units	
1	Nominal Frequency	F0	125.00			MHz	
2	Output Waveform		LVDS				
3	Output Load		100			Ω	
4	Supply Voltage	VDD	2.97	3.3	3.63	V	
5	Frequency Stability(Overall)	F-stab	-50		+50	$\times 10^{-6}$	Frequency stability includes frequency tolerance@25°C and frequency stability vs.operating temperature range and voltage variance and first year aging.
6	Operating Temperature Range	T-opr	-40	~	+85	°C	The operating temperature range over which the frequency stability is measured.
7	Storage Temperature Range	T-stg	-55	~	+125	°C	
8	Current Consumption	IDD	-	-	39	mA	At maximum supply voltage
9	Aging		-3		+3	$\times 10^{-6}$	Frequency drift in first year
10	Symmetry		45	50	55	%	
11	Start Time		-	-	10	mS	
12	Output Voltage High	VOH	-	-	1.6	V	
13	Output Voltage Low	VOL	0.9	-	-	V	
14	Tri-State Output Active		2.31 or Floating	-	-	V	Pin1 Tri-state Enable High
15	Tri-State Output in high-Impedance state		-	-	0.99	V	
16	Rise and Fall Time		-	-	0.4	nS	20%-80% output swing level
17	RMS Phase Jitter		-	0.1	-	pS	12KHz-20MHz
18	Phase Noise		-	-90	-	dBc/Hz	100Hz offset
			-	-120	-	dBc/Hz	1KHz offset
			-	-130	-	dBc/Hz	10KHz offset
			-	-140	-	dBc/Hz	100KHz offset



19	Vibration Test	MIL-STD-883 2007 Condition A	10~2000Hz, 1.52mm, 20g, each axis for 4 hrs
		JESD22-B103 Condition 1	
	Thermal Shock	MIL-STD-883 1010 Condition B	-55°C, 125°C; soak time is 10 mins, with total 200 cycles
		JESD22-A104 Condition B	
	Mechanical Shock	MIL-STD-883 2002 Condition B	1500g, half-sine, 0.5ms, each axis for 3 times.
		JESD22-B104 Condition B	

2、Mechanical Structure(mm)

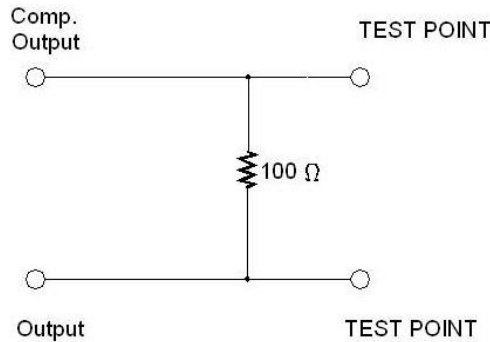


Pin	Function
#1	Tri-State
#2	N.C.
#3	GND.
#4	Output
#5	Comp. Output
#6	VDD

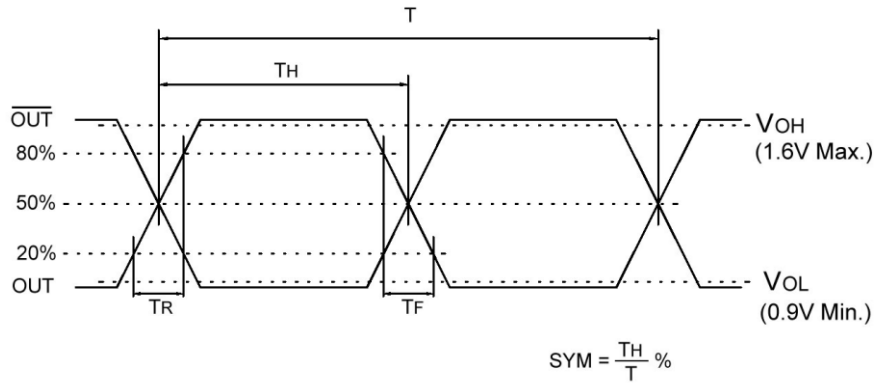
★ To ensure optimal oscillator performance.
 Place a by-pass capacitor of 0.1μF as
 close to the part as possible between
 VDD and GND pads.



3、 Test Circuit



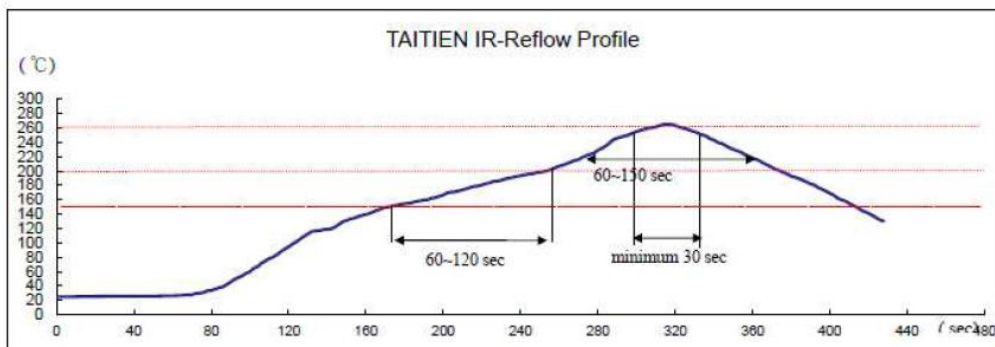
4、 Output Waveform



5、 Recommended IR Reflow Profile

➤ IR REFLOW PROFILE OF CERAMIC SMD PRODUCTS FOR Pb FREE PROCESS

TAITIEN ELECTRONICS CO., LTD.



Reference Standard: JEDEC-STD 020

Test conditions: Pre-heating : 150°C to 200°C, 60~120secs.

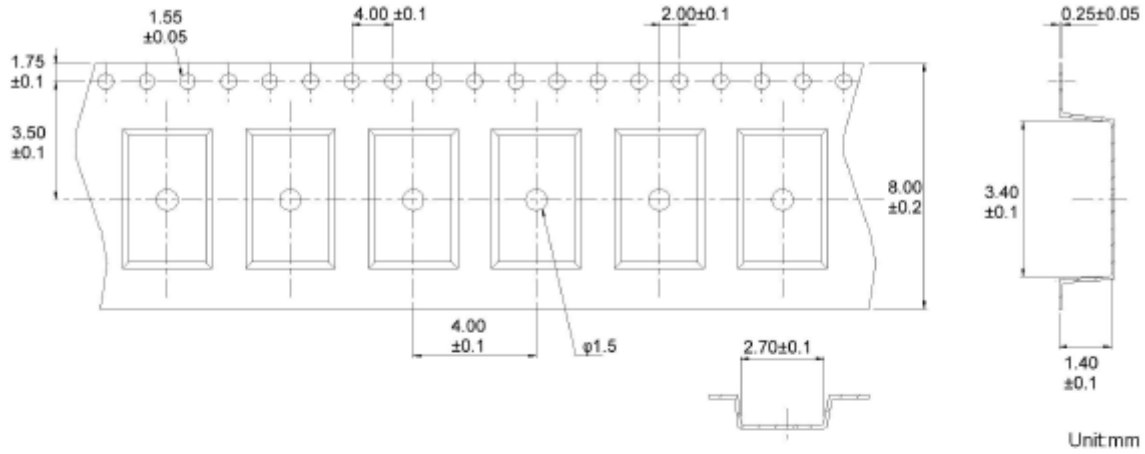
Heating : 217°C, 60~150sec.

Peak temperature at least : 260°C, The time above 255 °C : minimum 30sec.

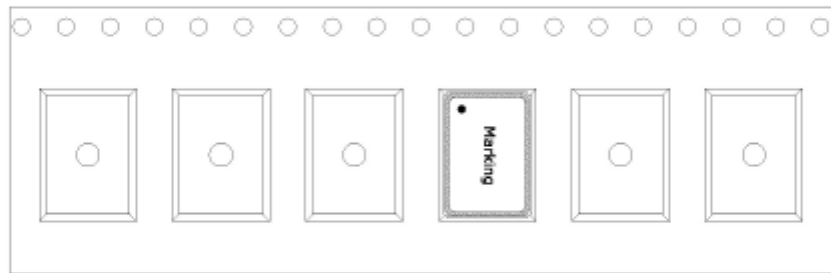


6、 Package: Tape & Reel

➤ TAPE (CARRIER) DIMENSIONS



➤ THE DIRECTION OF PACKING



➤ REEL DIMENSIONS

