

Customer Code : _____

DATASHEET

DAPU P/N: DPDE12500002

Plot			The Label
Drew	Audited	Approved	
			Stamp, please! Thanks!
Date: 2022.06.08			

Guangdong Dapu Telecom Technology Co.,Ltd

Building 5, No.24, Industrial East Road, Songshanhu Park, Dongguan, Guangdong, P.R. China

TEL: 0086-0769-88010888 FAX: 0086-0769-81800098



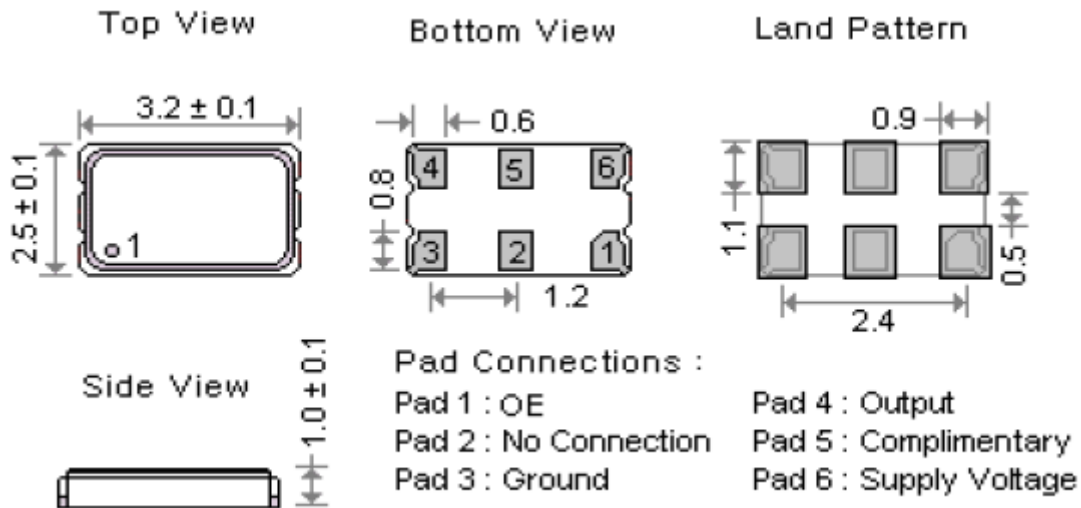
1、Electrical Parameters

MODEL: DPDE12500002							
No.	Parameters	SYM.	Electrical Spec.				Note
			Min.	Typ.	Max.	Units	
1	Nominal Frequency	F0	125.00			MHz	
2	Output Waveform		LVDS				
3	Output Load		100			Ω	
4	Supply Voltage	VDD	2.97	3.3	3.63	V	
5	Frequency Stability(Overall)	F-stab	-50		+50	$\times 10^{-6}$	Frequency stability includes frequency tolerance@25°C and frequency stability vs.operating temperature range and voltage variance and first year aging.
6	Operating Temperature Range	T-opr	-40	~	+85	°C	The operating temperature range over which the frequency stability is measured.
7	Storage Temperature Range	T-stg	-55	~	+125	°C	
8	Current Consumption	IDD	-	-	39	mA	At maximum supply voltage
9	Aging		-3		+3	$\times 10^{-6}$	Frequency drift in first year
10	Symmetry		45	50	55	%	
11	Start Time		-	-	10	mS	
12	Output Voltage High	VOH	-	-	1.6	V	
13	Output Voltage Low	VOL	0.9	-	-	V	
14	Tri-State Output Active		2.31 or Floating	-	-	V	Pin1 Tri-state Enable High
15	Tri-State Output in high-Impedance state		-	-	0.99	V	
16	Rise and Fall Time		-	0.2		nS	20%-80% output swing level
17	RMS Phase Jitter		-	0.1	-	pS	12KHz-20MHz
18	Phase Noise		-	-90	-	dBc/Hz	100Hz offset
			-	-120	-	dBc/Hz	1KHz offset
			-	-130	-	dBc/Hz	10KHz offset
			-	-140	-	dBc/Hz	100KHz offset

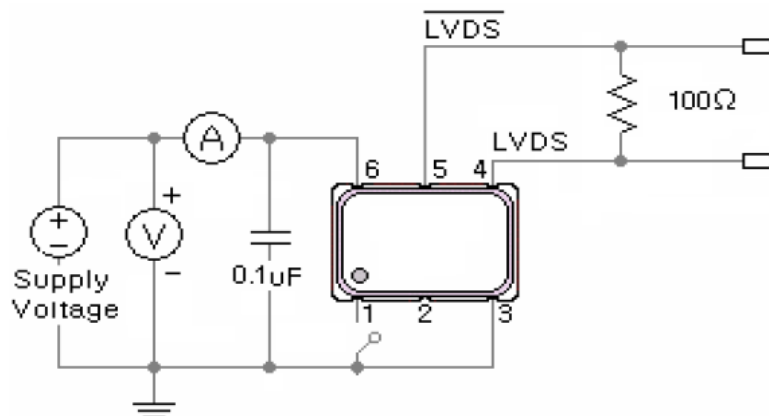


19	Vibration Test	MIL-STD-883 2007 Condition A	10~2000Hz, 1.52mm, 20g, each axis for 4 hrs
		JESD22-B103 Condition 1	
	Thermal Shock	MIL-STD-883 1010 Condition B	-55°C, 125°C; soak time is 10 mins, with total 200 cycles
		JESD22-A104 Condition B	
	Mechanical Shock	MIL-STD-883 2002 Condition B	1500g, half-sine, 0.5ms, each axis for 3 times.
		JESD22-B104 Condition B	

2、Mechanical Structure(mm)

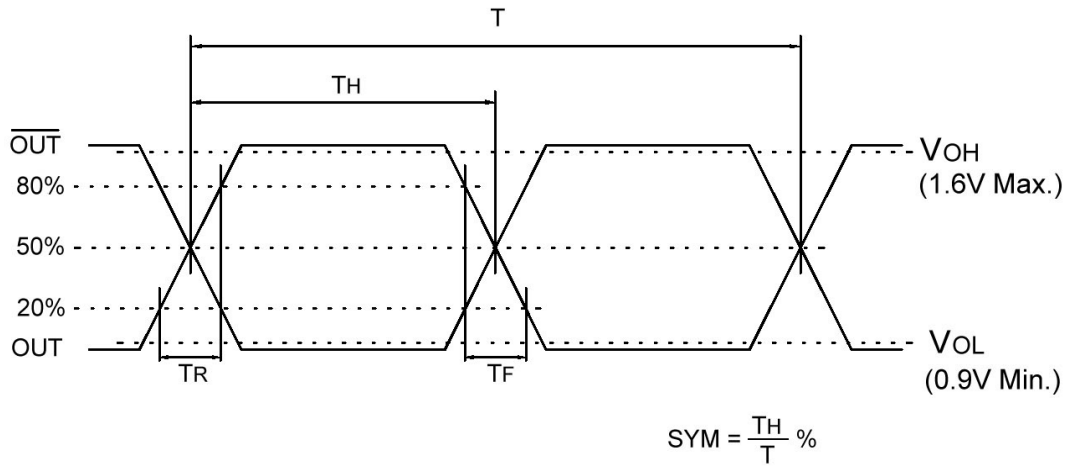


3、Test Circuit

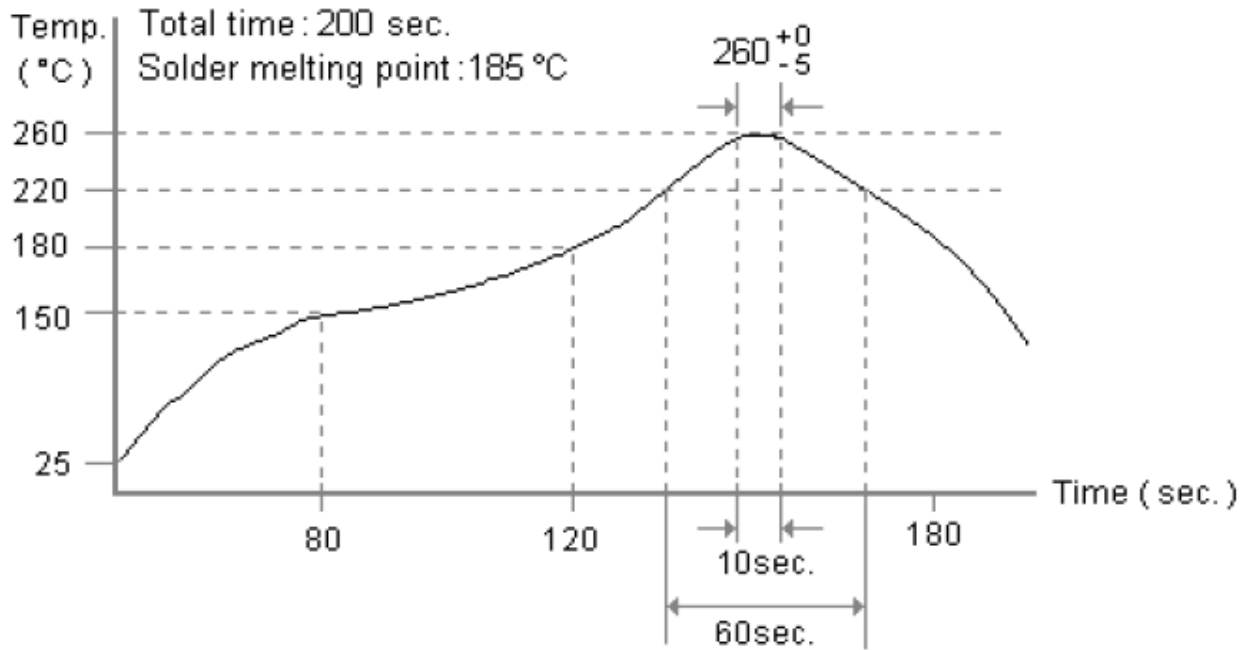




4、 Output Waveform

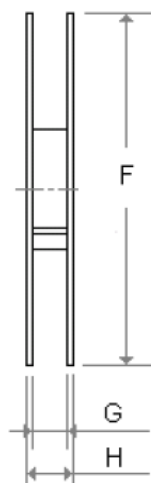
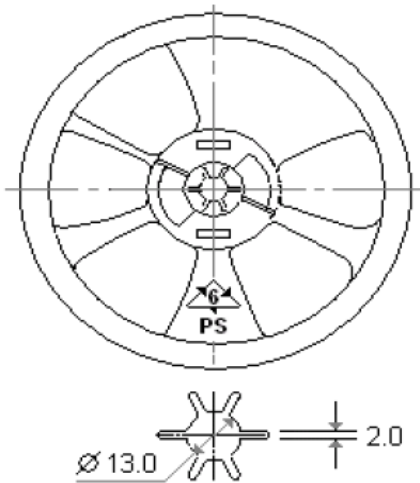
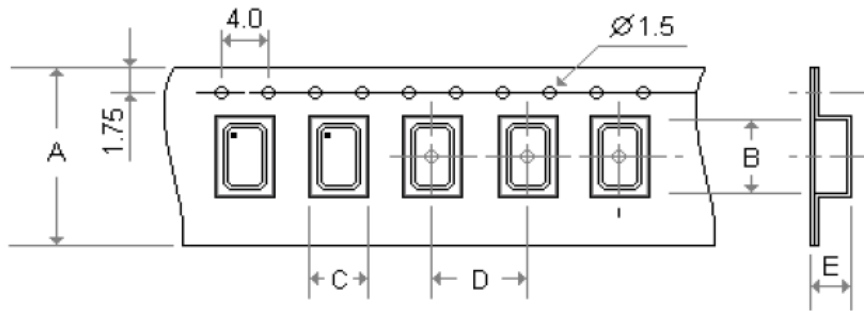


5、 Recommended IR Reflow Profile





6、 Package: Tape & Reel



Dimensions : (Unit : mm)

A	B	C	D	E
8.0	3.4	2.7	4.0	1.4

F	G	H
180.0	12.8	17