

Travelling Merchant: _____

DATASHEET

Standard: DP7X40000013

Plot			The Label
Drew	Audited	Approved	Stamp, please! Thanks!
Date: 2021.02.13			

Guangdong Dapu Telecom Technology Co.,Ltd

Bldg. 5, SSL Modern Enterprise Accelerator, Dongguan, P. R. China

TEL: 0086-0769-88010888 FAX: 0086-0769-81800098

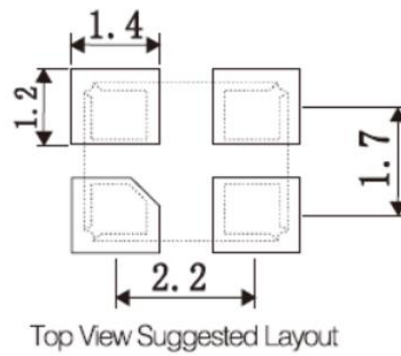
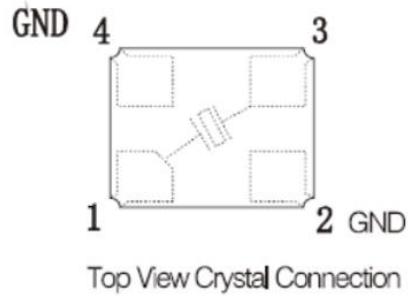
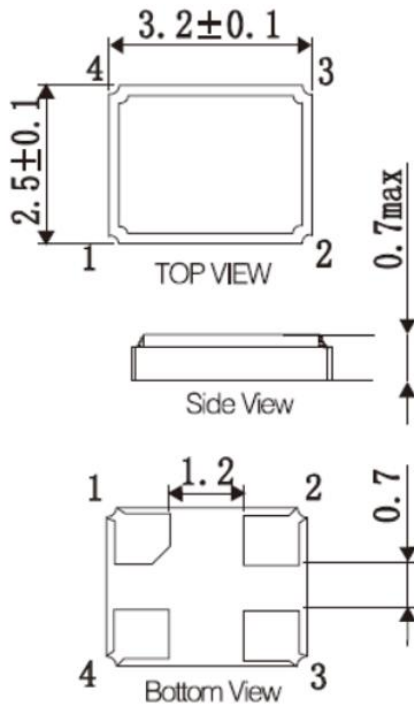


1、Electrical Parameters

MODEL: DP7X4000013							
No.	Parameters	SYM.	Electrical Spec.				Notes
			Min.	Typ.	Max.	Units	
1	Nominal Frequency	FL	40.00			MHz	
2	Oscillation Mode		Fundamental				
3	Load Capacitance	CL	15			pF	
4	Frequency Stability	-	-10		+10	$\times 10^{-6}$	At 25°C $\pm 3^{\circ}\text{C}$
5	Frequency Stability: Refer to Operating Temperature		-20		+20	$\times 10^{-6}$	@-40°C~+85°C
6	Operating Temperature	Topr	-40		+85	°C	
7	Storage Temperature	Tstg	-40	~	+125	°C	
8	Drive Level			100	300	uW	
9	Cutting Mode		AT cut				
10	Equivalent Series Resistance				30	Ω	
11	Shunt Capacitance				5.0	pF	
12	Insulation resistance		500			M Ω	DC 100V
13	Aging		-3		+3	$\times 10^{-6}$	1st. Year at 25°C



2、Mechanical Structure(mm)



Unit: mm

Note1: Tolerance ± 0.2 mm without mark