

Customer Code: _____

DATASHEET

DAPU P/N: DP8V10000001

DAPU			Customer Approval
Drew	Audited	Approved	Stamp, please! Thanks!
Date: 2021.10.19			

Guangdong Dapu Telecom Technology Co.,Ltd

Building 5, No.24, Industrial East Road, Songshanhu Park, Dongguan, Guangdong, P.R. China

TEL: 0086-0769-88010888 FAX: 0086-0769-81800098

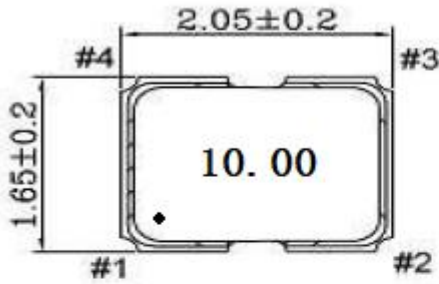
**1、 Electrical Parameters**

MODEL: DP8V1000001							
No	Parameters	SYM.	Electrical Spec.				Notes
			Min.	Typ.	Max.	Units	
1	Nominal Frequency	FL	10.00			MHz	
2	Output Load Capacitance	CL	CMOS			-	
3	Frequency Stability		-20		+20	$\times 10^{-6}$	25°C
			-20		+20	$\times 10^{-6}$	-40°C~+85°C
4	Start time				5	mS	
5	Symmetry	TH/T	45	50	55	%	
6	Operating Temperature	Topr	-40		+85	°C	
7	Storage Temperature	Tstg	-55	~	+125	°C	
8	Supply Voltage		2.97	3.3	3.63	V	
9	Supply Current				20	mA	At maximum supply voltage
10	Output load				15	pF	
11	Tri-State Output Active		0.7Vdd			V	Pin 1 Tri-State
12	Tri-State Output in High-Impedance state				0.3Vdd	V	
13	Output Voltage High	VoH	90% Vdd			V	
14	Output Voltage Low	VoL			10% Vdd	V	
15	Aging		-3		+3	ppm	Frequency drift in first year @ 25°C
16	Rise and Fall time	Tr/Tf			5	ns	

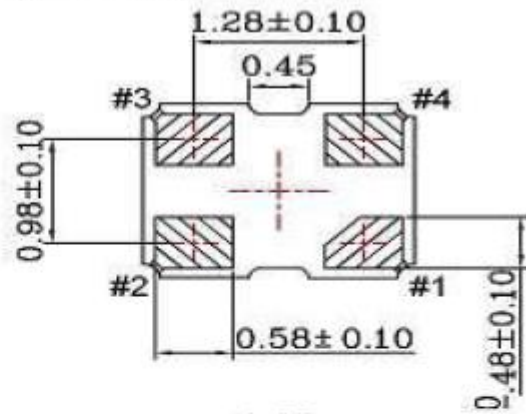


2、Mechanical Structure

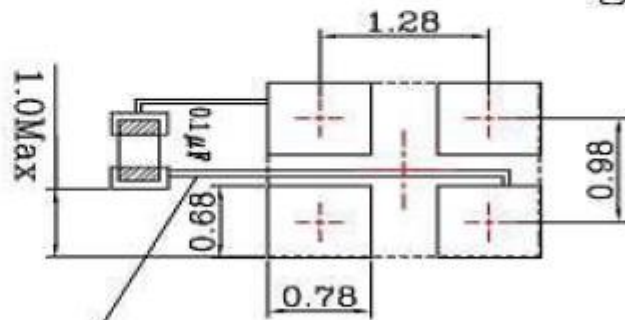
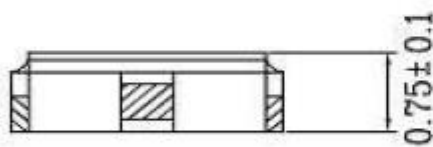
[TOP VIEW]



[BOTTOM VIEW]



[SIDE VIEW]



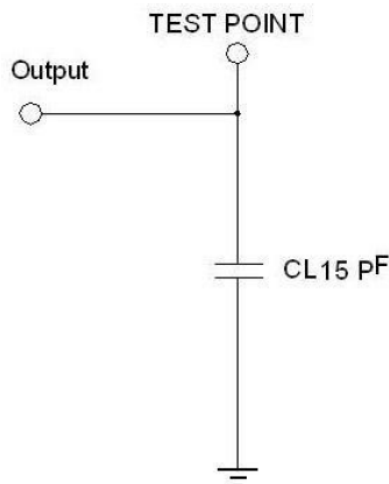
Pin	Function
#1	Tri-State
#2	GND
#3	Output
#4	VDD

*** Might cause malfunction if do not follow the recommendation.**

Recommended soldering pattern

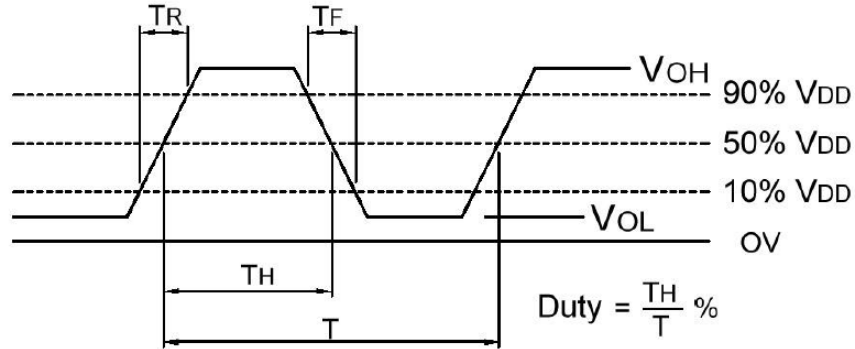
Note1: Tolerance $\pm 0.20\text{mm}$

3、Test Circuit





4、 Output Waveform(CMOS Load)



5、 Package: Tape & Reel (mm)

