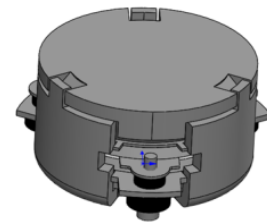




DP1025C

3542.5MHz to 3800MHz Single-Junction Surface Mount Circulator

REV.	DESCRIPTION	REVISOR	DATE	APPROVED
A	Creation	TZ.Wang	2020/10/14	DP.Zhang
B	Updated the packaging style.	TZ.Wang	2020/11/03	DP.Zhang
C	Changed the product height, frequency range and 2nd harmonic	TZ.Wang	2020/11/20	DP.Zhang
D	Changed the product height	TZ.Wang	2020/12/2	DP.Zhang
E	Changed the frequency	TZ.Wang	2021/01/13	DP.Zhang

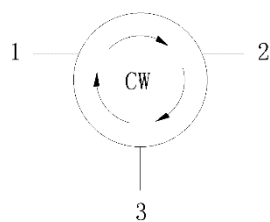


Applications:

- Wireless Infrastructure
- Power Amplifier

Features:

- Operating frequency range: 3542.5MHz to 3800MHz
- Operating temperature range: -40°C to +105°C
- Storage temperature range: -55°C to +150°C
- Small surface-mount package delivered on T&R
- BeOfree&RoHS compliant



Block Diagram



Electrical Specifications:

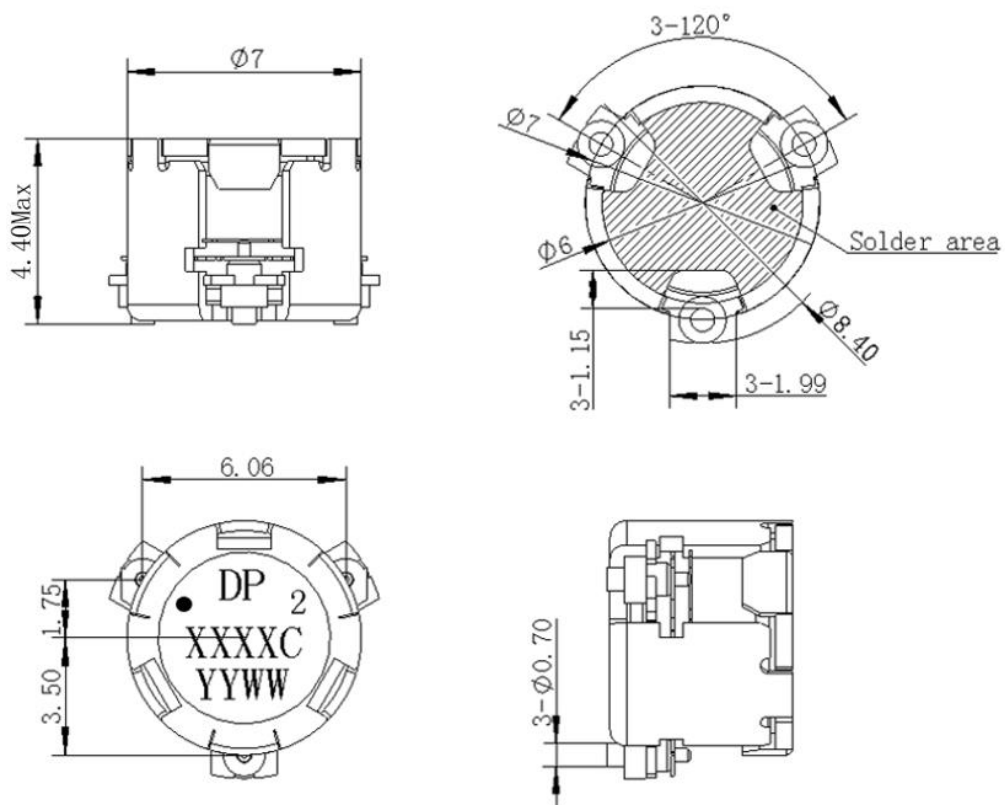
ITEM	SPECIFICATION	
Frequency	3542.5~3800	MHz
Direction	CW	
Impedance	Typ: 50	Ω
Insertion Loss (Max.)	0.4@3542.5~3800MHz	dB
Isolation (Min.)	20@3542.5~3800MHz	dB
Return Loss (Min.)	20@3542.5~3800MHz	dB
2nd harmonic	10	dBc
3rd harmonic	5	dBc
Power FWD/REV/PEAK	30/30/150	W

Notes:

1. Exposure to maximum rating conditions for extended periods may reduce device reliability. There is no damage to device with only one parameter set at the limit and all other parameters set at or below their nominal value. Exceeding any of the limits listed here may result in permanent damage to the device.
2. Performance is guaranteed under the conditions listed in this table and over the operating temperature range.
3. Performance will not degrade by > 10% (Insertion loss > 20%) with an operating temperature of up to 130 °C.



Mechanical Specifications:



Unit: Millimeters

Notes:

1. The housing and pins are silver-plated.
2. Tolerance $\pm 0.2\text{mm}$ unless otherwise specified.
3. Co-planarity Specification: 0.1mm maximum.
4. Part Number, Lot Code, and Port Designation are printed on the top side of device.
5. The **XXXXC** on the label represents the last five digits of the Part Number.
6. Date code is in format **YYWW**.
7. The black dot on the label represents the input port.



PackagingStyle:

ITEM	W	A0	B0	C0	K0	D	E	F	F2	P	P0	P2	T
DIM	24	Φ7.4	9.0	2.3	4.9	Φ1.5	1.75	11.5	-	20	4	2	0.5
TOLE	±0.2	±0.2	±0.2	±0.2	±0.1	+0.1	±0.1	±0.15	±0.1	±0.1	±0.1	±0.1	±0.05

