

Travelling Merchant: _____

DATASHEET

Standard: **T22-S519-38.40MHz**

P/N: _____

Plot			The Label
Drew	Audited	Approved	Stamp, please! Thanks!
Date: 2021.09.25			

Guangdong Dapu Telecom Technology Co.,Ltd

Building 5, No.24, Industrial East Road, Songshanhu Park, Dongguan, Guangdong, P.R. China

TEL: 0086-0769-88010888 FAX: 0086-0769-81800098



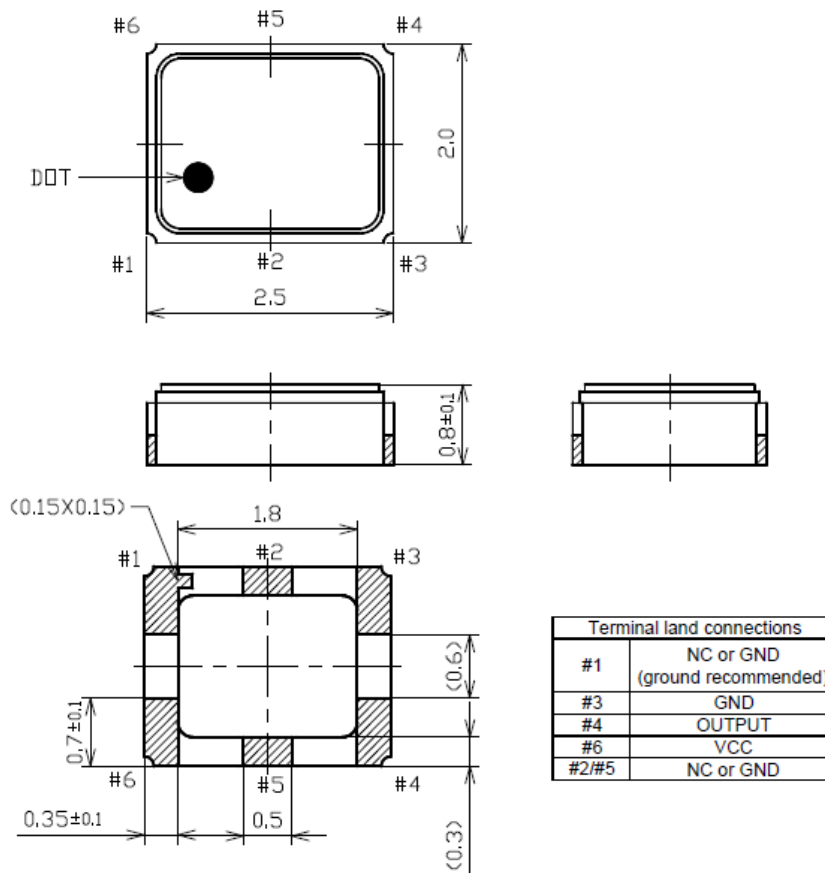
1. Electrical Parameters

MODEL: T22-S519-38.40MHz						
Item	Description	Parameters			Unit	Test Condition
		Min.	Typ.	Max.		
Output	Frequency	38.40			MHz	
	Output Waveform	Clipped Sine Wave				DC Coupled
	Vp-p	0.8			V	
	Start Up Time			2	ms	Frequency within ± 0.5 ppm of steady state frequency
	Load	10K Ω //10pF				
Frequency Stabilities	Frequency Tolerance	-1.0		+1.0	$\times 10^{-6}$	@25°C+/-2°C
	Temperature Stability	-0.5		+0.5	$\times 10^{-6}$	T _A varied from -30°C to 85°C, measurement referenced to frequency observed with f _{ref} =(f _{max} +f _{min})/2, V _{cc} =3.3V, O _{load} =10K Ω //10pF, temperature variable speed less than 2°C per minute.
		-1		+1	$\times 10^{-6}$	T _A varied from -40°C to -30°C, measurement referenced to frequency observed with f _{ref} =(f _{max} +f _{min})/2, V _{cc} =3.3V, O _{load} =10K Ω //10pF, temperature variable speed less than 2°C per minute.
	Frequency Tolerance vs. Supply Voltage	-0.1		+0.1	$\times 10^{-6}$	Measurement referenced to frequency observed T _A =25°C, V _{cc} \pm 5% and O _{Load} =10K Ω //10pF.
	Frequency Tolerance vs. Load	-0.2		+0.2	$\times 10^{-6}$	10% load change measurement referenced to frequency observed with T _A =25°C, V _{cc} \pm 5%, O _{Load} =10K Ω //10pF.
	Reflow Variation	-1.0		+1.0	$\times 10^{-6}$	After two consecutive reflows as per profile shown and 1hr recovery @ 25°C
Aging first years	-1.0		+1.0	$\times 10^{-6}$	T _A =25°C	
Power Supply	Current Consumption			2	mA	@25°C, V _{cc} \pm 5%, O _{load} =10K Ω //10pF.
	Supply Voltage	3.135	3.3	3.465	V	
Phase Noise	Phase Noise		-57		dBc/Hz	1Hz
			-88			10Hz
			-109			100Hz
			-132			1KHz
			-149			10KHz
			-150			100KHz



Environmental Conditions	Operable Temperature	-40		+85	°C	
	Storage Temperature	-40		+85	°C	
	ESD Level	Human Body Model, class2: 2000V to 4000V; ANSI/ESDA/JEDEC JS-001-2010.				
		Machine Model, class B: 200V to 400V; JEDEC JESD22-A115C.				
	Moisture Sensitivity Level	Level 2.				
	Vibration	Test Condition: 0.75mm ;acceleration:10g;10Hz~2000Hz, one cycle per 30 min, test 2 hours. (3 times for each 3 directions X , Y , Z) .IEC 68-2-06 Test Fc.				
Shock	100g; 6ms; half sine wave (3 times for each 3 directions X , Y, Z),IEC 68-2-27 Test Ea/Severity 50A.					
Full Package Storage	Relative humidity (%)	20% ~ 70%				
	Temperature (°C)	-10~35°C				

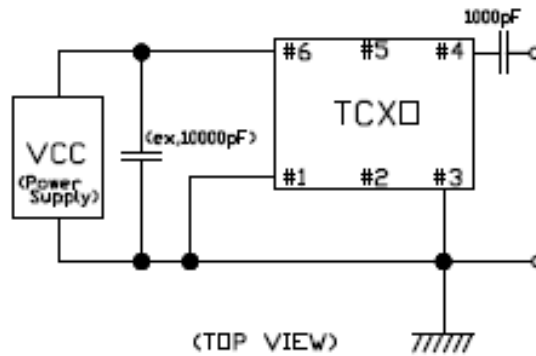
2. Mechanical Structure(mm)



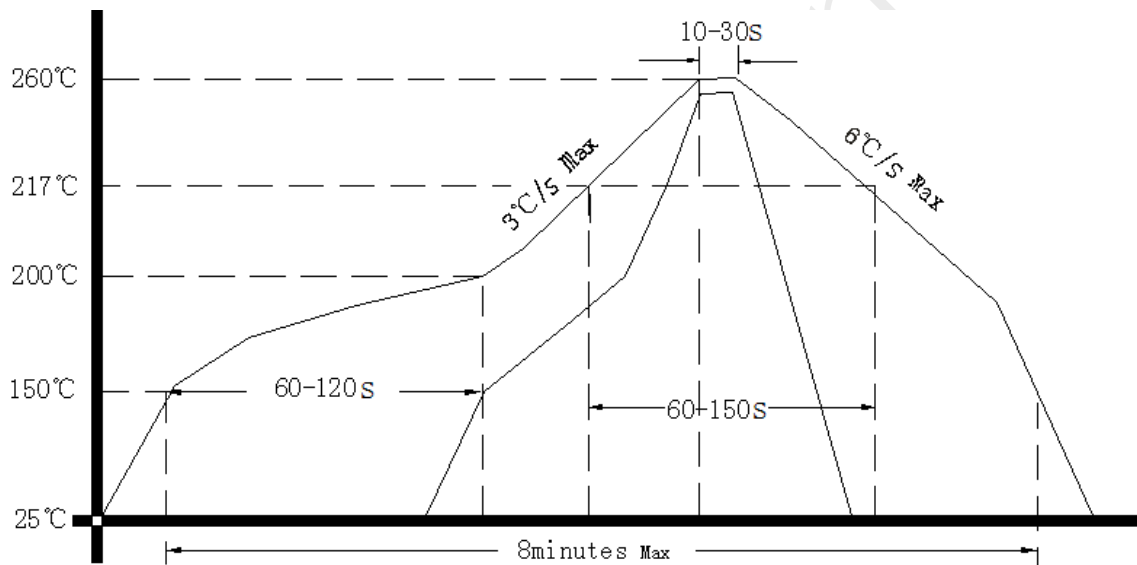
Note1: Tolerance ±0.15mm without mark



3. Test Circuit



4. Reflow Soldering Curve (RoHS)



5. Package: Tape & Reel (mm)

