



Travelling Merchant: _____

DATASHEET

Standard: **O55F-ASDD-10.00MHz**

Plot			The Label
Drawing	Auditing	Approve	Stamp, please! Thanks!
			
Date:			

Dongguan Dapu Telecom Technology Co.,Ltd

No.1 New City Street,Songshan Lake Science Park, Dongguan City,Guangdong province, PRC CHINA

TEL: 0086-0769-88010888 FAX: 0086-0769-81800098



The parameter of product

MODEL: O55F-ASDD-10.00MHz

1. Output

1.1. Frequency	10.00MHz
1.2. Waveform	Sinewave
1.3. Level	+7±1.5dBm
1.4. Load	50Ω
1.5. Harmonics Suppression	≤-30dBc
1.6. Spurious Suppression	≤-60dBc

2. Frequency Stability

2.1. Temperature stability	≤±5.0x10 ⁻¹⁰ @-10°C ~ +60°C, after turn on 48 hour ref. to +25 °C
2.2. Short-time frequency stability(Typical)	5.0x10 ⁻¹² /S @Temperature stability, no EMI\EMC or other interference, test after turn on 1 hour, ref. to 25 °C, 1s
2.3. Stability vs power supply	≤±2.0x10 ⁻¹⁰ @12.0VDC±5%
2.4. Stability vs load	≤±2.0x10 ⁻¹⁰ @Load±5%
2.5. Aging	≤±2.0x10 ⁻¹⁰ /day @aging average after 30 days of continuous operation
	≤±3.0x10 ⁻⁸ / year

3. Power Supply

3.1. Voltage	+12.0VDC±5%
3.2. Warm up	≤800mA
3.3. Steady	≤350mA

4. Electrical frequency adjustment

4.1. Control voltage	0VDC~5.0VDC(Vcenter=2.5VDC)
4.2. Frequency adjustment	±0.3ppm~±0.5ppm
4.3. Slope	Positive
4.4. Linearity	≤±10%

5. Phase noise (Typical)

5.1. 1Hz	-90dBc/Hz
5.2. 10Hz	-120dBc/Hz
5.3. 100Hz	-140dBc/Hz
5.4. 1KHz	-145dBc/Hz
5.5. 100KHz	-150dBc/Hz

6. Temperature

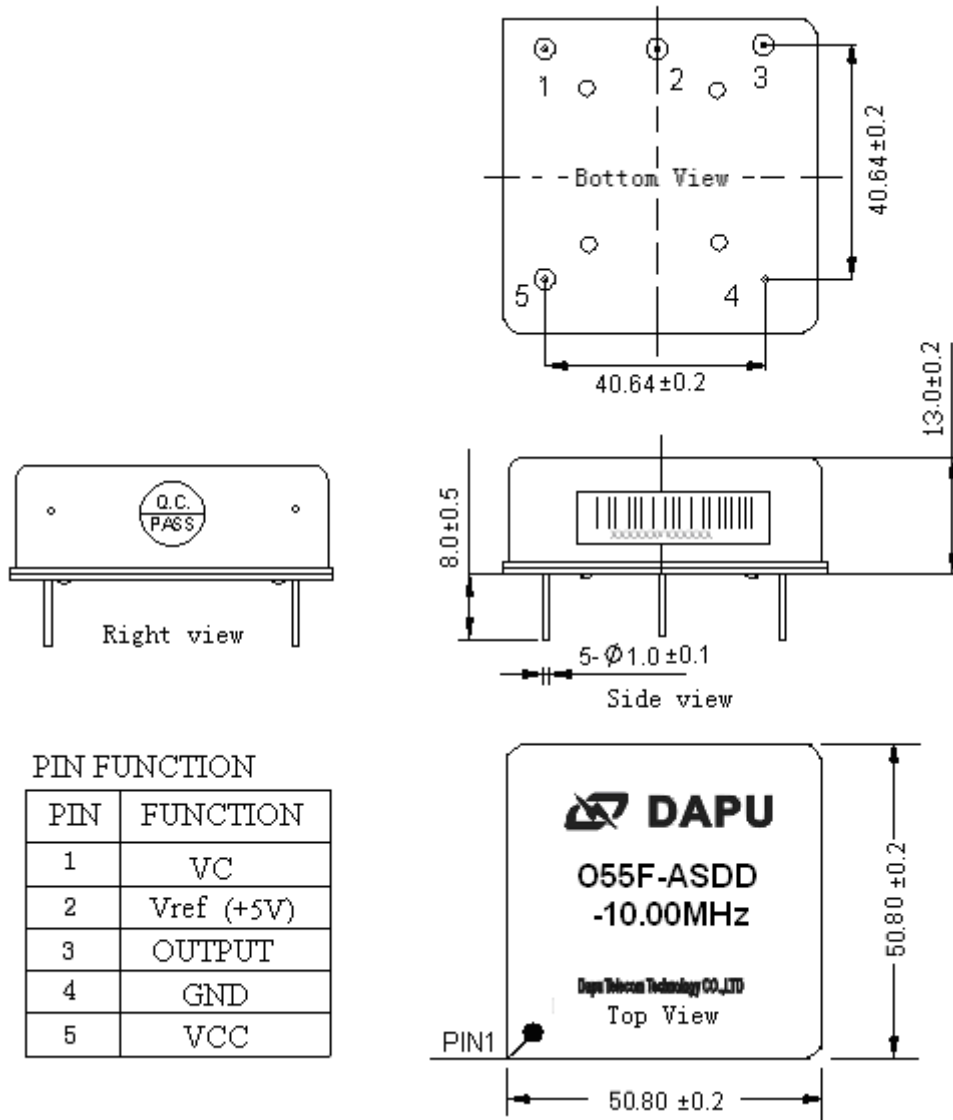
6.1. Operation temperature	-10°C to +60°C
6.2. Store temperature	-40°C to +85°C



- 6.3. Vibration 1-200 Hz, 5g
- 6.4. Shock 75g, 3±1ms

7. Figure

See the picture

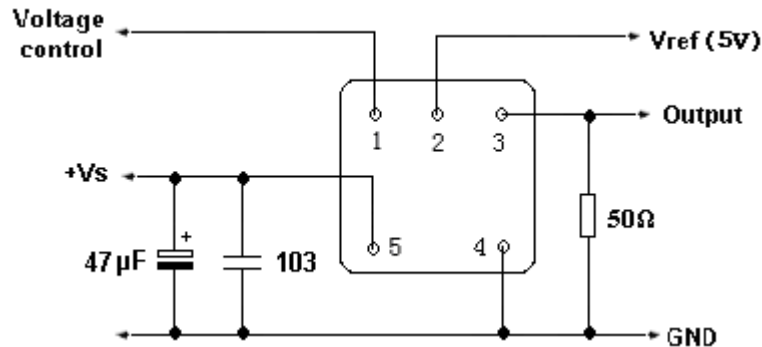


Note: The bottom view means that the stitches are against the people

Unit : mm

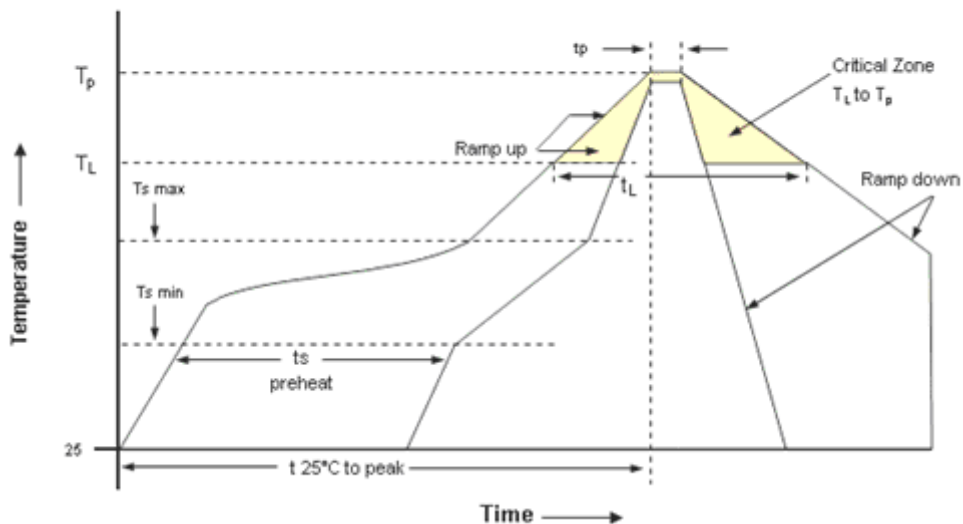


8. Test circuit



9. Recommended Reflow Profile

Solderprofile:



Profile Feature	Pb-Free Assembly	Profile Feature	Pb-Free Assembly
Average ramp-up rate (TL to Tp)	3°C/second max.	Time 25°C to Peak Temperature	8 minutes max.
Preheat -Temperature Min Ts _{min} -Temperature Min Ts _{max} -Time (min to max) (ts)	150°C 200°C 60-180 seconds	Time maintained above - Temperature (TL) - Time (tL)	217°C 60-150 seconds
Ts _{max} to TL - Ramp-up Rate	3°C/second max.		
Time maintained above - Temperature (TL) - Time (tL)	217°C 60-150 seconds	Time within 5°C of actual Peak Temperature (tp)	20-40 seconds
Peak Temperature (Tp)	max 260°C	Ramp-down Rate	6°C/second max.