

Customer Code : _____

DATASHEET

DAPU P/N: **T21-Q569-32.00MHZ**

Customer P/N: _____

DAPU			Customer Approval
Drew	Audited	Approved	Stamp, please! Thanks!
Date: 2021.10.28			

Guangdong Dapu Telecom Technology Co.,Ltd

Building 5, No.24, Industrial East Road, Songshanhu Park, Dongguan, Guangdong, P.R. China

TEL: 0086-0769-88010888 FAX: 0086-0769-81800098



1. Electrical Parameters

MODEL: T21-Q569-32.00MHz						
Item	Description	Parameters			Unit	Test Condition
		Min.	Typ.	Max.		
Output	Frequency	32.00			MHz	
	Output Waveform	Clipped Sine Wave				
	Vp-p	0.8			V	
	Symmetry	40		60	%	GND level(DC cut)
	Start Up Time			2	ms	@90% of final V _{OUT} level
	Load	9	10	11	kΩ/pF	
Frequency Stabilities	Frequency Tolerance vs. Operating Temperature Range	-1		+1	× 10 ⁻⁶	T _A varied from -40°C to 85°C, measurement referenced to frequency observed with T _A =25±/2°C, V _{cc} =2.8V, O _{load} =10KΩ//10pF, temperature variable speed less than 2°C per minute.
	Nominal Frequency Tolerance	-1		+1	× 10 ⁻⁶	At±/-25°C±/2°C,before reflow soldering, based on nominal frequency.
	Frequency Tolerance vs. Supply Voltage	-0.1		+0.1	× 10 ⁻⁶	measurement referenced to frequency observed T _A =25°C, V _{cc} varied from 2.66V to 3.15V, and O _{Load} =10KΩ//10pF.
	Frequency Tolerance vs. Load	-0.1		+0.1	× 10 ⁻⁶	10% load change measurement referenced to frequency observed with T _A =25°C, V _{cc} =2.8V, and O _{Load} =10KΩ//10pF .
	G Sensitivity			2	× 10 ⁻⁹ /G	30Hz to 1500Hz random vibration in each of 3-axis.
	Aging Tolerance 1 Year	-1		+1	× 10 ⁻⁶	T _A =25°C, V _{cc} =2.8V, and after 1h of operation.
	Aging Tolerance 2 Years	-1.5		+1.5	× 10 ⁻⁶	
	Aging Tolerance 5 Years	-2.5		+2.5	× 10 ⁻⁶	
	Aging Tolerance 10 Years	-5		+5	× 10 ⁻⁶	
Power Supply	Operating Current			1.5	mA	@25°C, V _{cc} =2.8V, O _{Load} =10KΩ//10pF.
	Supply Voltage	1.68		3.465	V	
Phase Noise	Phase Noise @25°C			-130	dBc/Hz	1KHz
				-142		10KHz
				-147		100KHz

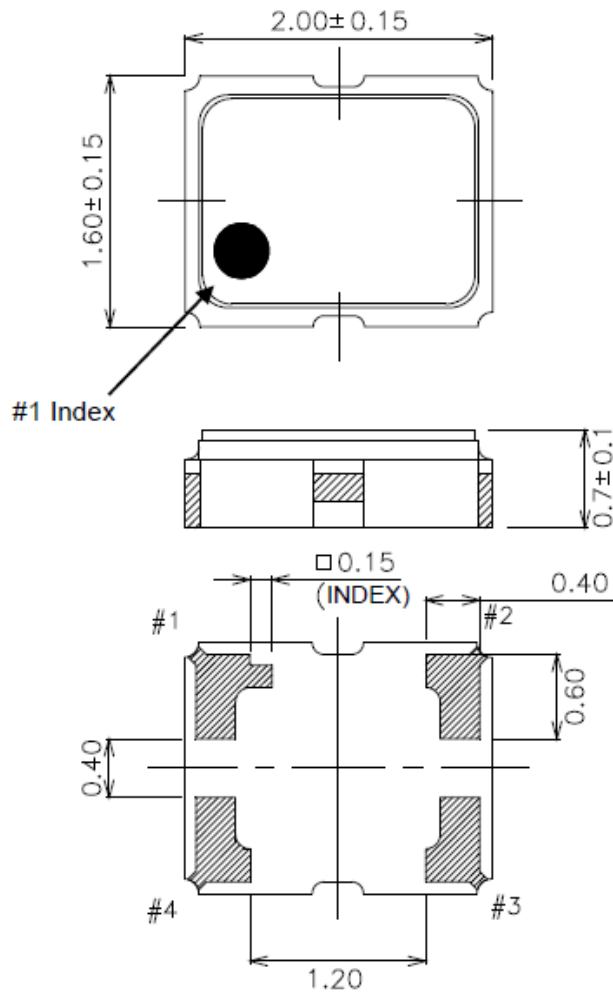


Environmental Conditions	Operable Temperature	-40		+85	°C	
	Storage Temperature	-55		+105	°C	
	ESD Level	Human Body Model,class2: 2000V to 4000V; ANSI/ESDA/JEDEC JS-001-2010.				
		Machine Model, class B: 200V to 400V; JEDEC JESD22-A115C.				
	Moisture Sensitivity Level	Level 2.				
	Vibration	Test Condition: 0.75mm ;acceleration:10g;10Hz~2000Hz, one cycle per 30 min, test 2 hour. (3 times for each 3 directions X , Y , Z) .IEC 68-2-06 Test Fc.				
Shock	100g; 6ms; half sine wave (3 times for each 3 directions X , Y, Z),IEC 68-2-27 Test Ea/Severity 50A.					
Full Package Storage	Relative humidity (%)	20% ~70%				
	Temperature (°C)	-10~35°C				

DAPU Confidential



2. Mechanical Structure(mm)

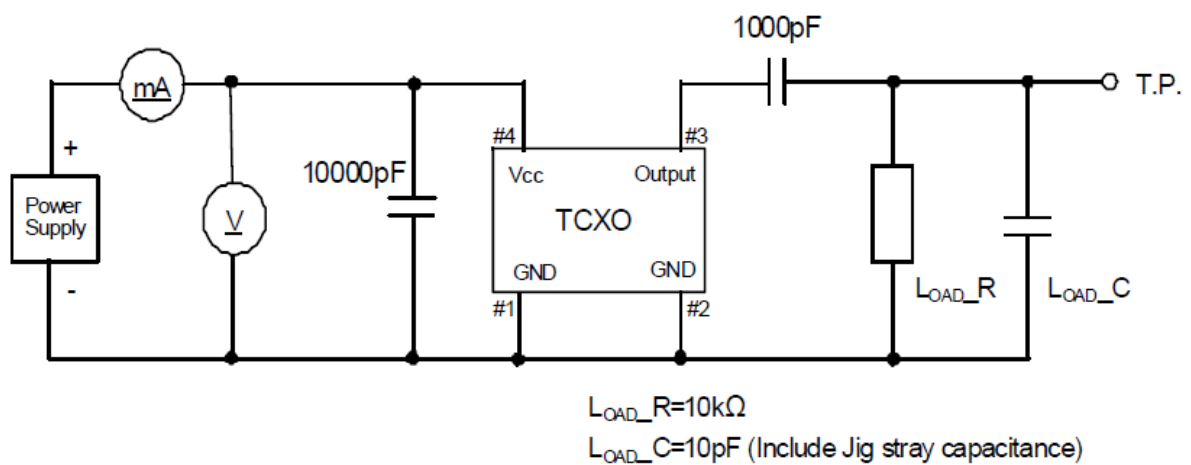


Pin Connections

Pin No.	Connection
#1	GND
#2	GND
#3	Output
#4	V _{CC}

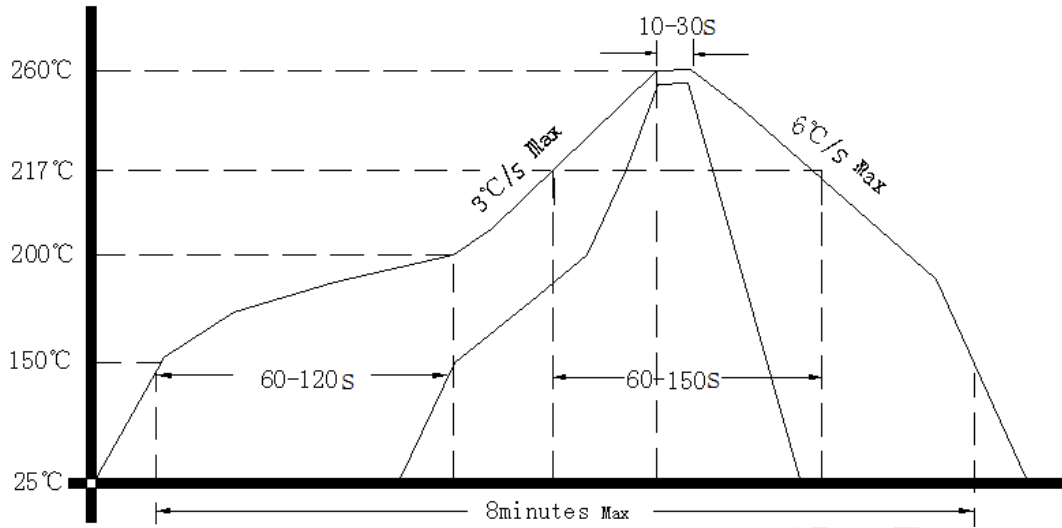
Note1: Tolerance ± 0.1 mm without mark

3. Test Circuit





4. Reflow Soldering Curve (RoHS)



5. Package: Tape & Reel (mm)

