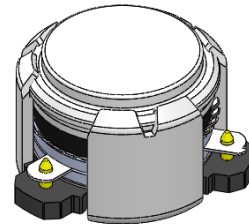




DP0482C

2496MHz to 2690MHz Single-Junction Surface Mount Circulator

REV.	DESCRIPTION	REVISOR	DATE	APPROVED
A	Creating datasheet	ZC.Wu	2021/05/19	Nick

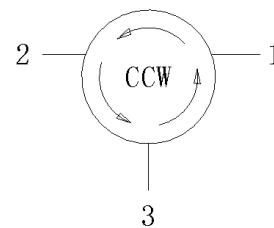


Applications:

- Wireless Infrastructure
- Power Amplifier

Features:

- Operating frequency range: 2496MHz to 2690MHz
- Operating temperature range: -40°C to +125°C
- Storage temperature range: -65°C to +155°C
- Small surface-mount package delivered on T&R
- BeO free & RoHS compliant



Block Diagram



Electrical Specifications:

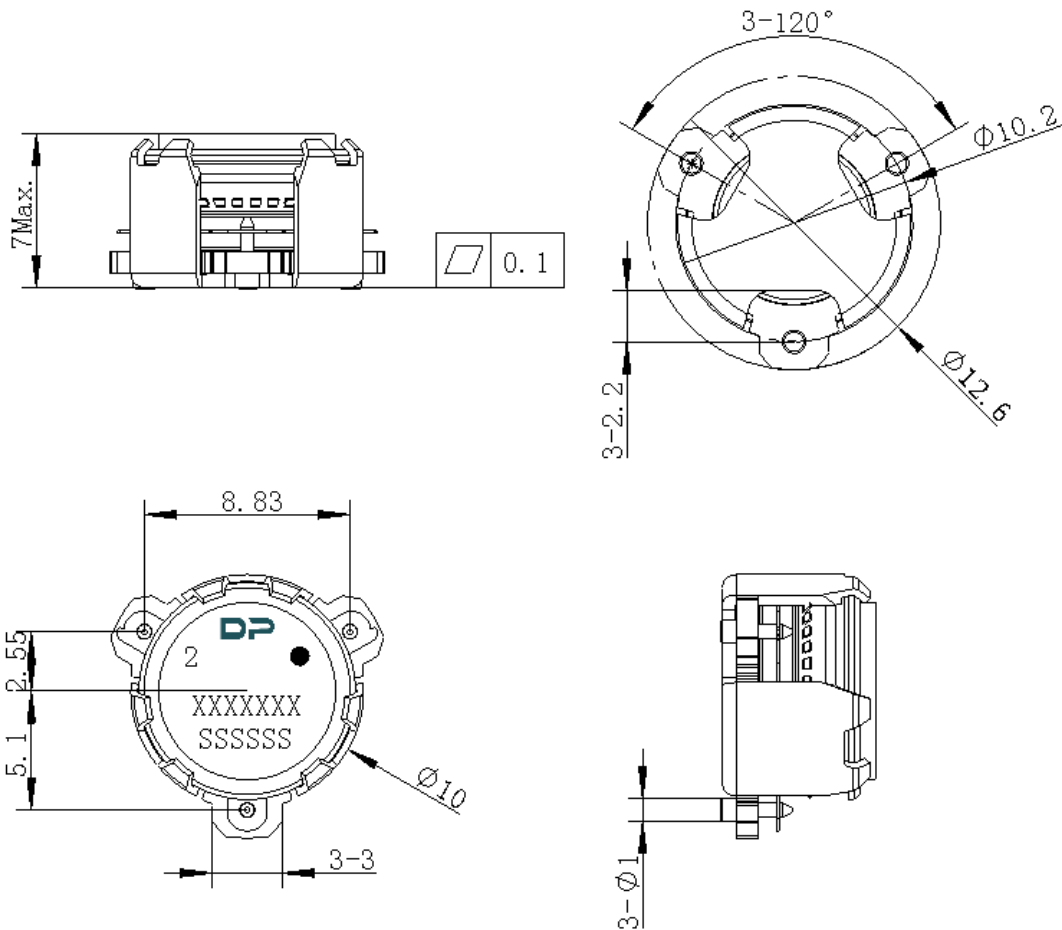
ITEM	SPECIFICATION	
Frequency	2496~2690	MHz
Direction	CCW	
Impedance	Typ: 50	Ω
Insertion Loss (Max.)	0.30@-20~+105 $^{\circ}$ C 0.35@-40~+125 $^{\circ}$ C	dB
Insertion loss ripple (Max.)	0.1	dB
Isolation (Min.)	23@-20~+105 $^{\circ}$ C 20@-40~+125 $^{\circ}$ C	dB
Return Loss (Min.)	23@-20~+105 $^{\circ}$ C 20@-40~+125 $^{\circ}$ C	dB
3rd IMD (Max.)	-68@ 2x39dBm spacing 5MHz	dBc
Harmonic product generation	-56@ 43dBm CW signal input	dBc
2nd harmonic Rejection	18	dB
3rd harmonic Rejection	10	dB
Phase flatness vs. frequency	0.5@2396MHz~2790MHz	deg
Power FWD/REV/PEAK	44/42/51	dBm
Resonance point of out off band	/	W/dB

Notes :

1. Exposure to maximum rating conditions for extended periods may reduce device reliability. There is no damage to device with only one parameter set at the limit and all other parameters set at or below their nominal value. Exceeding any of the limits listed here may result in permanent damage to the device.
2. Performance is guaranteed under the conditions listed in this table and over the operating temperature range.



Mechanical Specifications:



Unit : Millimeters

Notes:

1. The housing and pins are silver-plated.
2. Tolerance ± 0.2 mm unless otherwise specified.
3. Co-planarity Specification: 0.1mm maximum.
4. Part Number, Lot Code, and Port Designation are printed on the top side of device
5. The **XXXXC** on the label represents the last five digits of the Part Number.
6. Date code is in format **YYWW**
7. The black dot on the label represents the input port



Packaging Style:

ITEM	W	A0	B0	C0	K0	D	E	F	F2	P	P0	P2	T
DIM	32	$\Phi 10.4$	12.5	4	7.0	$\Phi 1.5$	1.75	14.2	28.5	24	4	2	0.5
TOLE	± 0.3	± 0.2	± 0.2	± 0.2	± 0.2	+0.1	± 0.1	± 0.15	± 0.1	± 0.1	± 0.1	± 0.1	± 0.05

