

5mm SMD ISOLATOR

RF component

ProvisionalDatasheet No.: DP-B-0060(00)
Date: 2021.04.21**Customer:**

DIGITGATE

Product Name:

DP-IL0520A4900-R1

DP-IL0520B4900-R1

Customer P/N:GuangdongDapuTelecomTechnologyCo.,Ltd Bldg13-16,.N.Ind.Zone,SSLIndustry
http://www.dptel.com

Park,DongguanCity,Guangdong

Province,PRChina

TEL:0086-0769-88010888

FAX:0086-0769-81800098

Approved	Checked	Designer
Patrick	Nina	Bill

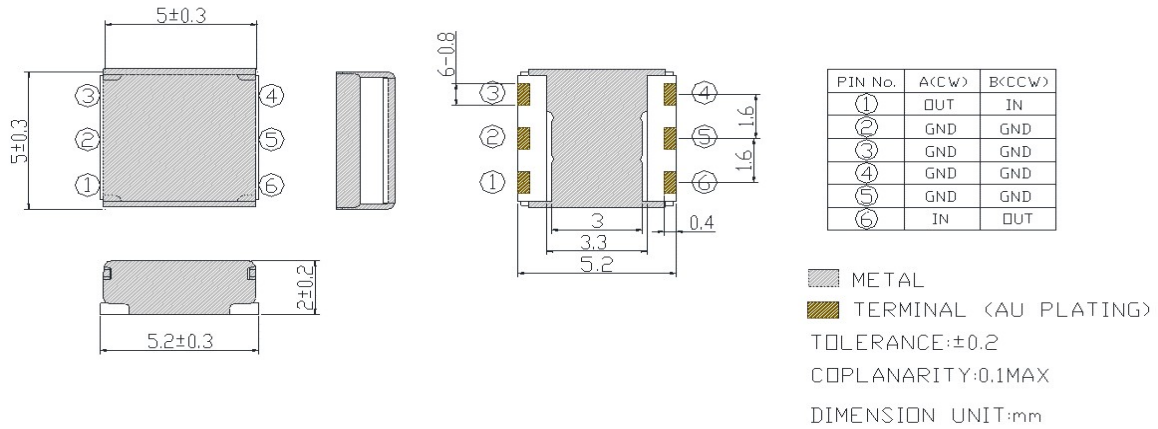
5mm SMD ISOLATOR

RF component



Provisional

Datasheet No.: DP-B-0060(00)
 Date: 2021.04.21

MECHANICAL SPECIFICATION



MARKING

DP-IL0520A4900-R1	DP-IL0520B4900-R1	
Clockwise(CW):A	CounterClockwise(CCW):B	
		①/⑥ : Out/In Port ②~⑤: Ground p: Year/ Month of Production A: Week of Production 7: Day of Production c4: Frequency ●: Input Port

Year/Month Code											
Year	Month	Code	Year	Month	Code	Year	Month	Code	Year	Month	Code
2020 2024 2028	1	a	2021 2025 2029	1	n	2022 2026 2030	1	A	2023 2027	1	N
	2	b		2	p		2	B		2	P
	3	c		3	q		3	C		3	Q
	4	d		4	r		4	D		4	R
	5	e		5	s		5	E		5	S
	6	f		6	t		6	F		6	T
	7	g		7	u		7	G		7	U
	8	h		8	v		8	H		8	V
	9	j		9	w		9	J		9	W
	10	k		10	x		10	K		10	X
	11	l		11	y		11	L		11	Y
	12	m		12	z		12	M		12	Z

Week Code	
Week	Code
1	A
2	B
3	C
4	D
5	E

Day Code	
Day	Code
Monday	1
Tuesday	2
Wednesday	3
Thursday	4
Friday	5
Saturday	6
Sunday	7

5mm SMD ISOLATOR

RF component

Provisional

Datasheet No.: DP-B-0060(00)

Date: 2021.04.21

TEMPERATURE RANGE

Operating temperature range : -40~+85°C

Storage temperature range:-40~+125°C

ELECTRICAL CHARACTERISTICS

Parameter	Unit	Frequency (MHz)		Customer Spec			DP Spec		
				Min.	Typ.	Max.	Min.	Typ.	Max.
Frequency range	MHz	4800	5000	4800		5000	4800		5000
Insertion Loss	dB	-	-			-			1.30
Isolation	dB	-	-	-			9		
Return Loss	dB	-	-	-			9		
Power Handling (Average)	W					5			5
Power Handling (Peak)	W					-			10
Reflection power	W					-			2
Characteristic Impedance (ohm)	Ω				50			50	
Case Style	-				SMD			SMD	

5mm SMD ISOLATOR

RF component

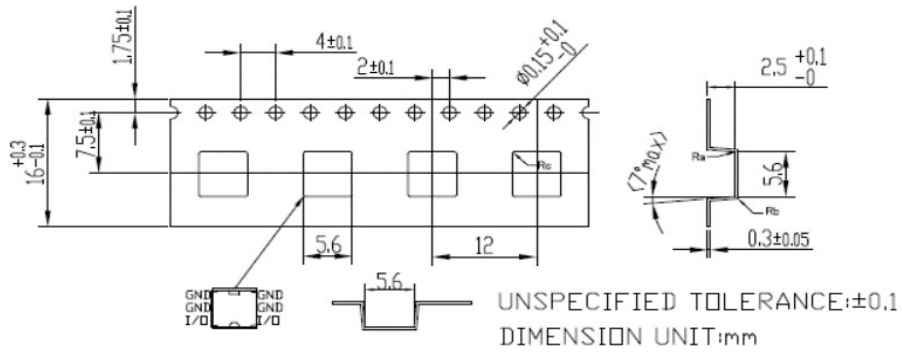
Provisional

Datasheet No.: DP-B-0060(00)
 Date: 2021.04.21

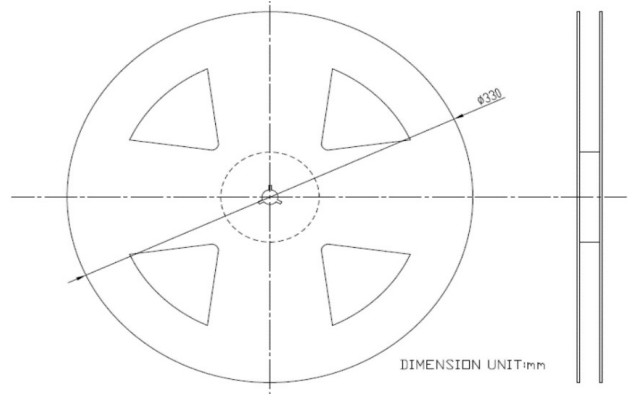
PACKING STYLE

REEL DIMENSIONS

Reel side \longrightarrow Pulling side



TAPE DIMENSIONS



PACKAGE QUANTITY

1000 PCS/REEL

5mm SMD ISOLATOR

RF component

ProvisionalDatasheet No.: DP-B-0060(00)Date: 2021.04.21

Revision Records

Rev.	Date	PIC	Change item	Reasons for change
1	2021.04.21	Bill	New regulations	
2				
3				
4				
5				
6				
7				
8				