

5mm SMD ISOLATOR

RF component

Datasheet No.: DP-A-0020(03)
Date: 2021.01.22

Customer:

Celte

Product Name:

DP-IL0520A3600-J1

DP-IL0520B3600-J1

Customer P/N:



GuangdongDapuTelecomTechnologyCo.,Ltd Bldg13-16,.N.Ind.Zone,SSLIndustry
http://www.dptel.com

Park,DongguanCity,Guangdong

Province,PRChina

TEL:0086-0769-88010888

FAX:0086-0769-81800098

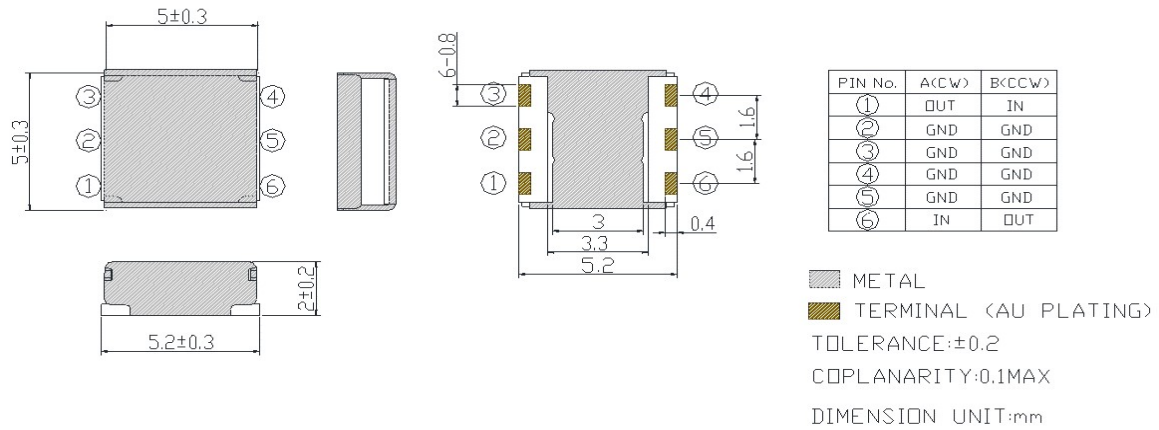
Approved	Checked	Designer
Patrick	Nina	Emma

5mm SMD ISOLATOR

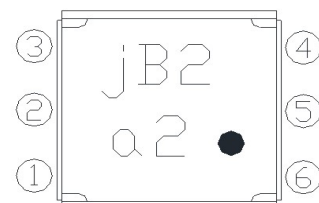
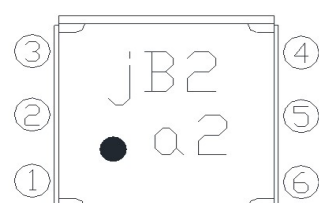
RF component

Datasheet No.: DP-A-0020(03)
 Date: 2021.01.22

MECHANICAL SPECIFICATION



MARKING

DP-IL0520A3600-J1	DP-IL0520B3600-J1	①/⑥ : Out/In Port ②~⑤: Ground j: Year/ Month of Production B: Week of Production 2: Day of Production ●: Input Port a2: Frequency
Clockwise	CounterClockwise	
		

Year/Month Code											
Year	Month	Code	Year	Month	Code	Year	Month	Code	Year	Month	Code
2020 2024 2028	1	a	2021 2025 2029	1	n	2022 2026 2030	1	A	2023 2027	1	N
	2	b		2	p		2	B		2	P
	3	c		3	q		3	C		3	Q
	4	d		4	r		4	D		4	R
	5	e		5	s		5	E		5	S
	6	f		6	t		6	F		6	T
	7	g		7	u		7	G		7	U
	8	h		8	v		8	H		8	V
	9	j		9	w		9	J		9	W
	10	k		10	x		10	K		10	X
	11	l		11	y		11	L		11	Y
	12	m		12	z		12	M		12	Z

Week Code	
Week	Code
1	A
2	B
3	C
4	D
5	E

Day Code	
Day	Code
Monday	1
Tuesday	2
Wednesday	3
Thursday	4
Friday	5
Saturday	6
Sunday	7

5mm SMD ISOLATOR

RF component

Datasheet No.: DP-A-0020(03)
 Date: 2021.01.22

TEMPERATURE RANGE

Operating temperature range : -35~+100°C

Storage temperature range:-40~+125°C

ELECTRICAL CHARACTERISTICS

Parameter	Unit	Frequency (MHz)		Customer Spec			DP Spec			
				Min.	Typ.	Max.	Min.	Typ.	Max.	
Frequency range	MHz	3400		3800	3400		3800	3400		3800
Insertion Loss	-40 to 100°C	dB	-	-			1.00			1.30
	-35 to 85°C	dB	-	-			1.00			1.20
	85 to 100°C	dB	-	-			1.00			1.30
	-40 to -35°C	dB	-	-			1.00			1.20
Isolation	-40 to 100°C	dB	-	-	12			9		
	-35 to 85°C	dB	-	-	12			9		
	85 to 100°C	dB	-	-	12			9		
	-40 to -35°C	dB	-	-	12			9		
Return Loss	-40 to 100°C	dB	-	-	12			10		
	-35 to 85°C	dB	-	-	12			10		
	85 to 100°C	dB	-	-	12			10		
	-40 to -35°C	dB	-	-	12			10		
Forward power handling (Average)	W						2~5			5
Forward power handling (Peak)	W						20~50			50
Reverse power handling	W									2

NOTES

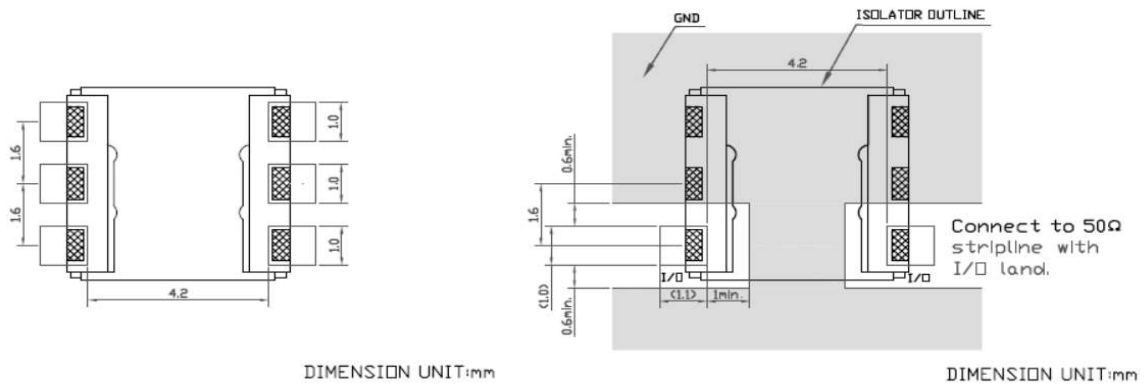
- 1.Recommend to keep 30mm above when mounted with other magnetic products.
- 2.ROHS compliance.
- 3.Isolator's characteristics are guaranteed at conditions listed at above table and it's operating temperature range.

5mm SMD ISOLATOR

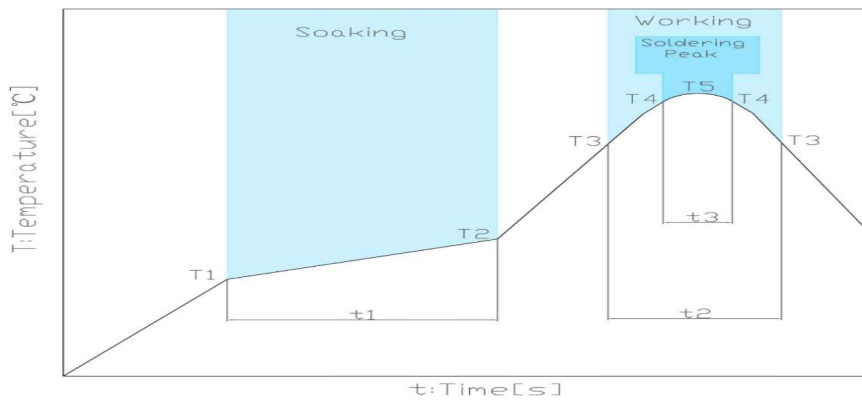
RF component

Datasheet No.: DP-A-0020(03)
 Date: 2021.01.22

RECOMMENDED LAND PATTERN



RECOMMENDED REFLOW PROFILE



Soaking			Working		Soldering Peak		
Temp.	Temp.	Time	Temp.	Time	Temp.	Time	Temp.
T1	T2	t1	T3	t2	T4	t3	T5
150°C	180°C	60 to 120s	230°C	30 to 60s	250°C	within 10s	260°C max.

5mm SMD ISOLATOR

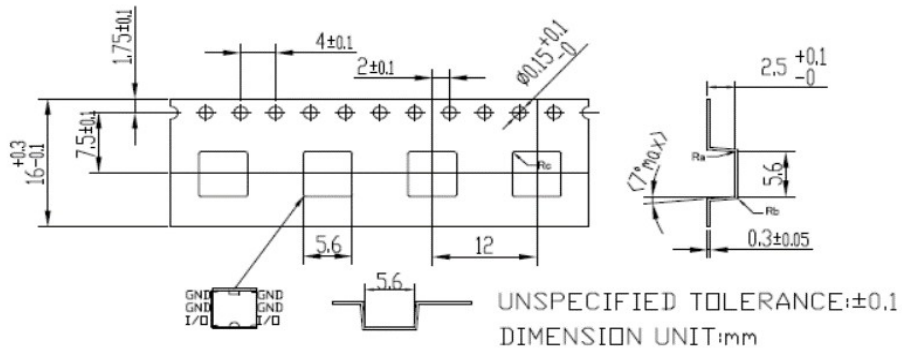
RF component

Datasheet No.: DP-A-0020(03)
 Date: 2021.01.22

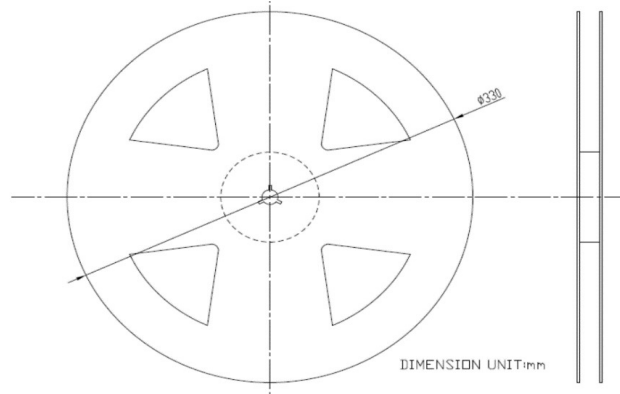
PACKING STYLE

REEL DIMENSIONS

Reel side \longrightarrow Pulling side



TAPE DIMENSIONS



PACKAGE QUANTITY

1000 PCS/REEL

5mm SMD ISOLATOR

RF component

Datasheet No.: DP-A-0020(03)

Date: 2021.01.22

Revision Records

Rev.	Date	PIC	Change item	Reasons for change
1	2020.12.25	Nina	New regulations	
2	2020.12.28	Nina	P3 Add: 1. ROHS standard 2.-35 to 85°C, '85 to 100°C,-40 to -35°C Spec	
3	2021.01.18	Nina	P3 Add: Reverse power handling: 2WMax	
4	2021.01.22	Nina	Marking Standardization	
5				
6				
7				
8				