

Travelling Merchant: _____

DATASHEET

Standard: DP7M18432001

Plot			The Label
Drew	Audited	Approved	Stamp, please! Thanks!
Date: 2018.12.20			

Guangdong Dapu Telecom Technology Co.,Ltd

Bldg13-16,.N.Ind.Zone,SSL Industry Park, Dongguan City, Guangdong Province, China

TEL: 0086-0769-88010888 FAX: 0086-0769-81800098

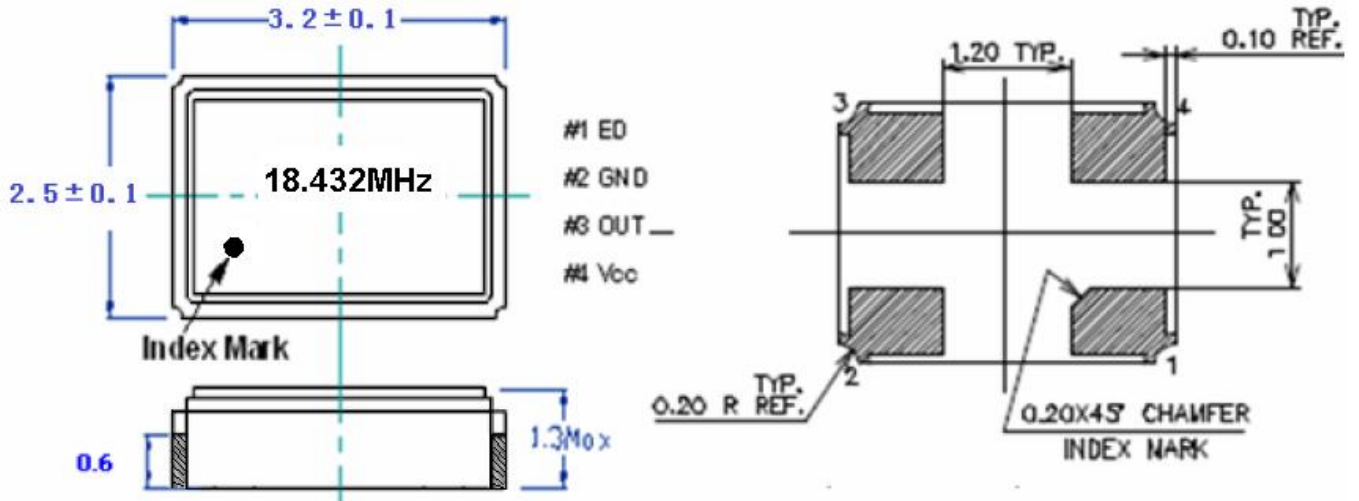


1、 Electrical Parameters

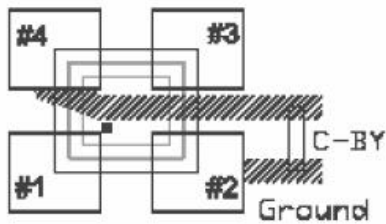
MODEL: DP7M18432001							
No.	Parameters	SYM.	Electrical Spec.				Notes
			Min.	Typ.	Max.	Units	
1	Nominal Frequency	FL	18.43200			MHz	
2	Oscillation Mode	OT	Fundamental			-	
3	Output driving ability	CL/CO	15			pF	
4	Frequency Tolerance	FT	-30		+30	$\times 10^{-6}$	Inclusive of operating temperature range
5	Stability	FT	-30		+30	$\times 10^{-6}$	Supply Voltage and load
6	Operating Temperature	-	-30	~	+30	°C	
7	Supply Voltage	V _{cc} /V _{dd}	2.97	3.3	3.63	V	
8	Aging	-	3			$\times 10^{-6}$	per Year
9	Fan out type	LT	CMOS				
10	Symmetry	DT/SY	45		55		
11	Rise/Fall Time	rf			10	ns	
12	Current consumption	-		-	20	mA	
13	Working Temperature Range	TR	-40		+85	°C	
14	Storage Temperature Range	-	-55	~	+125	°C	
15	Start-up Time		10			msec	
16	Output Voltage Vol				0.33	V	
17	Output Voltage Voh		2.97			V	
18	E/D(PIN#1)		Enable				



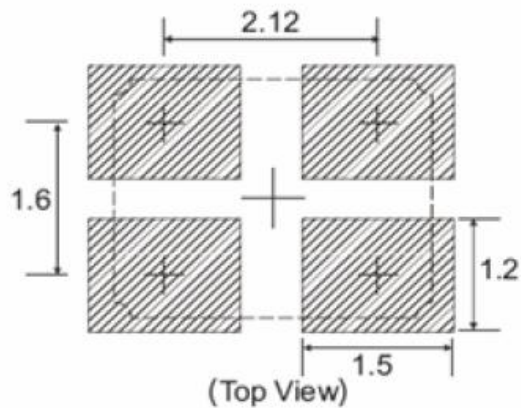
2、Mechanical Structure(mm)



Suggest land pattern



Connection
(Top View)



DAPU

