

# 5mm SMD ISOLATOR

RF component

Datasheet No.: DP-B-0072(01)  
Date: 2021.06.07

## Customer:

Celte

## Product Name:

DP-IL0520A742-J1

DP-IL0520B742-J1

## Customer P/N:



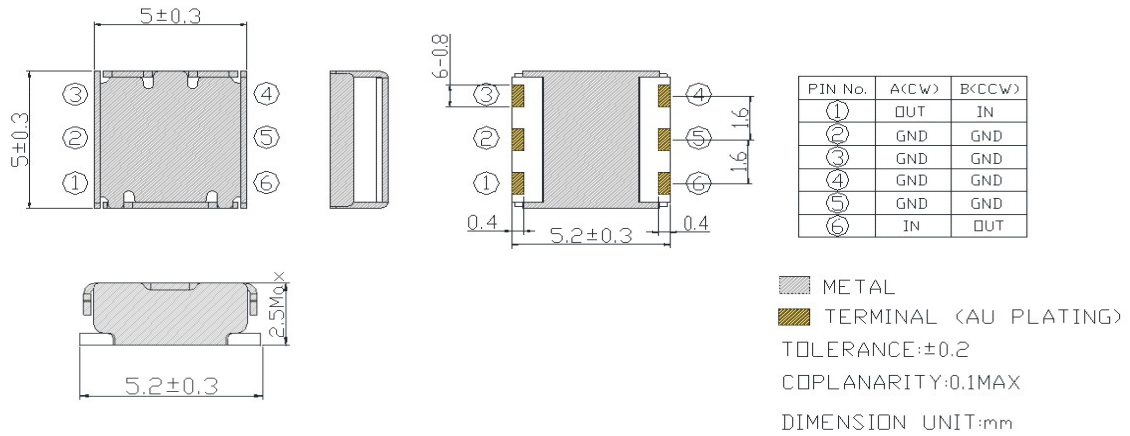
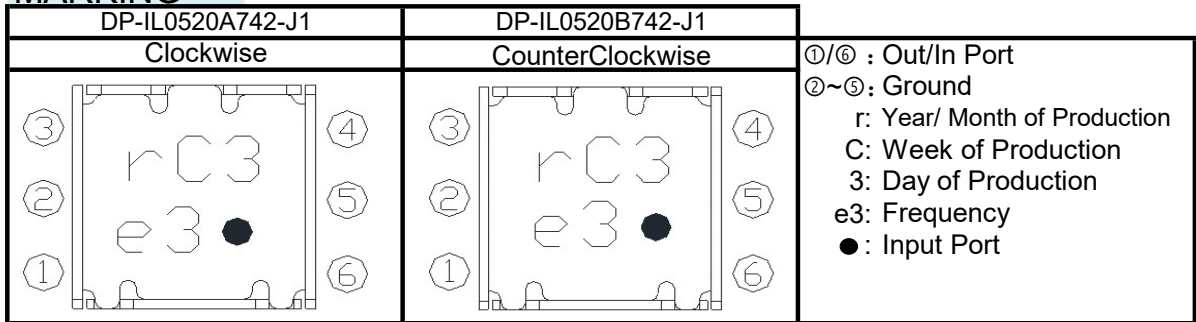
GuangdongDapuTelecomTechnologyCo.,Ltd Bldg13-16,.N.Ind.Zone,SSLIndustry  
http://www.dptel.com Park,DongguanCity,Guangdong

Province,PRChina  
TEL:0086-0769-88010888  
FAX:0086-0769-81800098

Approved	Checked	Designer
Patrick	Nina	Bill

# 5mm SMD ISOLATOR

RF component

 Datasheet No.: DP-B-0072(01)  
 Date: 2021.06.07
**MECHANICAL SPECIFICATION**

**MARKING**


Year/Month Code											
Year	Month	Code	Year	Month	Code	Year	Month	Code	Year	Month	Code
2020 2024 2028	1	a	2021 2025 2029	1	n	2022 2026 2030	1	A	2023 2027	1	N
	2	b		2	p		2	B		2	P
	3	c		3	q		3	C		3	Q
	4	d		4	r		4	D		4	R
	5	e		5	s		5	E		5	S
	6	f		6	t		6	F		6	T
	7	g		7	u		7	G		7	U
	8	h		8	v		8	H		8	V
	9	j		9	w		9	J		9	W
	10	k		10	x		10	K		10	X
	11	l		11	y		11	L		11	Y
	12	m		12	z		12	M		12	Z

Week Code	
Week	Code
1	A
2	B
3	C
4	D
5	E

Day Code	
Day	Code
Monday	1
Tuesday	2
Wednesday	3
Thursday	4
Friday	5
Saturday	6
Sunday	7

# 5mm SMD ISOLATOR

RF component

Datasheet No.: DP-B-0072(01)  
 Date: 2021.06.07

## TEMPERATURE RANGE

Operating temperature range : -40~+85°C

Storage temperature range:-40~+125°C

## ELECTRICAL CHARACTERISTICS

Parameter	Unit	Frequency (MHz)		Customer Spec			DP Spec		
				Min.	Typ.	Max.	Min.	Typ.	Max.
Frequency range	MHz	698	787	698		787	698		787
Insertion Loss	dB	-	-			1.30			1.30
Isolation	dB	-	-	11			11		
Return Loss	dB	-	-	11			11		
Frequency range	MHz	703	748	703		748	703		748
Insertion Loss	dB	-	-			1.00			1.00
Isolation	dB	-	-	13			13		
Return Loss	dB	-	-	13			13		
IMD3 2x25dBm, span 5MHz	dBc	-	-			-60			-55
IMD3 typical	dBc	-	-			-65			-58
Power Handling - Average	W					5			5
Power Handling - Peak	W					10			10
Reverse Power	W					2			2
Characteristic Impedance (ohm)	Ω				50			50	
Case Style	-				SMD			SMD	

## NOTES

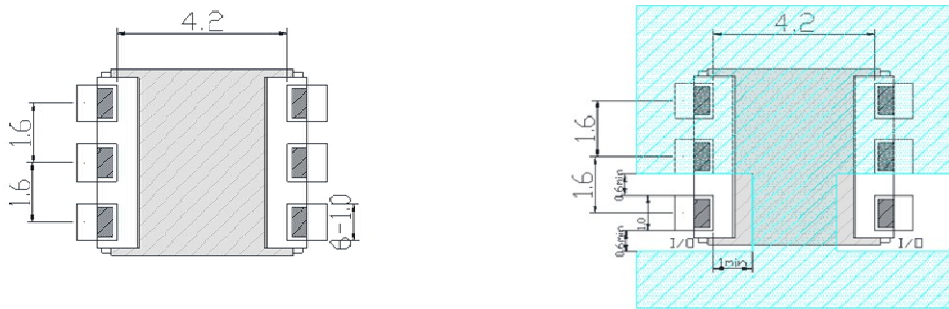
- 1.Recommend to keep 30mm above when mounted with other magnetic products.
- 2.ROHS compliance.
- 3.Isolator's characteristics are guaranteed at conditions listed at above table and it's operating temperature range.

# 5mm SMD ISOLATOR

RF component

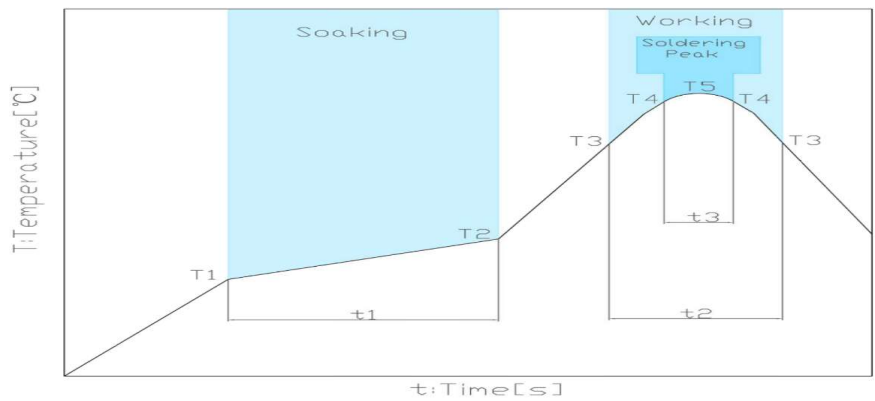
Datasheet No.: DP-B-0072(01)  
 Date: 2021.06.07

## RECOMMENDED LAND PATTERN



DIMENSION UNIT:mm

## RECOMMENDED REFLOW PROFILE



Soaking			Working		Soldering Peak		
Temp.	Time		Temp.	Time	Temp.	Time	Temp.
T1	T2	t1	T3	t2	T4	t3	T5
150°C	180°C	60 to 120s	230°C	30 to 60s	250°C	within 10s	260°C max.

# 5mm SMD ISOLATOR

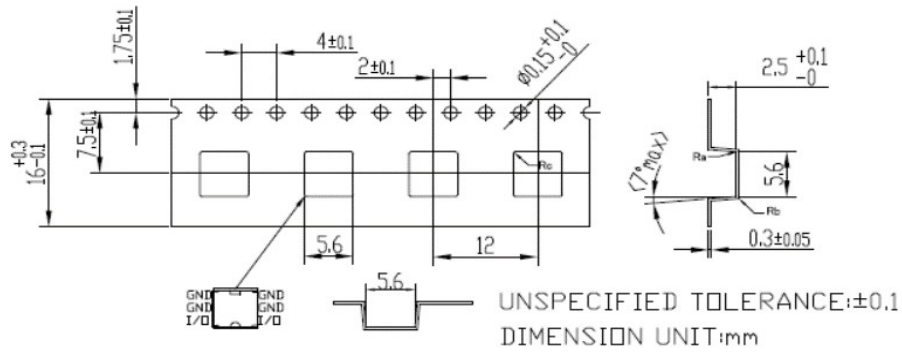
RF component

Datasheet No.: DP-B-0072(01)  
 Date: 2021.06.07

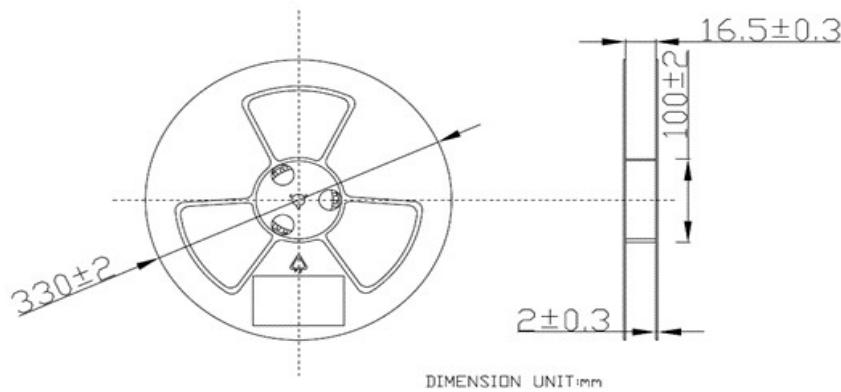
## PACKING STYLE

### REEL DIMENSIONS

Reel side  $\longrightarrow$  Pulling side



### TAPE DIMENSIONS



### PACKAGE QUANTITY

1000 PCS/REEL

# 5mm SMD ISOLATOR

RF component

Datasheet No.: DP-B-0072(01)  
 Date: 2021.06.07

## Revision Records

Rev.	Date	PIC	Change item	Reasons for change
1	2021.05.19	Nina	New regulations	
2	2021.06.07	Nina	Specification change: Insertion Loss : 1.5dB→1.3dB Isolation: 9dB→11dB Return Loss: 8dB→11dB height: 2±0.2→2.5Max Add: IMD/peak power /703~748MHzSpec	Customer requirements
3				
4				
5				
6				
7				
8				