

Travelling Merchant: \_\_\_\_\_

# DATASHEET

Standard: V754-A312-61.44MHz

Plot			The Label
Drew	Audited	Approved	Stamp, please! Thanks!
孙伟蒸	王巍巍	刘搏	
Date:			

**Dongguan Dapu Telecom Technology Co.,Ltd**

Bldg13,.N.Ind.Zone,SSL Industry Park, Dongguan City, Guangdong Province, China

TEL: 0086-0769-88010888 FAX: 0086-0769-81800098



## The Parameter of Product

MODEL: Y754-A312-61.44MHz

### 1. Output

1.1. Frequency	61.44MHz
1.2. Waveform	HCMOS
	$V_{OH} \geq 90\%$ , $V_{OL} \leq 10\%$
1.3. Duty cycle	40%~60% @50%
1.4. Rise/Fall time(10%~90% )	$\leq 5ns$
1.5. Load	15pF

### 2. Frequency Stabilities

2.1. Tolerance vs. Temperature Range	$\leq \pm 2.5 \times 10^{-5}$	@ -40°C ~ +85°C ref. to 25°C
2.2. Initial Tolerance	$\leq \pm 1.5 \times 10^{-5}$	@ 25°C , VC=1.65V
2.3. Stability vs. Supply Voltage	$\leq \pm 3.0 \times 10^{-6}$	@ $3.3 \times (1 \pm 0.05)V_{dc}$
2.4. Stability vs. Load	$\leq \pm 1.0 \times 10^{-6}$	@ $15 \times (1 \pm 0.05) pF$
2.5. Aging	$\leq \pm 3.0 \times 10^{-6}$	/ first year

### 3. Power Supply

3.1. Operating Voltage	$3.3 \times (1 \pm 0.05)V_{dc}$
------------------------	---------------------------------

### 4. Current

4.1. Operating Current	10mA(Typical)
------------------------	---------------

### 5. Voltage Control Characteristics

5.1. Control Voltage = 0V	-60ppm~-160ppm
5.2. Control Voltage = 1.65 V	-15ppm~+15ppm
5.3. Control Voltage = 3.3V	+60ppm~+160ppm
5.4. Linearity	$\leq 20\%$
5.5. Slope	Positive

### 6. Phase Noise (Typical)

6.1. 10Hz	-80dBc/Hz
6.2. 100Hz	-110dBc/Hz
6.3. 1KHz	-130dBc/Hz
6.4. 10KHz	-140dBc/Hz
6.5. 100KHz	-140dBc/Hz

### 7. Environmental Conditions

7.1. Operable Temperature Range	-40°C to +85°C
7.2. Storage Temperature Range	-55°C to +125°C



7.3. Vibration

Test Condition: 0.75mm ;acceleration:10g;50Hz~  
2000Hz, one cycle per 30 min, test 2 hour. (3 times for  
each 3 directions X , Y , Z)

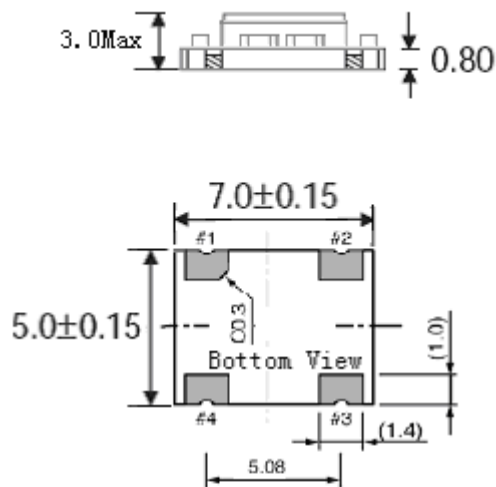
7.4. Shock

100g; 11ms; half sine wave (3 times for each 3  
directions X , Y, Z ),IEC 68-2-27 Test Ea/Severity 50A.

7.5. Drop

Test Condition: free drop on steel-made surface or rigid  
planes from a height of 100cm,IEC 68-2-32.

8. Mechanical Structure(mm)

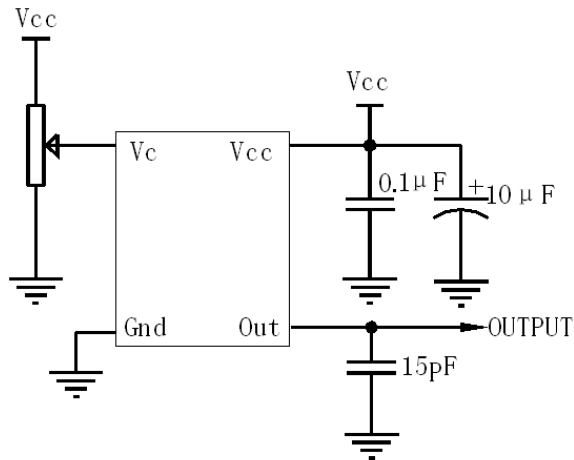


Pin Connections

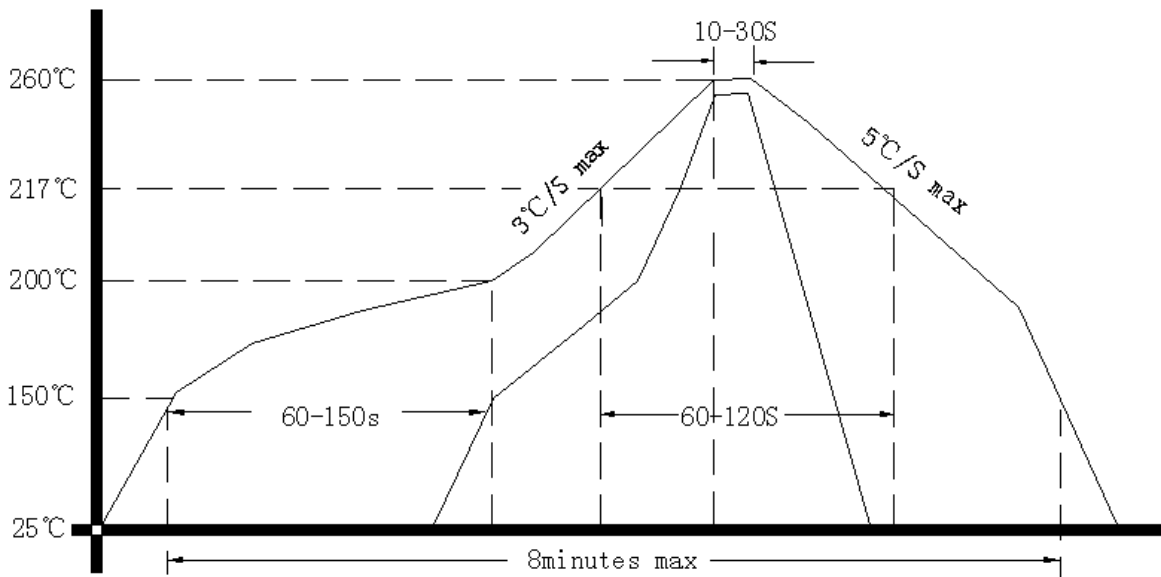
#1	Vc
#2	GND
#3	Output
#4	Vcc



9. Suggested output load configuration



10. Reflow Soldering Curve (RoHS)



11. Package: Tape & Reel (mm)

