

Travelling Merchant: _____

DATASHEET

Standard: V754-A312-61.44MHz

Plot			The Label
Drew	Audited	Approved	Stamp, please! Thanks!
孫偉蒸	王巍巍	劉搏	
Date:			

Dongguan Dapu Telecom Technology Co.,Ltd

Bldg13,.N.Ind.Zone,SSL Industry Park, Dongguan City, Guangdong Province, China

TEL: 0086-0769-88010888 FAX: 0086-0769-81800098



The Parameter of Product

MODEL: Y754-A312-61.44MHz

1. Output

- 1.1. Frequency 61.44MHz
- 1.2. Waveform HCMOS
 $V_{OH} \geq 90\%$, $V_{OL} \leq 10\%$
- 1.3. Duty cycle 40%~60% @50%
- 1.4. Rise/Fall time(10%~90%) $\leq 5ns$
- 1.5. Load 15pF

2. Frequency Stabilities

- 2.1. Tolerance vs. Temperature Range $\leq \pm 2.5 \times 10^{-5}$ @-40°C ~ +85°C ref. to 25°C
- 2.2. Initial Tolerance $\leq \pm 1.5 \times 10^{-5}$ @25°C , VC=1.65V
- 2.3. Stability vs. Supply Voltage $\leq \pm 3.0 \times 10^{-6}$ @3.3×(1±0.05)Vdc
- 2.4. Stability vs. Load $\leq \pm 1.0 \times 10^{-6}$ @15×(1±0.05) pF
- 2.5. Aging $\leq \pm 3.0 \times 10^{-6}$ / first year

3. Power Supply

- 3.1. Operating Voltage 3.3×(1±0.05)Vdc

4. Current

- 4.1. Operating Current 10mA(Typical)

5. Voltage Control Characteristics

- 5.1. Control Voltage = 0V -60ppm~-160ppm
- 5.2. Control Voltage = 1.65 V -15ppm~+15ppm
- 5.3. Control Voltage = 3.3V +60ppm~+160ppm
- 5.4. Linearity $\leq 20\%$
- 5.5. Slope Positive

6. Phase Noise (Typical)

- 6.1. 10Hz -80dBc/Hz
- 6.2. 100Hz -110dBc/Hz
- 6.3. 1KHz -130dBc/Hz
- 6.4. 10KHz -140dBc/Hz
- 6.5. 100KHz -140dBc/Hz

7. Environmental Conditions

- 7.1. Operable Temperature Range -40°C to +85°C
- 7.2. Storage Temperature Range -55°C to +125°C



7.3. Vibration

Test Condition: 0.75mm ;acceleration:10g;50Hz~
2000Hz, one cycle per 30 min, test 2 hour. (3 times for
each 3 directions X , Y , Z)

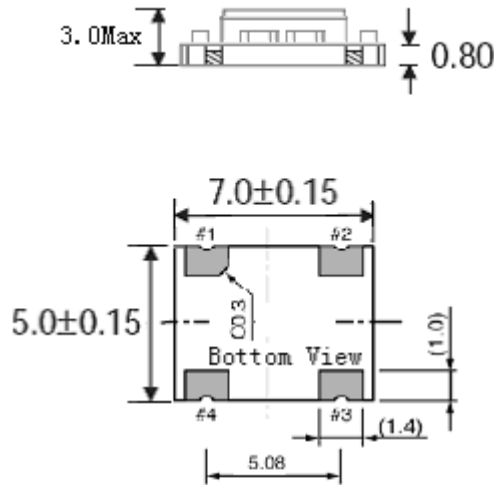
7.4. Shock

100g; 11ms; half sine wave (3 times for each 3
directions X , Y , Z),IEC 68-2-27 Test Ea/Severity 50A.

7.5. Drop

Test Condition: free drop on steel-made surface or rigid
planes from a height of 100cm,IEC 68-2-32.

8. Mechanical Structure(mm)

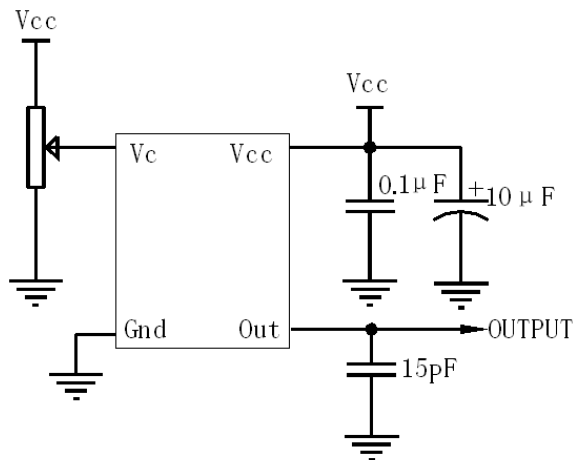


Pin Connections

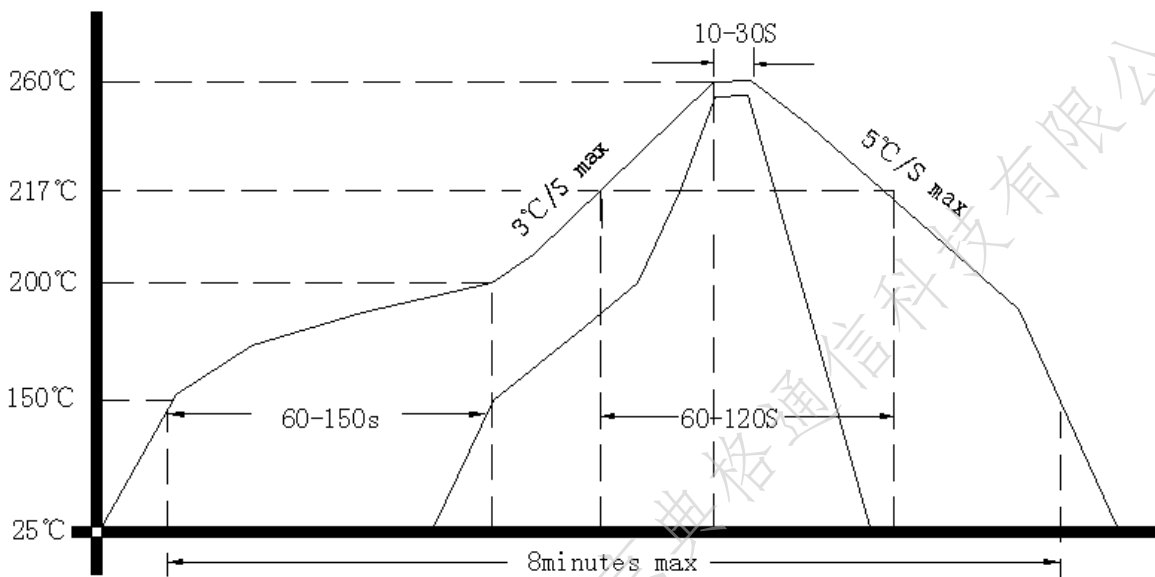
#1	Vc
#2	GND
#3	Output
#4	Vcc



9. Suggested output load configuration



10. Reflow Soldering Curve (RoHS)



11. Package: Tape & Reel (mm)

