

Travelling Merchant: \_\_\_\_\_

# DATASHEET

Standard: **T75B-F319-40.00MHz-B**

P/N: \_\_\_\_\_

|                  |         |          |                        |
|------------------|---------|----------|------------------------|
| Plot             |         |          | The Label              |
| Drew             | Audited | Approved | Stamp, please! Thanks! |
|                  |         |          |                        |
| Date: 2019.04.12 |         |          |                        |

## Guangdong Dapu Telecom Technology Co.,Ltd

Bldg13-16,.N.Ind.Zone,SSL Industry Park, Dongguan City, Guangdong Province, China

TEL: 0086-0769-88010888 FAX: 0086-0769-81800098



### Table of amendment

| Version | Revision contents | Prepared by  | Revised date |
|---------|-------------------|--------------|--------------|
| 1.0     | The first issued  | <i>Amway</i> | 2019.04.12   |
|         |                   |              |              |
|         |                   |              |              |
|         |                   |              |              |
|         |                   |              |              |
|         |                   |              |              |
|         |                   |              |              |
|         |                   |              |              |
|         |                   |              |              |
|         |                   |              |              |
|         |                   |              |              |
|         |                   |              |              |
|         |                   |              |              |
|         |                   |              |              |
|         |                   |              |              |



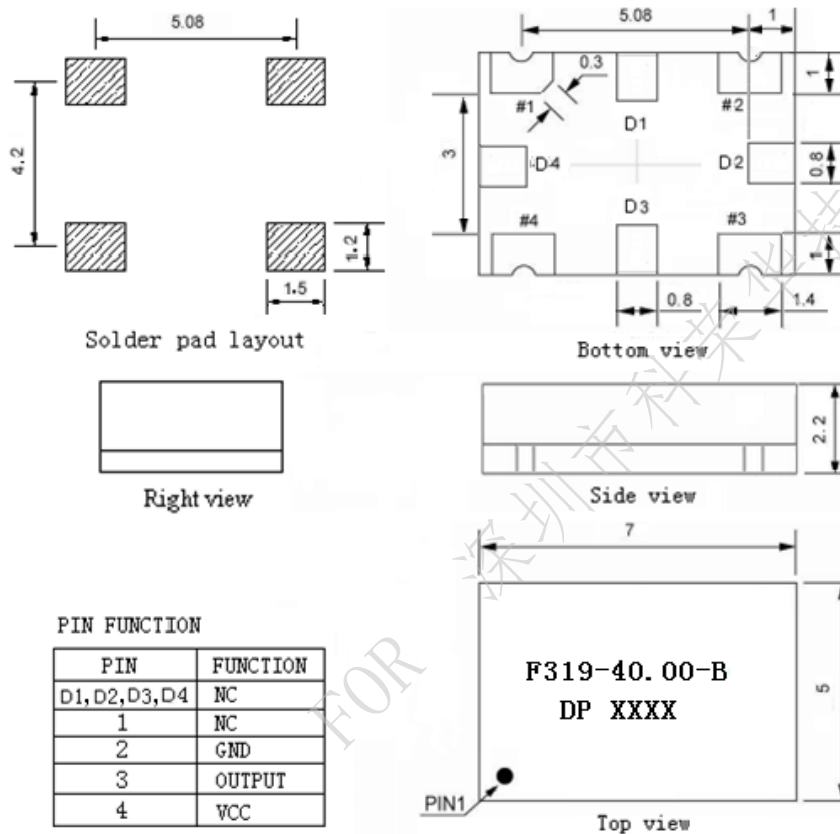
## 1. Electrical Parameters

| MODEL: T75B-F319-40.00MHZ-B |  |            |      |       |                  |  |
|-----------------------------|--|------------|------|-------|------------------|--|
| Item                        | Description  | Parameters |      |       | Unit             | Test Condition   |
|                             |  | Min.       | Typ. | Max.  |                  |  |
| Output                      | Frequency  | 40.00      |      |       | MHz              |  |
|                             | Output Waveform  | HCMOS      |      |       |                  |  |
|                             | Output Low Voltage   |            |      | 0.4   | V                | $V_{cc}=3.3V, O_{load}=15\text{ pF}$   |
|                             | Output High Voltage  | 2.4        |      |       | V                | $V_{cc}=3.3V, O_{load}=15\text{ pF}$   |
|                             | Duty Cycle   | 45         | 50   | 55    | %                | @50%   |
|                             | Rise / Fall Time<br>(10%~90%)                                |            |      | 8     | ns               | @25°C  |
|                             | Load   | 15         |      |       | pF               |  |
| Frequency<br>Stabilities    | Frequency<br>Tolerance vs.<br>Operating<br>Temperature Range | -0.5       |      | +0.5  | $\times 10^{-6}$ | $T_A$ varied from -40°C to 85°C, measurement referenced to frequency observed with $T_A = 25^\circ\text{C}, V_{cc}=3.3V, O_{load}=15\text{ pF}$ , temperature variable speed less than 2°C per minute. |
|                             | Initial Frequency<br>Tolerance                               | -0.5       |      | +0.5  | $\times 10^{-6}$ | Measurement referenced to frequency observed with $T_A=25^\circ\text{C}, V_{cc}=3.3V$ within 30 days after ex-works.   |
|                             | Frequency Tolerance<br>vs. Supply Voltage                    | -0.2       |      | +0.2  | $\times 10^{-6}$ | measurement referenced to frequency observed $T_A=25^\circ\text{C}, V_{cc}$ varied from 3.13V to 3.47V, and $O_{Load}=15\text{ pF}$ .  |
|                             | Frequency Tolerance<br>vs. Load                              | -0.2       |      | +0.2  | $\times 10^{-6}$ | 5% load change measurement referenced to frequency observed with $T_A=25^\circ\text{C}, V_{cc}=3.3V, O_{Load}=15\text{ pF}$ .  |
|                             | Aging Tolerance<br>Per Day                                   | -0.02      |      | +0.02 | $\times 10^{-6}$ | $T_A=25^\circ\text{C}, V_{cc}=3.3V$ , and after 1h of operation.   |
|                             | Aging Tolerance<br>1 Year                                    | -1         |      | +1    | $\times 10^{-6}$ |  |
| Power<br>Supply             | Current<br>Consumption                                       |            |      | 10    | mA               | @25°C, $V_{cc}=3.3V, O_{Load}=15\text{ pF}$ .  |
|                             | Supply Voltage   | 3.13       | 3.3  | 3.47  | V                |  |



|                          |   |   |      |      |        |      |
|--------------------------|---|---|------|------|--------|------|
| Phase Noise              | Phase Noise @25°C   |   | -130 | -125 | dBc/Hz | 1KHz |
| Environmental Conditions | Operable Temperature  | -40   |      | +85  | °C     |      |
|                          | Storage Temperature   | -55   |      | +105 | °C     |      |
|                          | ESD Level   | Human Body Model,class2: 2000V to 4000V; ANSI/ESDA/JEDEC JS-001-2010.   |      |      |        |      |
|                          |   | Machine Model, class B: 200V to 400V; ANSI/ESDA/JEDEC JS-001-2010.  |      |      |        |      |
|                          | Moisture Sensitivity Level  | Level 2.  |      |      |        |      |
|                          | Vibration   | Test Condition: 0.75mm ;acceleration:10g;10Hz~2000Hz, one cycle per 30 min, test 2 hour. (3 times for each 3 directions X ,Y , Z ).IEC 68-2-06 Test Fc. |      |      |        |      |
| Shock                    | 100g; 6ms; half sine wave (3 times for each 3 directions X ,Y , Z ),IEC 68-2-27 Test Ea/Severity 50A. |   |      |      |        |      |

## 2. Mechanical Structure(mm)



**Note1:** Tolerance  $\pm 0.2\text{mm}$  without mark

**Note2:** The first two xx representative: week

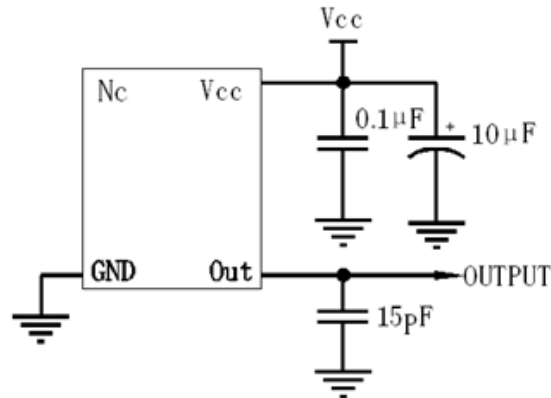
After two xx representative: year

**Note3:** Referential Weight 0.2g

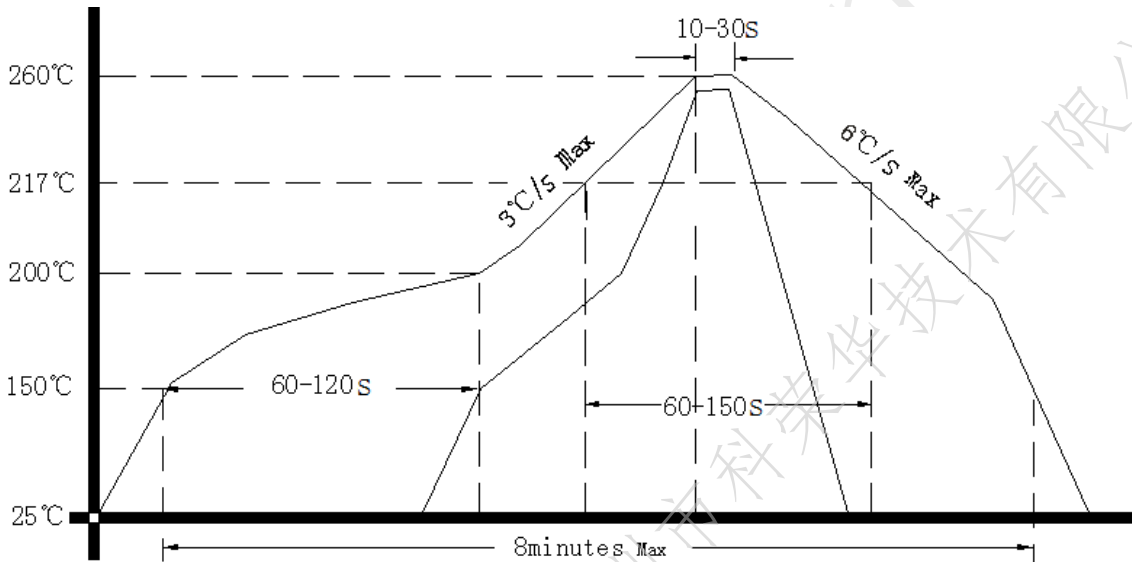
**Note4:** NC is not connect



### 3. Test circuit



### 4. Reflow Soldering Curve (RoHS)



### 5. Package: Tape & Reel (mm)

