

Travelling Merchant: _____

DATASHEET

Standard: DP6U307200022PZ75NNM30720

Plot			The Label
Drew	Audited	Approved	Stamp, please! Thanks!
Date: 2016.12.28			

Guangdong Dapu Telecom Technology Co.,Ltd

Bldg13-16,.N.Ind.Zone,SSL Industry Park, Dongguan City, Guangdong Province, China

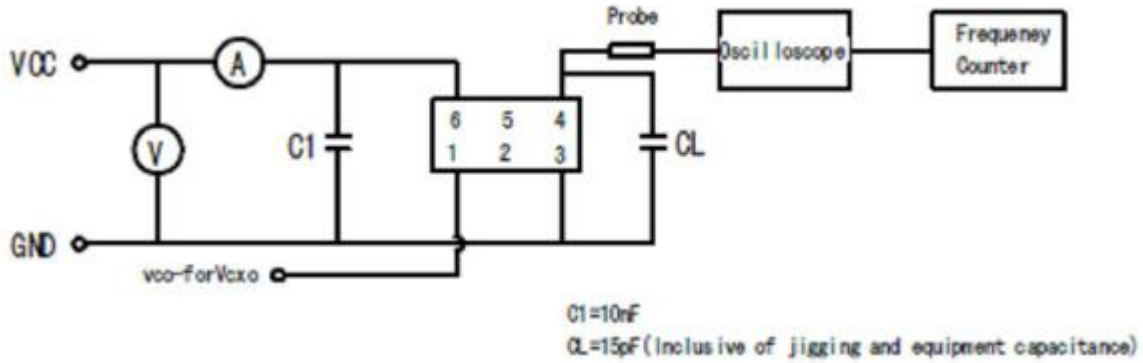
TEL: 0086-0769-88010888 FAX: 0086-0769-81800098

**1、 Electrical Parameters**

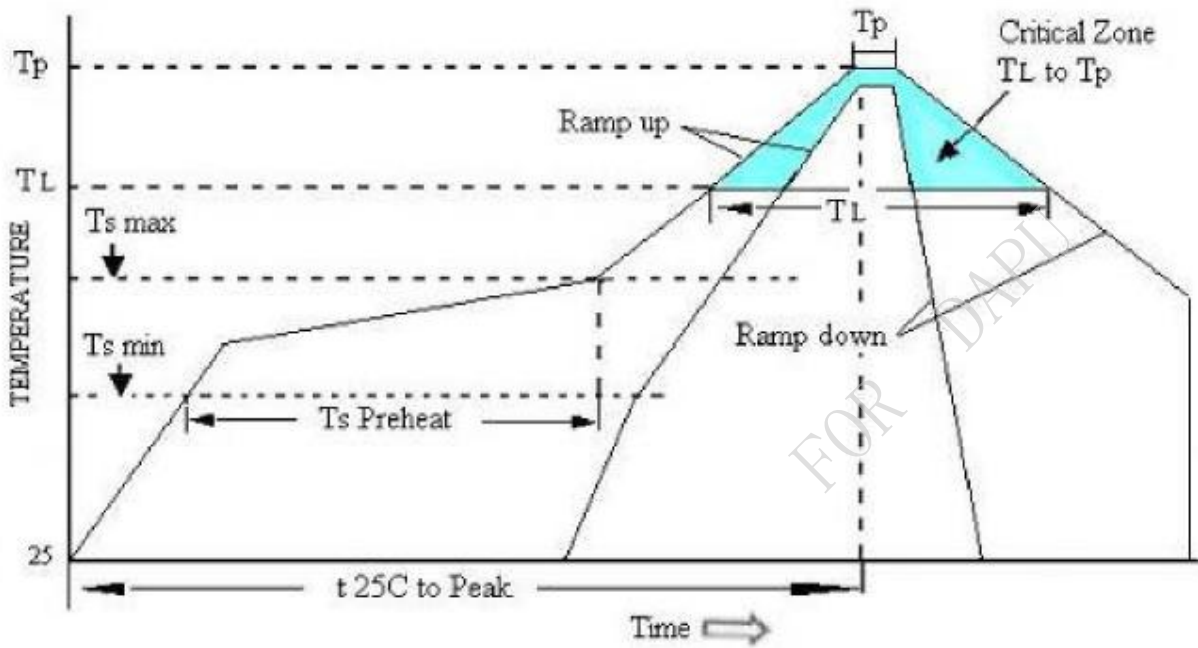
MODEL: DP6U30720002								
No	Parameters		SYM.	Electrical Spec.				Notes
				Min.	Typ.	Max.	Units	
1	Nominal Frequency		FL	30.72			MHz	
2	Output Waveform		-	HCMOS				
3	Mode of Oscillation		OT	Fundamental				
4	Supply Voltage		Vcc	2.97	3.3	3.63	V	
5	Rise/Fall Time (10%~90%)					5	nS	@25°C
6	Output Load			15pF			-	
7	Frequency Stability	vs. Tolerance		-30		+30	$\times 10^{-6}$	Inclusive of Frequency @25°C
8		vs. Temperature		-25		+25	$\times 10^{-6}$	
9	Operating Temperature Range			-40	25	85	°C	
10	Storage Temperature			-55		125	°C	
11	Modulation Band Width		Fc	15	20		KHz	
12	VC Pin Input Impedance			5			MΩ	
13	Aging			-3		+3	$\times 10^{-6}$	1 Year Aging Rate
14				-10		+10	$\times 10^{-6}$	15 Year Aging Rate
15	Current Consumption					8	mA	
16	Output Level Logic 1		Voh	0.9Vdd			V	
17	Output Level Logic 0		Vol			0.1Vdd	V	
18	Duty Cycle			45		55	%	
19	Start Time					1	mS	T0 90% of Final Amplitude
20	Control Voltage		VC	0.15		3.15	V	
21	Pulling Range			± 80			$\times 10^{-6}$	
22	Linearity			-10		+10	%	Vc=0.15 to 3.15 V
23	Phase Jitter		RMS			0.8	pS	12kHz to 20MHz BW
24	Phase Noise	@ 10Hz Offset	-	-	-78	-	dBc/Hz	
25		@ 100Hz Offset	-	-	-110	-		
26		@ 1KHz Offset	-	-	-130	-		
27		@ 10KHz Offset	-	-	-145	-		
28		@ 100KHz Offset	-	-	-151	-		
29		@ 1MHz Offset	-	-	-153	-		



2、 Test Circuit



3、 Reflow Profile



4、 Package: Tape & Reel (mm)

