

Travelling Merchant: \_\_\_\_\_

# DATASHEET

Standard: DP7M12000004

Plot			The Label
Drew	Audited	Approved	Stamp, please! Thanks!
Date:			

**Guangdong Dapu Telecom Technology Co.,Ltd**

Bldg13-16,.N.Ind.Zone,SSL Industry Park, Dongguan City, Guangdong Province, China

TEL: 0086-0769-88010888 FAX: 0086-0769-81800098

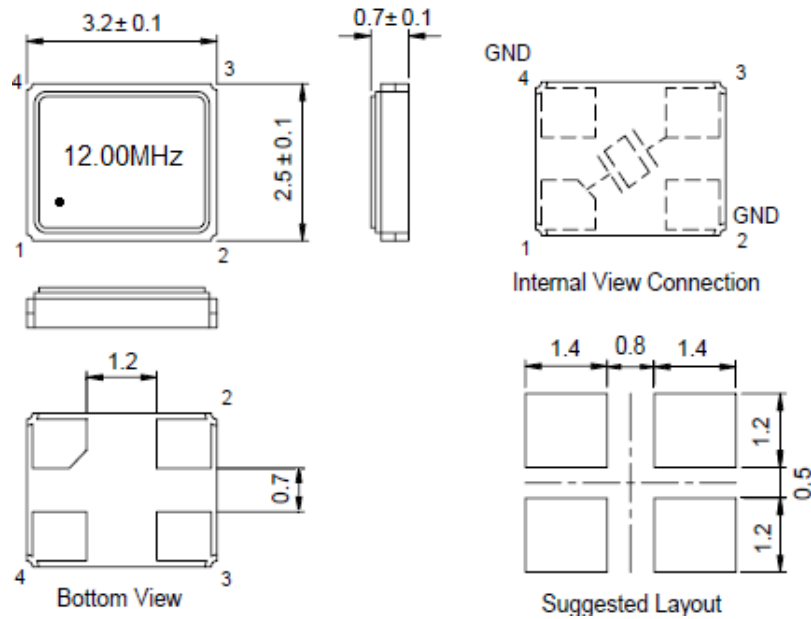


## 1、 Electrical Parameters

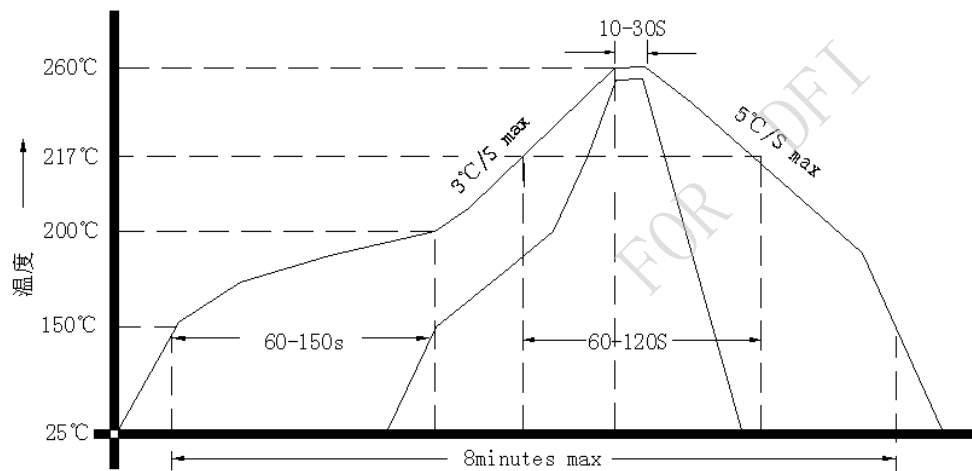
MODEL: DP7M12000004							
No.	Parameters	SYM.	Electrical Spec.				Notes
			Min.	Typ.	Max.	Units	
1	Nominal Frequency	FL	12.00			MHz	
2	Oscillation Mode	-	Fundamental			-	
3	Load Capacitance	CL	20±10%			pF	
4	Frequency Tolerance	-	-30		+30	ppm	at 25°C± 3°C
5	Frequency Stability	-	-30		+30	ppm	Over Operating Temp. Range (Reference 25°C)
6	Operating Temperature	-	-40	~	+85	°C	
7	Aging	-	-2		+2	ppm	1st Year
8	Drive Level	DL	100			uW	
9	Effective Resistance Rr	Rr	-	-	80	Ω	
10	Shunt Capacitance C0	C0	0	-	7	pF	
11	Insulation Resistance	-	500	-	-	MΩ	at DC 100V
12	Storage Temperature Range	-	-40	~	+85	°C	
13	Vibration	Test Condition: 0.75mm ;acceleration:10g;10Hz~2000Hz, one cycle per 30 min, test 2 hour. (3 times for each 3 directions X ,Y , Z), IEC 68-2-06 Test Fc					
14	Shock	100g; 6ms; half sine wave (3 times for each 3 directions X,Y, Z),IEC 68-2-27 Test Ea/Severity 50A.					



## 2、Mechanical Structure(mm)



## 3、Reflow Soldering Curve (RoHS)



## 4、Package: Tape & Reel (mm)

