

Travelling Merchant: _____

DATASHEET

Standard: **T32-S589-10.00MHz**

Plot			The Label
Drew	Audited	Approved	Stamp, please! Thanks!
Date: 2020.08.17			

Guangdong Dapu Telecom Technology Co.,Ltd

Building 5, No.24, Industrial East Road, Songshanhu Park, Dongguan, Guangdong, P.R. China

TEL: 0086-0769-88010888 FAX: 0086-0769-81800098

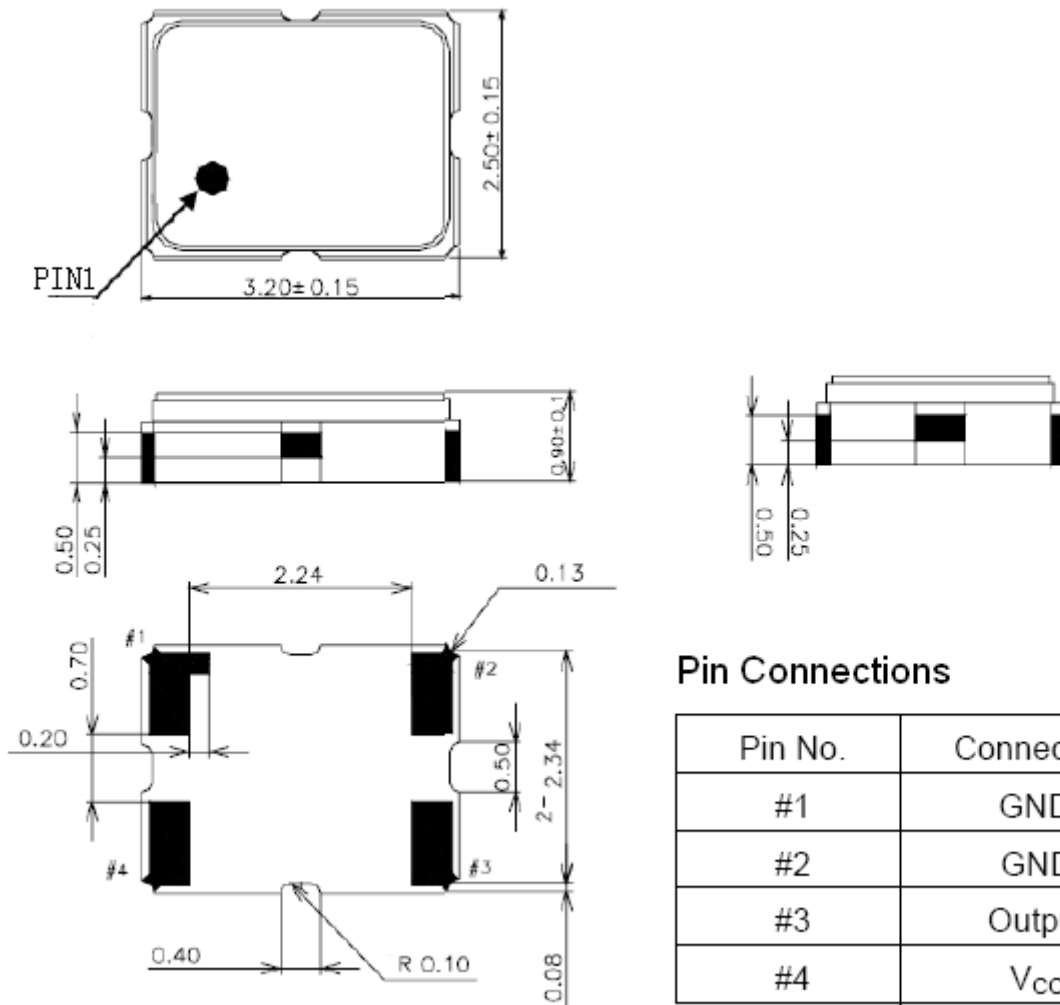


1、 Electrical Parameters

MODEL: T32-S589-10.00MHz							
No	Parameters	SYM.	Electrical Spec.				Notes
			Min.	Typ.	Max.	Units	
1	Nominal Frequency	-	10.00			MHz	
2	Supply Voltage	-	2.66	2.8	2.94	V	
3	Current consumption	-	-	-	1.5	mA	
4	Output Level	-	0.8	-	-	Vp-p	
5	Harmonics	-	-	-	-5	dBc	
6	DLD2	-			2	Ohms	
7	FL	-	-250		250	ppm	
8	RR	-			40	Ohms	
9	C0	-			15	pF	
10	SPDB	-			-10	dB	
11	Output Waveform		Clipped Sine wave			-	
12	Standard Output Load	-	10KΩ/10pF			-	
13	Frequency Stability	vs.Tolerance	-1.5	-	+1.5	$\times 10^{-6}$	@25±3°C Sixty minutes after reflow
14		vs. Temperature	-0.5	-	+0.5	$\times 10^{-6}$	TA= -40~+85° C Ref. to Frequency (TA=+25°
15		vs. Load	-0.2	-	+0.2	$\times 10^{-6}$	
16		vs. Supply Voltage	-0.2	-	+0.2	$\times 10^{-6}$	
17	Operating Temperature Range	-	-40	~	+85	°C	
18	Storage Temperature	-	-40	~	+85	°C	
19	Start Up Time	-	-	-	2.0	ms	@90% of final Vout level
20	Aging	-	-1.0	-	+1.0	$\times 10^{-6}$	PER YEAR (AT 25 °C ± 5°C)
21	Phase Noise	@ 1KHz Offset	-	-	-	-135	dBc/Hz
22	ESD Level	Human Body Model,class2: 2000V to 4000V; ANSI/ESDA/JEDEC JS-001-2010.					
		Machine Model, class B: 200V to 400V; JEDEC JESD22-A115C.					
23	Moisture Sensitivity Level	Level 2.					
24	Vibration	Test Condition: 0.75mm ;acceleration:10g;10Hz~2000Hz, one cycle per 30 min, test 2 hour. (3 times for each 3 directions X ,Y , Z) .IEC 68-2-06 Test Fc.					
25	Shock	100g; 6ms; half sine wave (3 times for each 3 directions X ,Y , Z),IEC 68-2-27 Test Ea/Severity 50A.					



2、 Mechanical Structure(mm)



Pin Connections

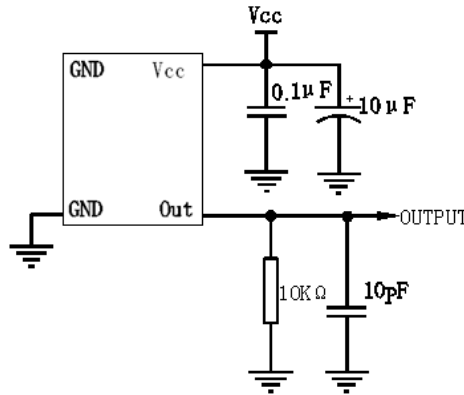
Pin No.	Connection
#1	GND
#2	GND
#3	Output
#4	V _{cc}

Note1: Tolerance ± 0.2 mm

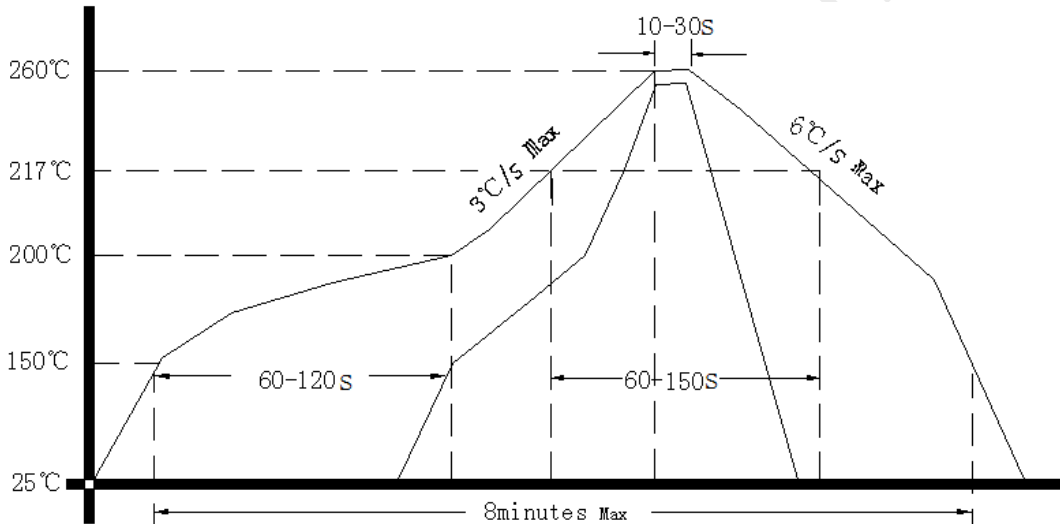
DAPU



3. Test Circuit



4. Reflow Soldering Curve (RoHS)



5. Package: Tape & Reel (mm)

