

Travelling Merchant: _____

DATASHEET

Standard: **T22-S573-19.20MHz** **X22ZCYH19202**

Plot			The Label
Drew	Audited	Approved	Stamp, please! Thanks!
Date: 2021.05.20			

Guangdong Dapu Telecom Technology Co.,Ltd

Building 5, No.24, Industrial East Road, Songshanhu Park, Dongguan, Guangdong, P.R. China

TEL: 0086-0769-88010888 FAX: 0086-0769-81800098

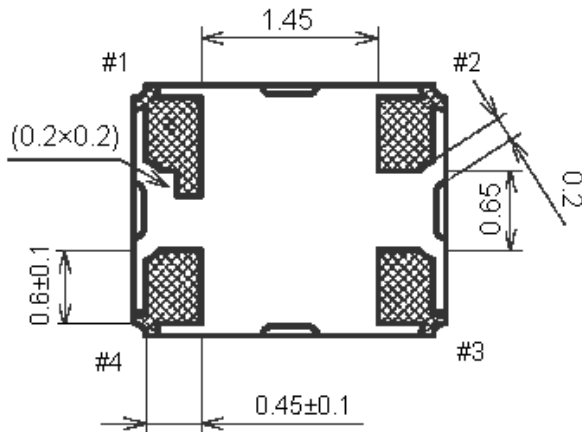
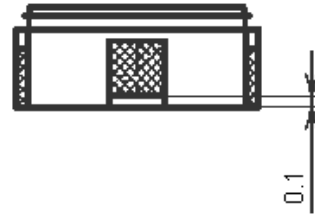
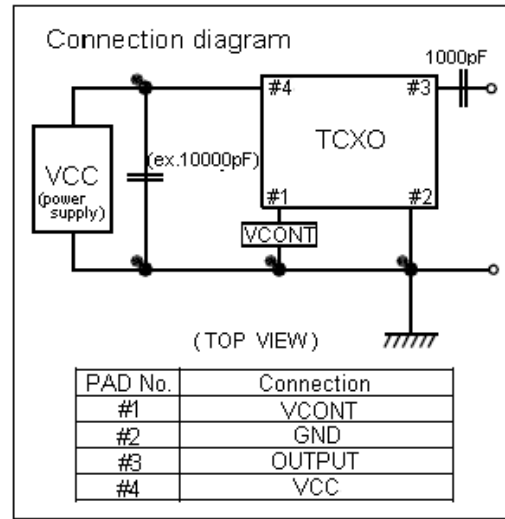
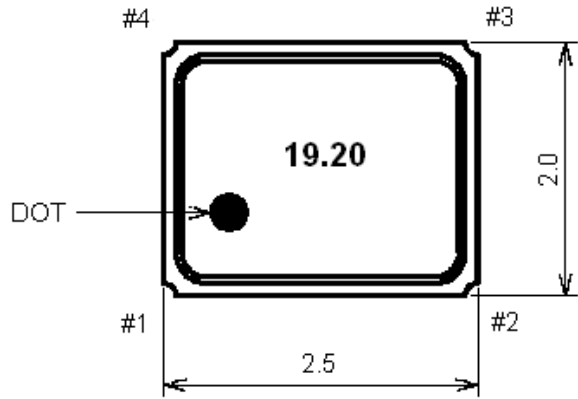


1、 Electrical Parameters

MODEL: T22-S573-19.20MHz							
No.	Parameters	SYM.	Electrical Spec.				Notes
			Min.	Typ.	Max.	Units	
1	Nominal Frequency	FL	19.20			MHz	Original frequency
2	Supply Voltage	VDD	2.66	2.8	2.94	V	
3	Current Drain	-	-	-	1.5	mA	
4	Output Level	-	0.8	-	-	Vp-p	
5	Output Waveform	-	Clipped Sine wave			-	
6	Standard Output Load	-	10KΩ//10pF			-	
7	Frequency Stability	vs. Tolerance	-1.5	-	+1.5	× 10 ⁻⁶	After 2 times reflow Ref. to Nominal Frequency
8		vs. Temperature	-0.5	-	+0.5	× 10 ⁻⁶	T _A varied from -30°C ~ +85°C, Ref. to Frequency T _A =25°C
9		vs. Load	-0.2	-	+0.2	× 10 ⁻⁶	±10% load change measurement referenced to frequency observed with T _A = 25°C, V _{cc} =2.8V, O _{Load} = 10KΩ//10pF .
10		vs. Supply Voltage	-0.2	-	+0.2	× 10 ⁻⁶	V _{cc} varied from 2.66V to 2.94V
11	Operating Temperature Range	-	-40	~	+85	°C	
12	Storage Temperature	-	-40	~	+85	°C	
13	Start Up Time	-	-	-	2.0	ms	To 90% of output amplitude)
14	Duty Cycle	-	40	~	60	%	
15	Aging	-	-1.0	-	+1.0	× 10 ⁻⁶	1st Year
16	Frequency Tuning Range	-	-15	-	-9	× 10 ⁻⁶	V _c = 0.5 V. measurement referenced to V _c =1.5V
		-	+9	-	+15	× 10 ⁻⁶	V _c =2.5V. measurement referenced to V _c =1.5V
17	Linearity	-	-	-	10	%	
18	Slope		Positive				
19	Input Impedance	-	500	-	-	KΩ	
20	Phase Noise	@ 1KHz Offset	-	-	-130	dBc/Hz	
21	ESD Level	Human Body Model,class2: 2000V to 4000V; ANSI/ESDA/JEDEC JS-001-2010.					
		Machine Model, class B: 200V to 400V; JEDEC JESD22-A115C.					
22	Moisture Sensitivity Level	Level 2.					
23	Vibration	Test Condition: 0.75mm ;acceleration:10g;10Hz~2000Hz, one cycle per 30 min, test 2 hour. (3 times for each 3 directions X , Y , Z).IEC 68-2-06 Test Fc.					
24	Shock	100g; 6ms; half sine wave (3 times for each 3 directions X , Y , Z),IEC 68-2-27 Test Ea/Severity 50A.					



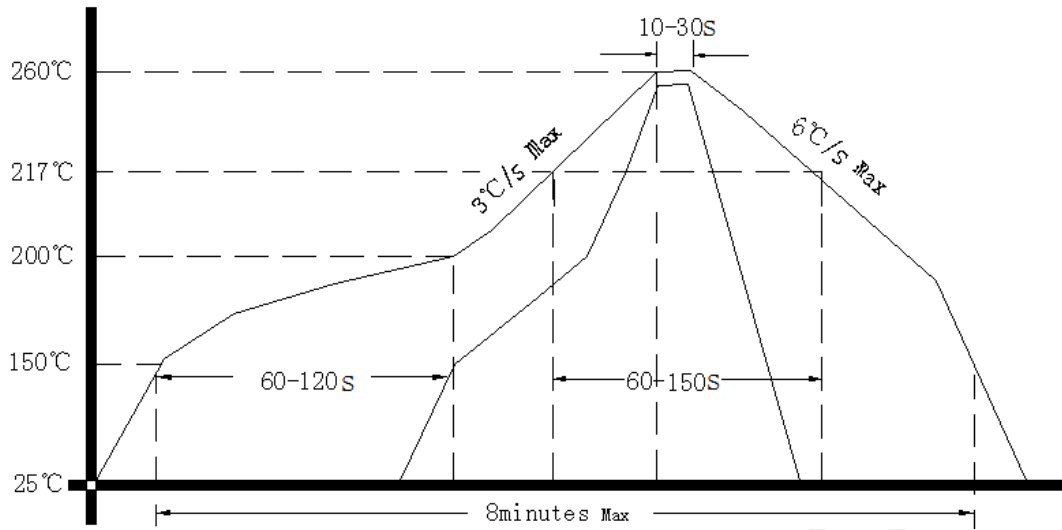
2、Mechanical Structure(mm)



Note1: Tolerance ± 0.1 mm



3、 Reflow Soldering Curve (RoHS)



4、 Package: Tape & Reel (mm)

