

Travelling Merchant: _____

DATASHEET

Standard: **M11A-H313-38.88MHz**

P/N: _____

| Plot | | | The Label |
|------------------|---------|----------|------------------------|
| Drew | Audited | Approved | Stamp, please! Thanks! |
| | | | |
| Date: 2013.08.23 | | | |

Guangdong Dapu Telecom Technology Co.,Ltd

Bldg13-16,.N.Ind.Zone,SSL Industry Park, Dongguan City, Guangdong Province, China

TEL: 0086-0769-88010888 FAX: 0086-0769-81800098



1. Electrical Parameters

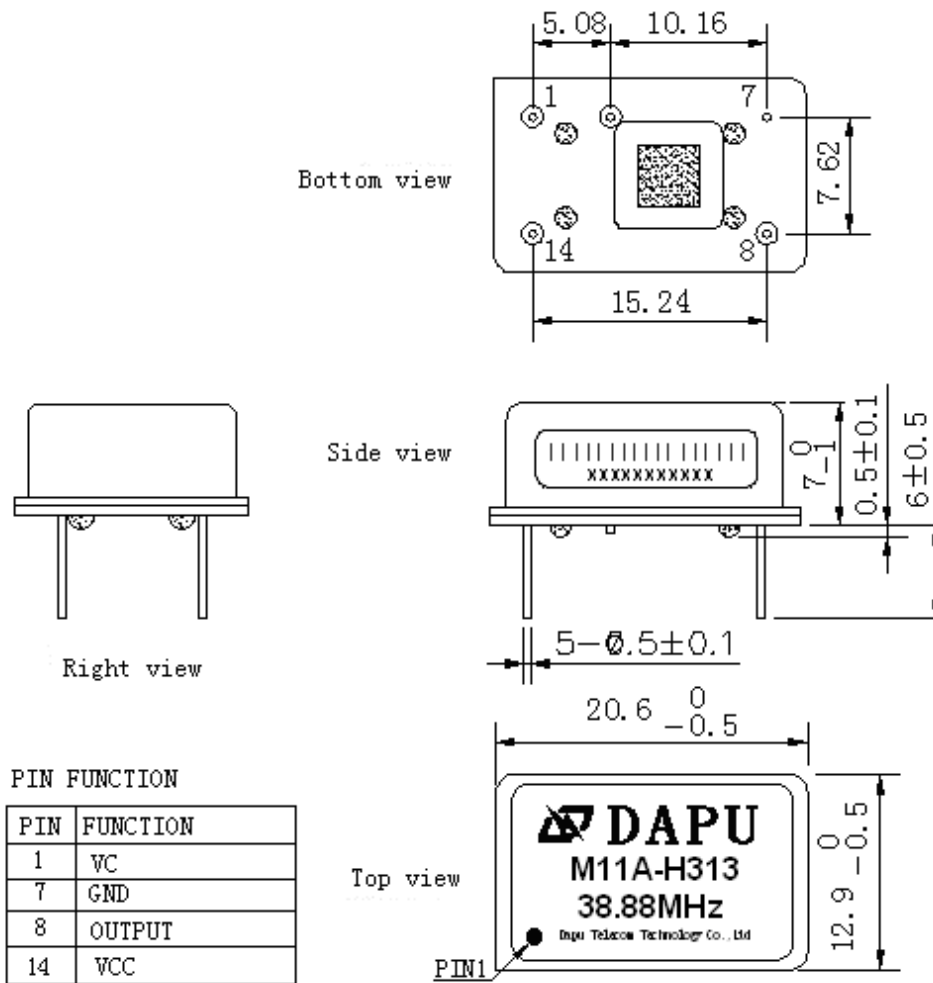
| MODEL: M11A-H313-38.88MHz | | | | | | |
|---------------------------|---|------------|------|-------|------------------|---|
| Item | Description | Parameters | | | Unit | Test Condition |
| | | Min. | Typ. | Max. | | |
| Output | Frequency | 38.88 | | | MHz | |
| | Output Waveform | HCMOS | | | | |
| | Output Low Voltage | | | 0.3 | V | $V_{cc}=3.3V, O_{load}=15pF$ |
| | Output High Voltage | 2.7 | | | V | $V_{cc}=3.3V, O_{load}=15pF$ |
| | Duty Cycle | 45 | 50 | 55 | % | @50% |
| | Rise / Fall Time (10%~90%) | | | 5 | ns | @25°C |
| | Load | 15 | | | pF | |
| Frequency Stabilities | Frequency Tolerance vs. Operating Temperature Range | -0.28 | | +0.28 | $\times 10^{-6}$ | T_A varied from -20°C to 75°C, measurement referenced to frequency observed with $T_A = 25^\circ C, V_{cc} = 3.3V, V_c = 1.65V, O_{load} = 15pF$, temperature variable speed less than 2°C per minute. |
| | Initial Frequency Tolerance | -0.5 | | +0.5 | $\times 10^{-6}$ | Measurement referenced to frequency observed with $T_A = 25^\circ C, V_{cc} = 3.3V, V_c = 1.65V$ within 30 days after ex-works. |
| | Frequency Tolerance vs. Supply Voltage | -0.05 | | +0.05 | $\times 10^{-6}$ | measurement referenced to frequency observed $T_A=25^\circ C, V_{cc}$ varied from 3.13V to 3.47V, $V_c = 1.65V$ and $O_{Load} = 15pF$. |
| | Frequency Tolerance vs. Load | -0.05 | | +0.05 | $\times 10^{-6}$ | 5% load change measurement referenced to frequency observed with $T_A = 25^\circ C, V_{cc} = 3.3V, V_c = 1.65V, O_{Load} = 15pF$. |
| | Aging Tolerance Per Day | -0.02 | | +0.02 | $\times 10^{-6}$ | $T_A=25^\circ C, V_{cc}=3.3V, V_c=1.65V$ and after 1h of operation. |
| | Aging Tolerance 1 Year | -1 | | +1 | $\times 10^{-6}$ | |
| Power Supply | Current Consumption | | 30 | 35 | mA | @25°C, $V_{cc}=3.3V, V_c=1.65V, O_{load}=50\Omega$. |
| | Supply Voltage | 3.13 | 3.3 | 3.47 | V | |



| | | | | | | |
|---------------------------------|--|--|------|------|------------------|--|
| Voltage Control Characteristics | Frequency Tuning Range | -15 | | -10 | $\times 10^{-6}$ | $V_c=0V$. measurement referenced to $V_c=1.65V$ |
| | | -0.5 | | +0.5 | $\times 10^{-6}$ | $V_c=1.65V$. measurement referenced to exactly 38.88MHz |
| | | +10 | | +15 | $\times 10^{-6}$ | $V_c=3.3V$. measurement referenced to $V_c=1.65V$ |
| | Linearity | | | 10 | % | |
| | Slope | Positive | | | | |
| | Input Impedance | 100 | | | | K Ω |
| Phase Noise | Phase Noise | | -120 | -115 | dBc/Hz | 1KHz |
| Environmental Conditions | Operable Temperature | -20 | | +75 | $^{\circ}C$ | |
| | Storage Temperature | -55 | | +105 | $^{\circ}C$ | |
| | ESD Level | Human Body Model,class2: 2000V to 4000V; ANSI/ESDA/JEDEC JS-001-2010. | | | | |
| | | Machine Model, class B: 200V to 400V; ANSI/ESDA/JEDEC JS-001-2010. | | | | |
| | Moisture Sensitivity Level | Not humidity sensitive. | | | | |
| | Vibration | Test Condition: 0.75mm ;acceleration:10g;10Hz~2000Hz, one cycle per 30 min, test 2 hour. (3 times for each 3 directions X , Y , Z) .IEC 68-2-06 Test Fc. | | | | |
| Shock | 100g; 6ms; half sine wave (3 times for each 3 directions X , Y , Z),IEC 68-2-27 Test Ea/Severity 50A. | | | | | |



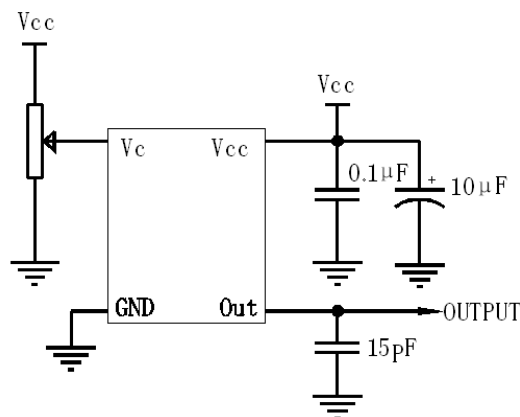
2. Mechanical Structure(mm)



Note1: Tolerance ±0.2mm without mark

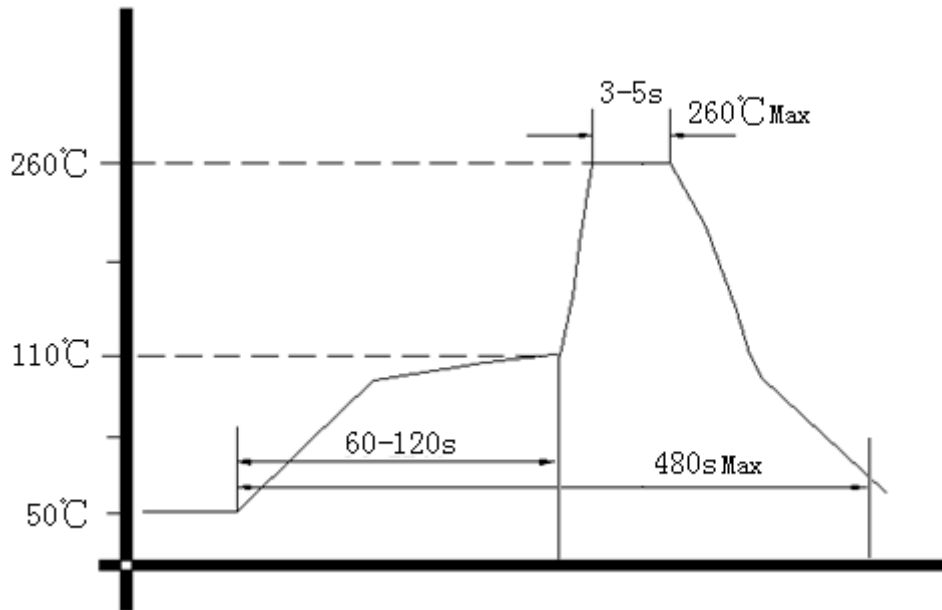
Note2: Referential Weight 4.2g

3. Test circuit





4. Wave Soldering Curve (RoHS)



5. Package: PVC Tube,10pcs (mm)

