

Customer Code : _____

DATASHEET

DAPU P/N: **T32-S519-30.72MHz**

Customer P/N: _____

DAPU			Customer Approval
Drew	Audited	Approved	Stamp, please! Thanks!
<i>Amway.wei</i>	<i>Carry.Wang</i>	<i>Jason Zhao</i>	
Date: 2020.08.04			

Guangdong Dapu Telecom Technology Co.,Ltd

Bldg 16,.N.Ind.Zone,SSL Industry Park, Dongguan City, Guangdong Province, China

TEL: 0086-0769-88010888 FAX: 0086-0769-81800098



Table of amendment

Version	Revision contents	Prepared by	Revised date
1.0	The first issued	<i>Amway</i>	2015.08.12
1.1	The " Vp-p" and "Mechanical Structure" changed	<i>Amway</i>	2018.05.17
1.2	The " Vp-p" "ESD Level" "Package: Tape & Reel" changed	<i>Amway</i>	2020.08.04



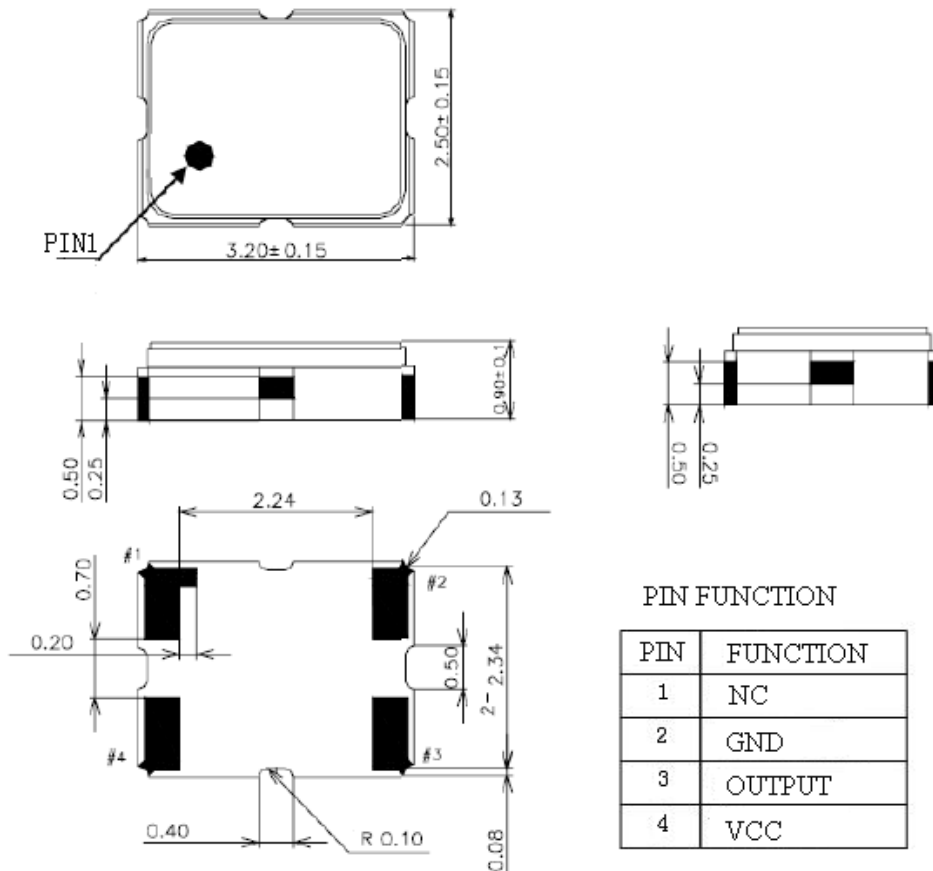
1. Electrical Parameters

MODEL: T32-S519-30.72MHz						
Item	Description	Parameters			Unit	Test Condition
		Min.	Typ.	Max.		
Output	Frequency	30.72			MHz	
	Output Waveform	Clipped Sine Wave				
	V _{p-p}	0.8			V	
	Load	10KΩ//10pF				
Frequency Stabilities	Frequency Tolerance vs. Operating Temperature Range	-0.5		+0.5	$\times 10^{-6}$	T _A varied from -40°C to 85°C, measurement referenced to frequency observed with $f_{ref}=(f_{max}+f_{min})/2$, V _{cc} =3.3V, O _{load} =10KΩ//10pF, temperature variable speed less than 2°C per minute.
	Initial Frequency Tolerance	-1		+1	$\times 10^{-6}$	Measurement referenced to frequency observed with T _A =25°C, V _{cc} =3.3V, within 30 days after ex-works.
	Frequency Tolerance vs. Supply Voltage	-0.2		+0.2	$\times 10^{-6}$	measurement referenced to frequency observed T _A =25°C, V _{cc} varied from 3.13V to 3.47V, O _{Load} =10KΩ//10pF.
	Frequency Tolerance vs. Load	-0.2		+0.2	$\times 10^{-6}$	5% load change measurement referenced to frequency observed with T _A =25°C, V _{cc} =3.3V, O _{Load} =10KΩ//10pF.
	Aging Tolerance Per Day	-0.02		+0.02	$\times 10^{-6}$	T _A =25°C, V _{cc} =3.3V, and after 1h of operation.
	Aging Tolerance 1 Year	-1		+1	$\times 10^{-6}$	
Power Supply	Operating Current			3	mA	@25°C, V _{cc} =3.3V, O _{Load} =10KΩ//10pF.
	Supply Voltage	3.13	3.3	3.47	V	
Phase Noise	Phase Noise		-105	-100	dBc/Hz	100Hz
			-130	-125		1KHz
			-145	-140		10KHz
			-145	-140		100KHz



Environmental Conditions	Operable Temperature	-40		+85	°C	
	Storage Temperature	-55		+105	°C	
	ESD Level	Human Body Model,class2: 2000V to 4000V; ANSI/ESDA/JEDEC JS-001-2010.				
		Machine Model, class B: 200V to 400V; JEDEC JESD22-A115C.				
	Moisture Sensitivity Level	Level 2.				
	Vibration	Test Condition: 0.75mm ;acceleration:10g;10Hz~2000Hz, one cycle per 30 min, test 2 hour. (3 times for each 3 directions X ,Y , Z) .IEC 68-2-06 Test Fc.				
Shock	100g; 6ms; half sine wave (3 times for each 3 directions X ,Y , Z),IEC 68-2-27 Test Ea/Severity 50A.					
Full Package Storage	Relative humidity (%)	20% ~70%				
	Temperature (°C)	-10~35°C				

2. Mechanical Structure(mm)

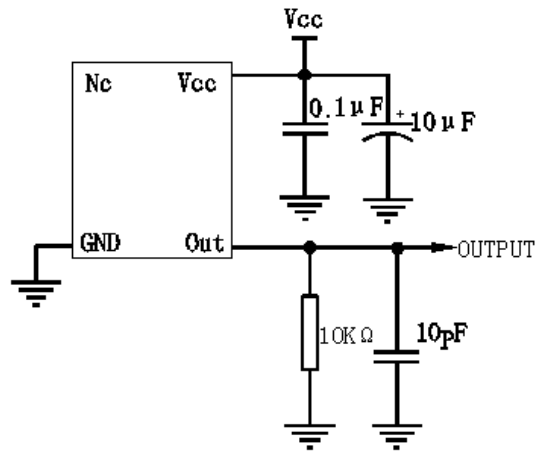


Note1: Tolerance ±0.1mm without mark

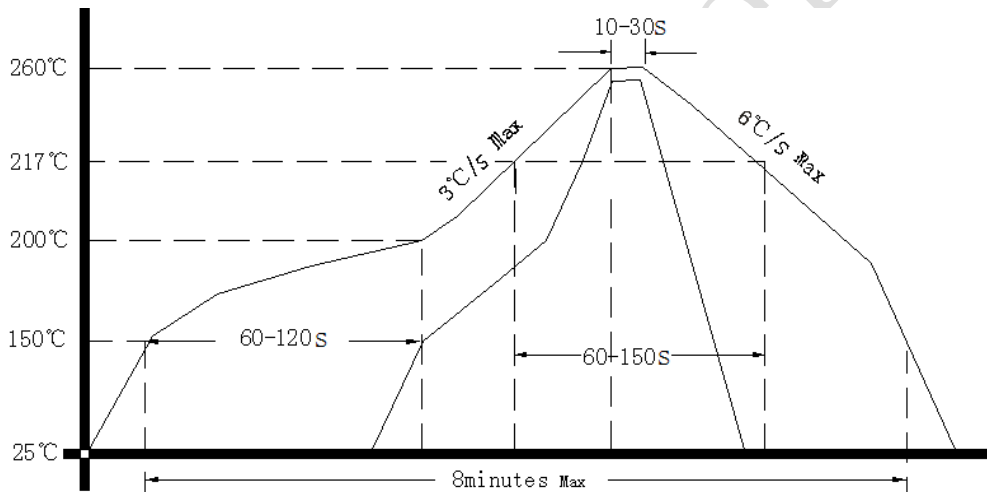
Note2: Referential weight 0.02g



3. Test Circuit



4. Reflow Soldering Curve (RoHS)



Note: If soldering with a hot air gun, ensure the temperature < 320°C , soldering time < 15 seconds.

5. Package: Tape & Reel (mm)

