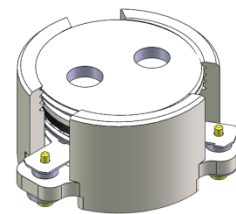




DP0216C

2110MHz to 2200MHz Single-Junction Surface Mount Circulator

REV.	DESCRIPTION	REVISOR	DATE	APPROVED
A		ZC.Wu	2020/04/23	Nick
B	Updated Impedance	ZC.Wu	2020/05/26	Nick
C	Replace the number 1 on the input port of the label with a black dot	ZC.Wu	2020/09/17	Nick

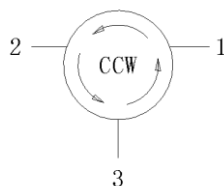


Applications:

- Wireless Infrastructure
- Power Amplifier

Features:

- Operating frequency range: 2110MHz to 2200MHz
- Operating temperature range: -40°C to +120°C
- Storage temperature range: -55°C to +150°C
- Small surface-mount package delivered on T&R
- BeOfree&RoHS compliant



Block Diagram



Electrical Specifications:

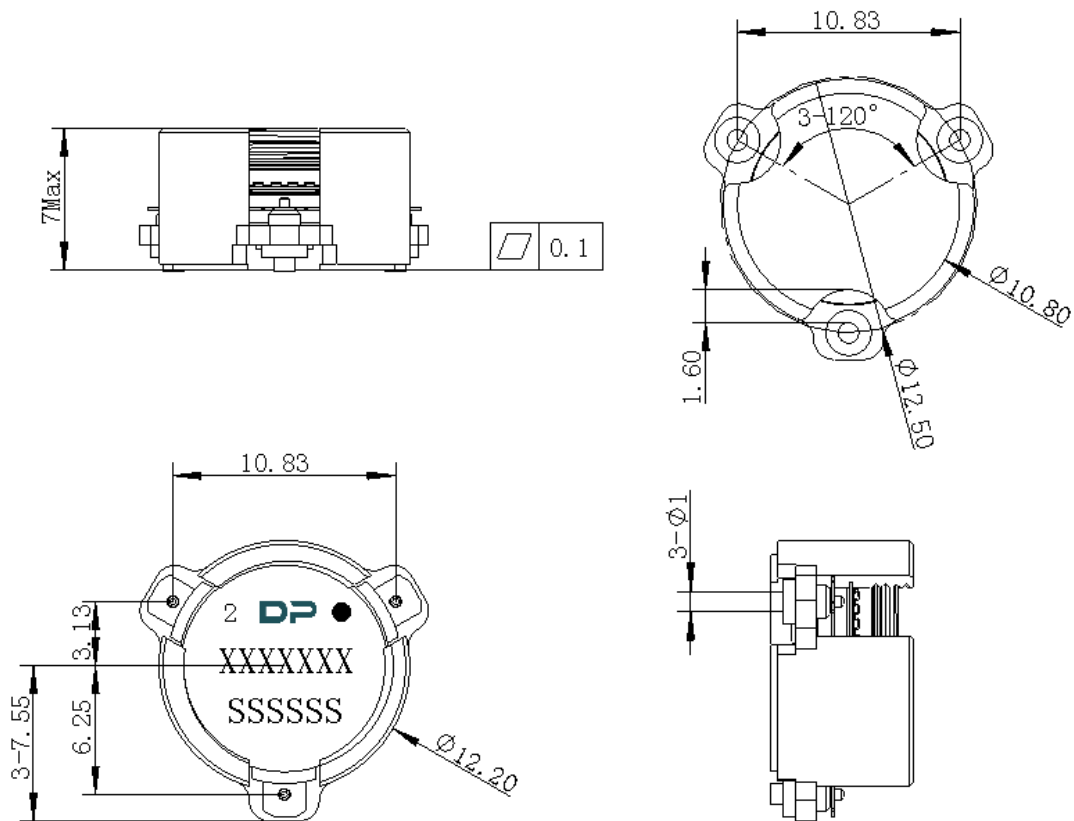
ITEM	SPECIFICATION	
Frequency	2110~2200	MHz
Direction	CCW	
Impedance	Typ: 50	Ω
Insertion Loss (Max.)	0.3@-40~+120°C	dB
Isolation (Min.)	20@-40~+120°C	dB
Return Loss (Min.)	20.0 @ Port 1 21.0 @ Port 2	dB
FWD 3rd IMD (Max.)	-60	dBc
Group delay	2	ns
2nd harmonic suppression	15	dBc
3rd harmonic suppression	5	dBc
Power FWD/REV/PEAK	50/-/500	W
Termination/Attenuator	/	W/dB
Input Impedance ,real @2110MHz	44 Min 55Max	Ω
Input Impedance ,imaginary @2110MHz	-7.5j Min +7.5j Max	Ω
Output Impedance ,real	44Min 50Typ. 55Max	Ω
Output Impedance ,imaginary	-7.5j Min 0j Typ. +7.5j Max	Ω
Out-of-band resonance point	Resonance point away 1810 MHz to 2500 MHz	

Notes :

1. Exposure to maximum rating conditions for extended periods may reduce device reliability. There is no damage to device with only one parameter set at the limit and all other parameters set at or below their nominal value. Exceeding any of the limits listed here may result in permanent damage to the device.
2. Performance is guaranteed under the conditions listed in this table and over the operating temperature range.
3. Performance will not degrade by > 10% (Insertion loss > 20%) with an operating temperature of up to 130 °C.



Mechanical Specifications:



Unit : Millimeters

Notes:

1. The housing and pins are silver-plated.
2. Tolerance $\pm 0.2\text{mm}$ unless otherwise specified.
3. Co-planarity Specification: 0.1mm maximum.
4. Part Number, Lot Code, and Port Designation are printed on the top side of device.
5. Part Number format shall be XXXXXXXX.
6. Serial Number format shall be SSSSSS



Packaging Style:

ITEM	W	A0	B0	K0	D	E	F	F2	P	P0	P2	T
DIM	32	14.7	12.4	7.4	Φ1.5	1.75	14.2	28.5	24	4	2	0.5
TOLE	±0.3	±0.2	±0.2	±0.2	+0.1	±0.1	±0.15	±0.1	±0.1	±0.1	±0.1	±0.05

