

Customer Code: \_\_\_\_\_

# DATASHEET

DAPU P/N: **DP7X2500018**

\_\_\_\_\_

\_\_\_\_\_

DAPU			Customer Approval
Drew	Audited	Approved	Stamp, please! Thanks!
Date: 2020.11.03			

## Guangdong Dapu Telecom Technology Co.,Ltd

Bldg16,,N.Ind.Zone,SSL Industry Park, Dongguan City, Guangdong Province, China

TEL: 0086-0769-88010888 FAX: 0086-0769-81800098

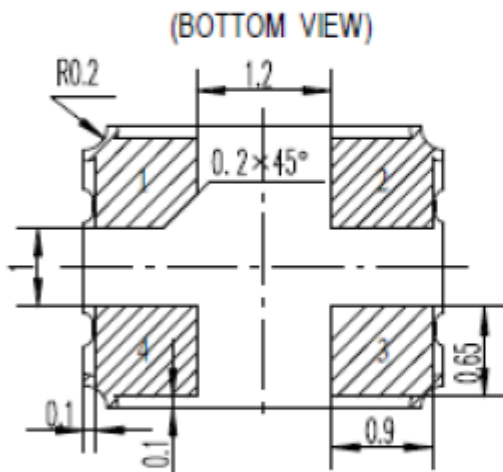
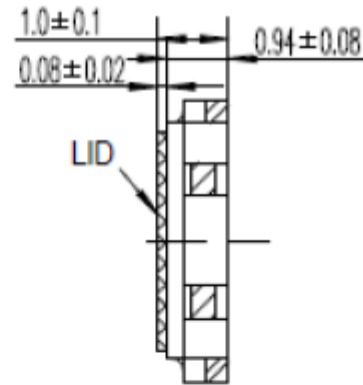
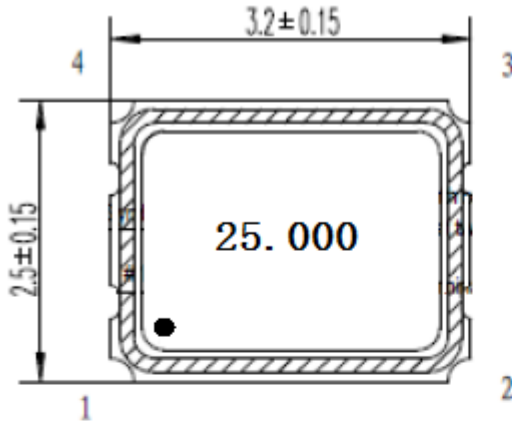


## 1、Electrical Parameters

MODEL: DP7X25000018							
No.	Parameters	SYM.	Electrical Spec.				Notes
			Min.	Typ.	Max.	Units	
1	Nominal Frequency	FL	25.00			MHz	
2	Output Waveform		CMOS				
3	Symmetry	-	45	~	55	%	CL=15pF,Vc=1/2Vcc
4	Frequency stability	$\Delta f/f_n$	-50		+50	$\times 10^{-6}$	Frequency tolerance @25°C and frequency stability vs. operating temperature range and voltage variance and load variance.
5	Operating Temperature	Topr	-40	25	+85	°C	
6	Storage Temperature	Tstg	-55	~	+125	°C	
7	Supply Voltage	Vcc	2.97	3.3	3.63	V	
8	Supply Current	Icc			8	mA	
9	Output Load:	CL	15			pF	
10	Max supply voltage Range	Vcc	-0.5		6	V	
11	Supply Variation		-2		+2	$\times 10^{-6}$	VCC+/-5%
12	Load Variation		-2		+2	$\times 10^{-6}$	CL+/-5%
13	Aging Per Year				3	$\times 10^{-6}$	
14	Start up time				3	ms	
15	Rise/ Fall Time	Tr/Tf	-	-	5	ns	
16	“H” Onput Voltage	VOH	Vcc*0.9			V	
17	“l” Onput Voltage	VOL			Vcc*0.1	V	
18	Enable /Disable Control		Yes				
19	Phase Noise				-130	dBc	1kHz
20	RMS Phase Jitter				0.6	ps	Integrated from 12KHz to 20MHz
21	ESD Level	Human Body Model,class2: 2000V to 4000V; ANSI/ESDA/JEDEC JS-001-2010.					
22		Machine Model, class B: 200V to 400V; JEDEC JESD22-A115C.					
	Moisture Sensitivity Level	Level 3.					
23	Vibration	Test Condition: 0.75mm ;acceleration:10g;10Hz~2000Hz, one cycle per 30 min, test 2 hour. (3 times for each 3 directions X ,Y , Z) .IEC 68-2-06 Test Fc.					
24	Shock	100g; 6ms; half sine wave (3 times for each 3 directions X ,Y , Z ),IEC 68-2-27 Test Ea/Severity 50A.					
25	Full Package Storage	Relative humidity (%)	20% ~70%				
		Temperature (°C)	-10~35°C				



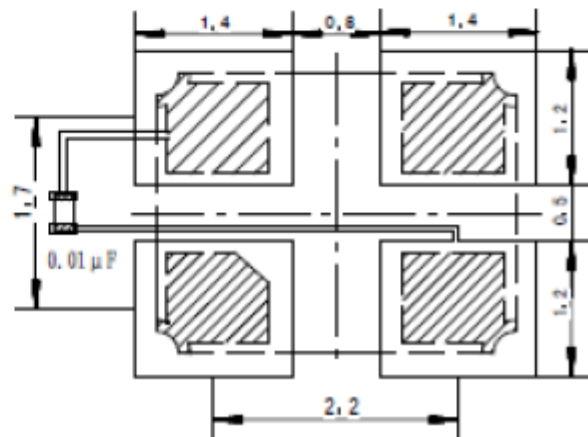
## 2、Mechanical Structure(mm)



### PAD FUNCTION

- 1 : NC
- 2 : GND
- 3 : OUT
- 4 : VCC

### (Recommended Soldering Pattern)



**Note1:** Tolerance  $\pm 0.2\text{mm}$