

Customer Code: _____

DATASHEET

DAPU P/N: DP8V12000001

DAPU			Customer Approval
Drew	Audited	Approved	Stamp, please! Thanks!
Date: 2020.07.13			

Guangdong Dapu Telecom Technology Co.,Ltd

Bldg 16,.N.Ind.Zone,SSL Industry Park, Dongguan City, Guangdong Province, China

TEL: 0086-0769-88010888 FAX: 0086-0769-81800098

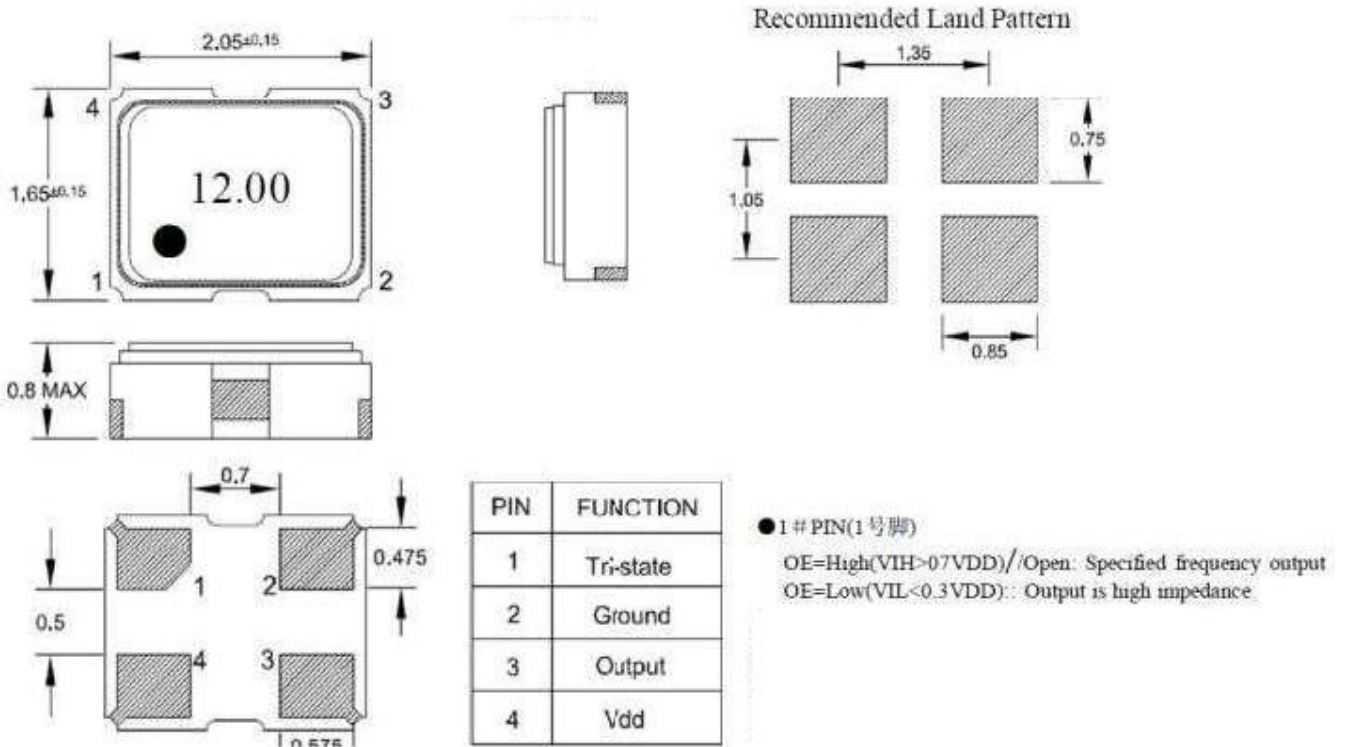


1、 Electrical Parameters

MODEL: DP8V1200001							
No	Parameters	SYM.	Electrical Spec.				Notes
			Min.	Typ.	Max.	Units	
1	Nominal Frequency	FL	12.00			MHz	
2	Output Load Capacitance	CL	COMS			-	
3	Total Stability	-	-50		+50	$\times 10^{-6}$	Inclusive of frequency tolerance@25 °C and frequency stability vs. operating temperature range and voltage variance and aging.
4	Supply Variation	-	-1		+1	$\times 10^{-6}$	Vcc+/-5%
2	Load Variation	-	-1		+1	$\times 10^{-6}$	CL+/-5%
6	Maximum Supply Voltage Range	-	-0.5	-	6	V	
7	Operating Temperature	Topr	-40	25	+85	°C	
8	Storage Temperature	Tstg	-55	~	+125	°C	
9	Supply Voltage		2.97	3.3	3.63	V	
10	Supply Current				20	mA	
11	Output load	-			15	pF	
12	“H” Input Voltage	VIH	0.7Vcc			V	
13	“L” Input Voltage	VIL			0.3Vcc	V	
14	Enable/disable function	Logic “1”Or Floating input, Outputs enable; Logic “0” ,Outputs disable					
15	Output Voltage High	VoH	0.9Vcc	-		V	
16	Output Voltage Low	VoL		-	0.1Vcc	V	
17	Symmetry	TH/T	45	~	55	%	
18	Aging		-5		+5	ppm	
19	Rise and Fall time	Tr/Tf			5	ns	CL=15PF,20%-80%Vcc
20	Jitter	RMS			1	ps	12KHz-20MHz

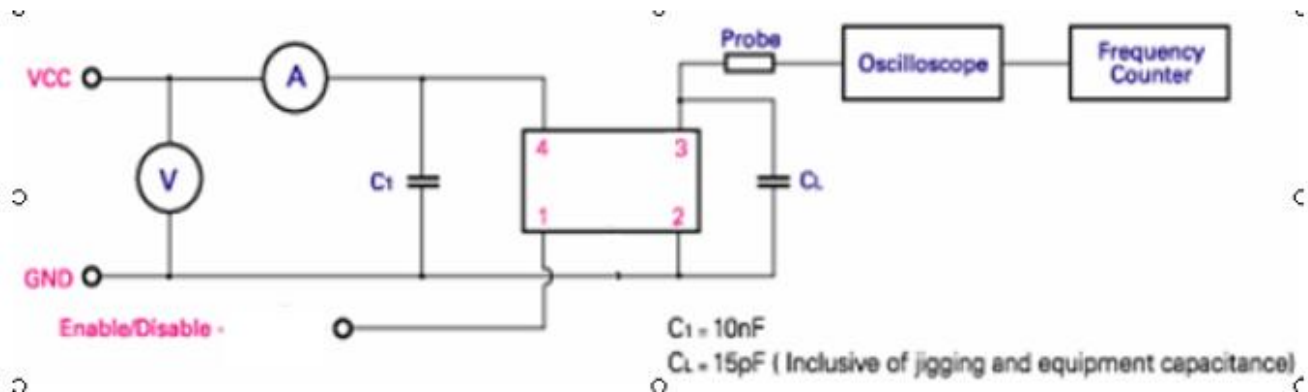


2、Mechanical Structure(mm)



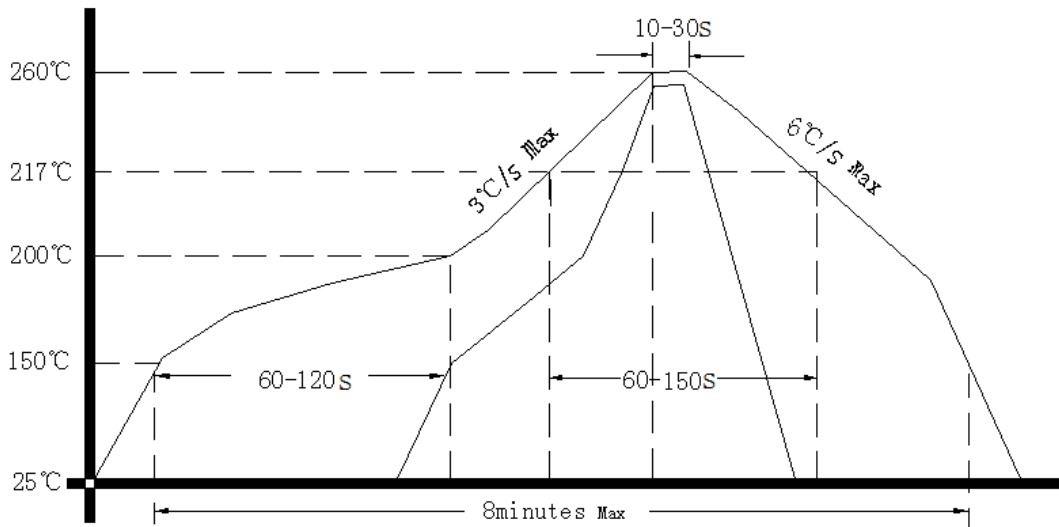
Note1: Tolerance $\pm 0.20\text{mm}$

3、Test Circuit

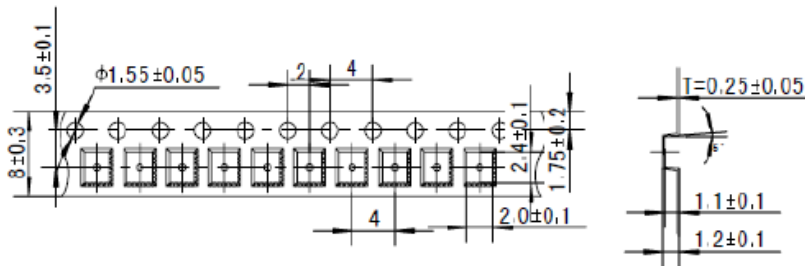




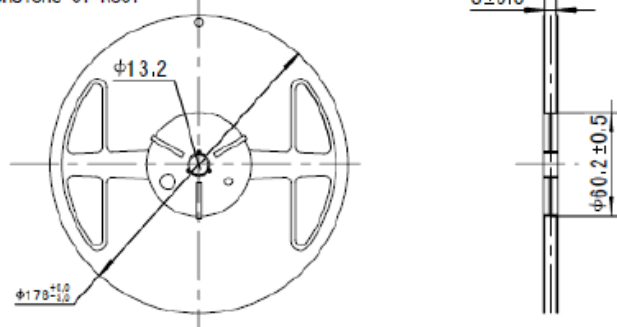
4、 Reflow Soldering Curve (RoHS)



5、 Package: Tape & Reel (mm)



2. Dimensions of Reel



3. Packing

1 reel/box 1 reel=3000pcs

10 boxes/carton (the carton with bubble pad on four sides)

