

Travelling Merchant: _____

DATASHEET

Standard: DP8W29491201

Plot			The Label
Drew	Audited	Approved	Stamp, please! Thanks!
Date: 2020.07.06			

Guangdong Dapu Telecom Technology Co.,Ltd

Bldg16,.N.Ind.Zone,SSL Industry Park, Dongguan City, Guangdong Province, China

TEL: 0086-0769-88010888 FAX: 0086-0769-81800098

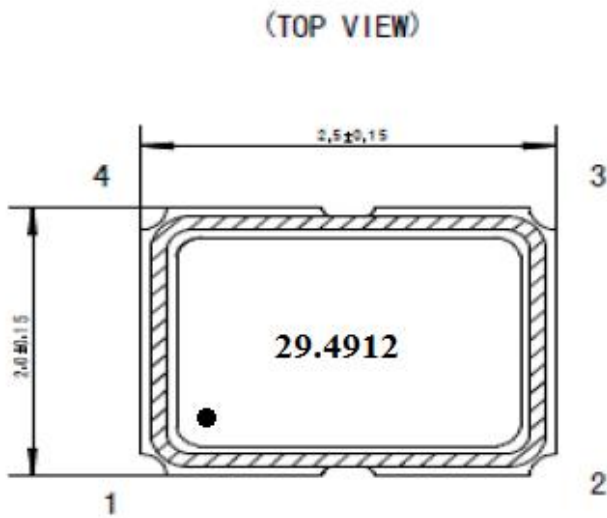


1、Electrical Parameters

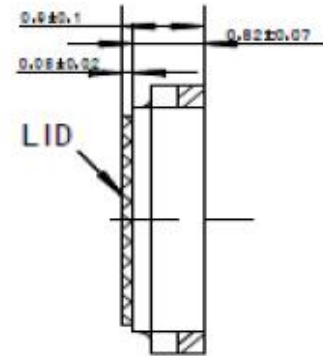
MODEL: DP8W29491201							
No.	Parameters	SYM.	Electrical Spec.				Notes
			Min.	Typ.	Max.	Units	
1	Nominal Frequency	FL	29.4912			MHz	
2	Frequency Stability	-	-10		+10	$\times 10^{-6}$	@25°C
			-30		+30	$\times 10^{-6}$	Over -40~+85°C
3	Supply Voltage	Vcc	1.71	1.8	1.89	V	
4	Operating Temperature	TA	-40	25	85	°C	
5	Storage Temperature	TSTG	-55		125	°C	
6	Start up time			2	10	ms	
7	Supply Current	Icc			10	mA	
8	Max supply voltage range	Vcc	-0.5	-	6.0	V	
9	Output Load: CMOS	CL			15	pF	
10	Input Voltage "L"	V _{IL}		-	0.3Vcc	V	
11	Input Voltage "H"	V _{IH}	0.7Vcc	-		V	
12	Onput Voltage "L"	V _{OL}			0.1Vcc	V	
13	Onput Voltage "H"	V _{OH}	0.9Vcc			V	
14	Rise& Fall Time	Tr/ Tf	-	-	4	ns	10-90% Vcc level
15	Supply Variation		-2		+2	$\times 10^{-6}$	Vcc+/-5%
16	Load Variation		-1		+1	$\times 10^{-6}$	CL+/-5%
17	Aging		-5		+5	$\times 10^{-6}$	
18	Symmetry (Duty ratio)	SYM	40		60	%	At 50% Vcc Level
19	Jitter	RMS			1	ps	12KHz-20MHz
20	Enable/disable function	Logic "1"Or Floating Input, Outputs enable; Logic "0" ,Outputs disable					



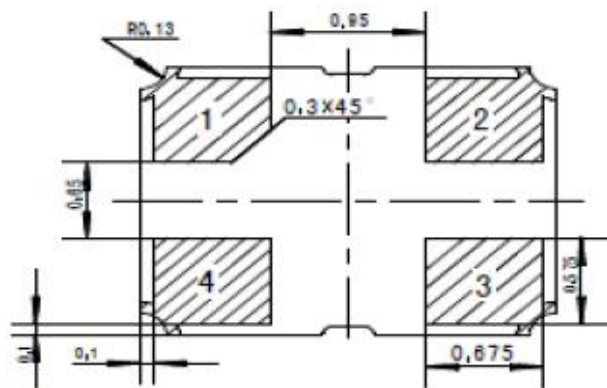
2、Mechanical Structure(mm)



(SIDE VIEW)



(BOTTOM VIEW)



PAD FUNCTION

1: ENABLE CONTROL

2: GND

3: OUT

4: VDD

(Recommended Soldering Pattern)

