

Customer Code : \_\_\_\_\_

# DATASHEET

DAPU P/N:     **T11A-A429-26.40MHz**    

Customer P/N: \_\_\_\_\_

DAPU			Customer Approval
Drew	Audited	Approved	Stamp, please! Thanks!
Date: 2019.10.24			

## Guangdong Dapu Telecom Technology Co.,Ltd

Bldg13-16,.N.Ind.Zone,SSL Industry Park, Dongguan City, Guangdong Province, China

TEL: 0086-0769-88010888 FAX: 0086-0769-81800098



### Table of amendment

Version	Revision contents	Prepared by	Revised date
1.0	The first issued	<i>Amway</i>	2019.06.05
1.1	The “Mechanical Structure” changed	<i>Amway</i>	2019.10.24

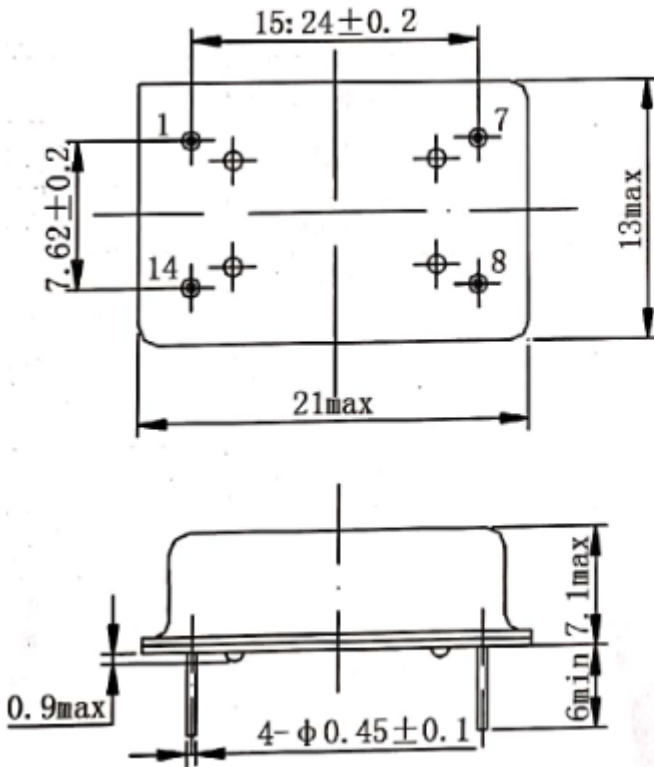


## 1. Electrical Parameters

MODEL: T11A-A429-26.40MHz						
Item	Description	Parameters			Unit	Test Condition
		Min.	Typ.	Max.		
Output	Frequency	26.40			MHz	
	Output Waveform	Sine Wave				
	Level	5	6	7	dBm	$O_{load}=50\Omega$
	Harmonics Suppression			-30	dBc	
	Spurious Suppression			-60	dBc	
	Load	50			$\Omega$	
Frequency Stabilities	Frequency Tolerance vs. Operating Temperature Range	-4.0		+4.0	$\times 10^{-6}$	$T_A$ varied from $-45^{\circ}\text{C}$ to $75^{\circ}\text{C}$ , measurement referenced to frequency observed with $T_A=25^{\circ}\text{C}$ , $V_{cc}=5.0\text{V}$ , $O_{load}=50\Omega$ , temperature variable speed less than $2^{\circ}\text{C}$ per minute.
	Initial Frequency Tolerance	-3.0		+3.0	$\times 10^{-6}$	Measurement referenced to frequency observed with $T_A=25^{\circ}\text{C}$ , $V_{cc}=5.0\text{V}$ , within 30 days after ex-works.
	Aging Tolerance 1 Year	-1.0		+1.0	$\times 10^{-6}$	$T_A=25^{\circ}\text{C}$ , $V_{cc}=5.0\text{V}$ , and after 1h of operation.
Power Supply	Current Consumption			50	mA	@ $25^{\circ}\text{C}$ , $V_{cc}=5.0\text{V}$ , $O_{load}=50\Omega$ .
	Supply Voltage	4.75	5.0	5.25	V	
Environmental Conditions	Operable Temperature	-45		+75	$^{\circ}\text{C}$	
	Storage Temperature	-55		+85	$^{\circ}\text{C}$	
	ESD Level	Human Body Model,class2: 2000V to 4000V; ANSI/ESDA/JEDEC JS-001-2010.				
		Machine Model, class B: 200V to 400V; ANSI/ESDA/JEDEC JS-001-2010.				
	Moisture Sensitivity Level	Not humidity sensitive.				
	Vibration	Test Condition: 0.75mm ;acceleration:10g;10Hz~2000Hz, one cycle per 30 min, test 2 hour. (3 times for each 3 directions X , Y , Z ) .IEC 68-2-06 Test Fc.				
Shock	100g; 6ms; half sine wave (3 times for each 3 directions X , Y , Z ),IEC 68-2-27 Test Ea/Severity 50A.					

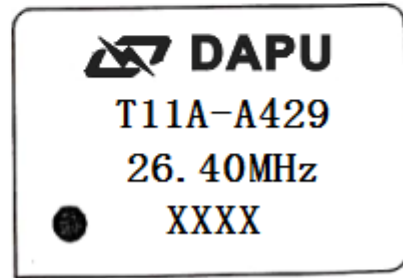


## 2. Mechanical Structure(mm)



引脚 (PIN)	功能 (FUNCTION)
1	空脚 (NC)
7	接地 (GND)
8	输出 (OUT)
14	电源 (VCC)

标识

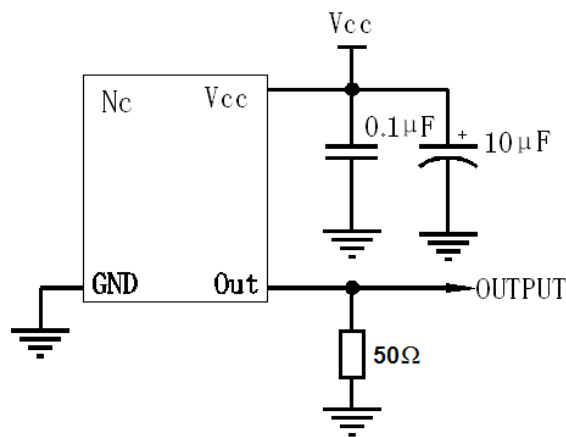


**Note1:** The first two xx representative: week  
After two xx representative: year

**Note2:** Referential weight 3.8g

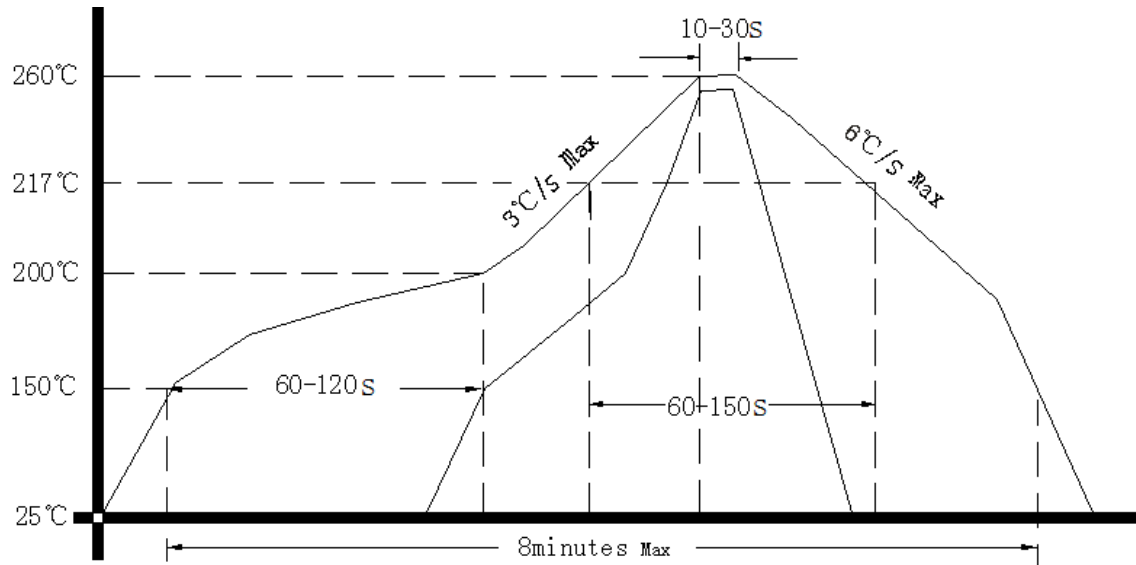
**Note3:** NC is not connect

## 3. Test circuit





#### 4. Reflow Soldering Curve (RoHS)



#### 5. Package: PVC Tube,10pcs (mm)

