

Travelling Merchant: \_\_\_\_\_

# DATASHEET

Standard:           **O23B-G126-10.00MHz-A**          

P/N: \_\_\_\_\_

Plot			The Label
Drew	Audited	Approved	Stamp, please! Thanks!
Date: 2019.03.28			

## Guangdong Dapu Telecom Technology Co.,Ltd

Bldg13-16,.N.Ind.Zone,SSL Industry Park, Dongguan City, Guangdong Province, China

TEL: 0086-0769-88010888    FAX: 0086-0769-81800098





## 1. Electrical Parameters

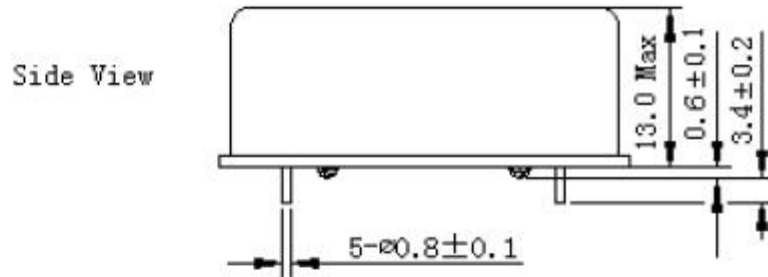
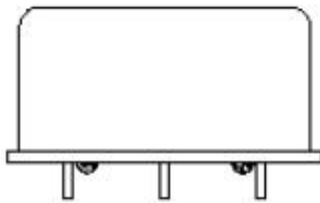
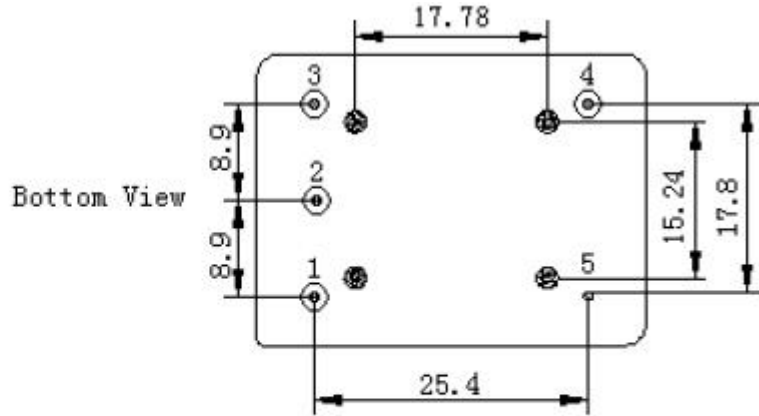
MODEL: O23B-G126-10.00MHz						
Item	Description	Parameters			Unit	Test Condition
		Min.	Typ.	Max.		
Output	Frequency	10.00			MHz	
	Output Waveform	HCMOS				
	Output Low Voltage			0.5	V	$V_{cc}=5.0V, O_{load}=15pF$
	Output High Voltage	4.5			V	$V_{cc}=5.0V, O_{load}=15pF$
	Duty Cycle	45	50	55	%	@50%
	Rise / Fall Time (10%~90%)			5	ns	
	Spurious			-60	dBc	
	Load	14.25	15	15.75	pF	
Frequency Stabilities	Frequency Tolerance vs. Operating Temperature Range	-1		+1	$\times 10^{-9}$	$T_A$ varied from $-40^\circ C$ to $85^\circ C$ , measurement referenced to frequency observed with $T_A=25^\circ C, V_{cc}=5.0V, V_c=2.5V, O_{load}=15pF$ , temperature variable speed less than $2^\circ C$ per minute.
	Initial Frequency Tolerance	-0.2		+0.2	$\times 10^{-6}$	Measurement referenced to frequency observed with $T_A=25^\circ C, V_{cc}=5.0V, V_c=2.5V$ , and after 15 minutes of operation, within 30 days after ex-works.
	Frequency Tolerance vs. Supply Voltage	-0.5		+0.5	$\times 10^{-9}$	measurement referenced to frequency observed $T_A=25^\circ C, V_{cc}$ varied from 4.75V to 5.25V, $V_c=2.5V$ and $O_{Load}=15pF$ .
	Frequency Tolerance vs. Load	-0.5		+0.5	$\times 10^{-9}$	10% load change measurement referenced to frequency observed with $T_A=25^\circ C, V_{cc}=5.0V, V_c=2.5V$ , and $O_{Load}=15pF$ .
	Short-Term Stability: Allan Variance			0.015	$\times 10^{-9}$	Temperature stability, no EMI\EMC or other interference, test after power for 1hour ref. to $25^\circ C$ ; 1s, using PN9000 equipment.
	Aging Tolerance Per Day	-0.5		+0.5	$\times 10^{-9}$	$V_{cc}, V_c, T_A$ constant measurement referenced to frequency observed with $T_A=25^\circ C, V_{cc}=5.0V, V_c=2.5V$ , and after 30 days of operation.
	Aging Tolerance 1 Year	-50		+50	$\times 10^{-9}$	



Power Supply	Supply Voltage	4.75	5.0	5.25	V	
	Steady Consumption			240	mA	@25°C
	Warm up current			750	mA	
Voltage Control Characteristics	Frequency Tuning Range	-0.8		-0.4	$\times 10^{-6}$	$V_c=0V$ . measurement referenced to $V_c=2.5V$
		-0.2		+0.2	$\times 10^{-6}$	$V_c=2.5V$ . measurement referenced to exactly 10.00MHz
		+0.4		+0.8	$\times 10^{-6}$	$V_c=5.0V$ . measurement referenced to $V_c=2.5V$
	Linearity			10	%	
	Slope	Positive				
	Input Impedance	100			K $\Omega$	
Phase Noise	Phase Noise		-90	-80	dBc/Hz	1Hz
			-130	-120		10Hz
			-150	-140		100Hz
			-150	-145		1KHz
			-155	-150		10KHz
Environmental Conditions	Operable Temperature	-40		+85	°C	
	Storage Temperature	-40		+105	°C	
	ESD Level	Human Body Model, class2: 2000V to 4000V; ANSI/ESDA/JEDEC JS-001-2010.				
		Machine Model, class B: 200V to 400V; ANSI/ESDA/JEDEC JS-001-2010.				
	Moisture Sensitivity Level	Not humidity sensitive.				
	Vibration	Test Condition: 0.75mm ;acceleration:10g;10Hz~500Hz, one cycle per 30 min, test 2 hour. (3 times for each 3 directions X , Y , Z), IEC 68-2-06 Test Fc.				
Shock	50g; 11ms; half sine wave (3 times for each 3 directions X, Y, Z), IEC 68-2-27 Test Ea/Severity 50A.					



## 2. Mechanical Structure (mm)



### PIN FUNCTION

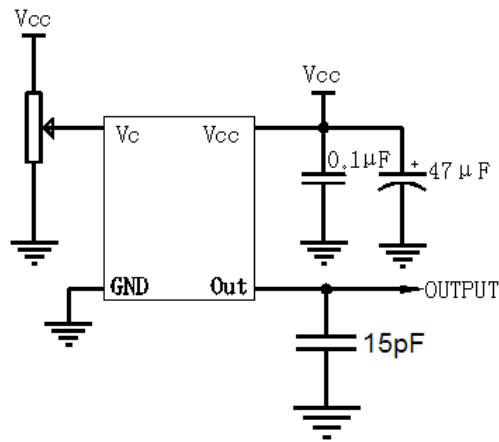
PIN	NOTATION	FUNCTION
1	VC	Control Voltage
2	NC	Not Connect
3	VCC	Supply Voltage
4	OUTPUT	RF Output
5	GND	GND



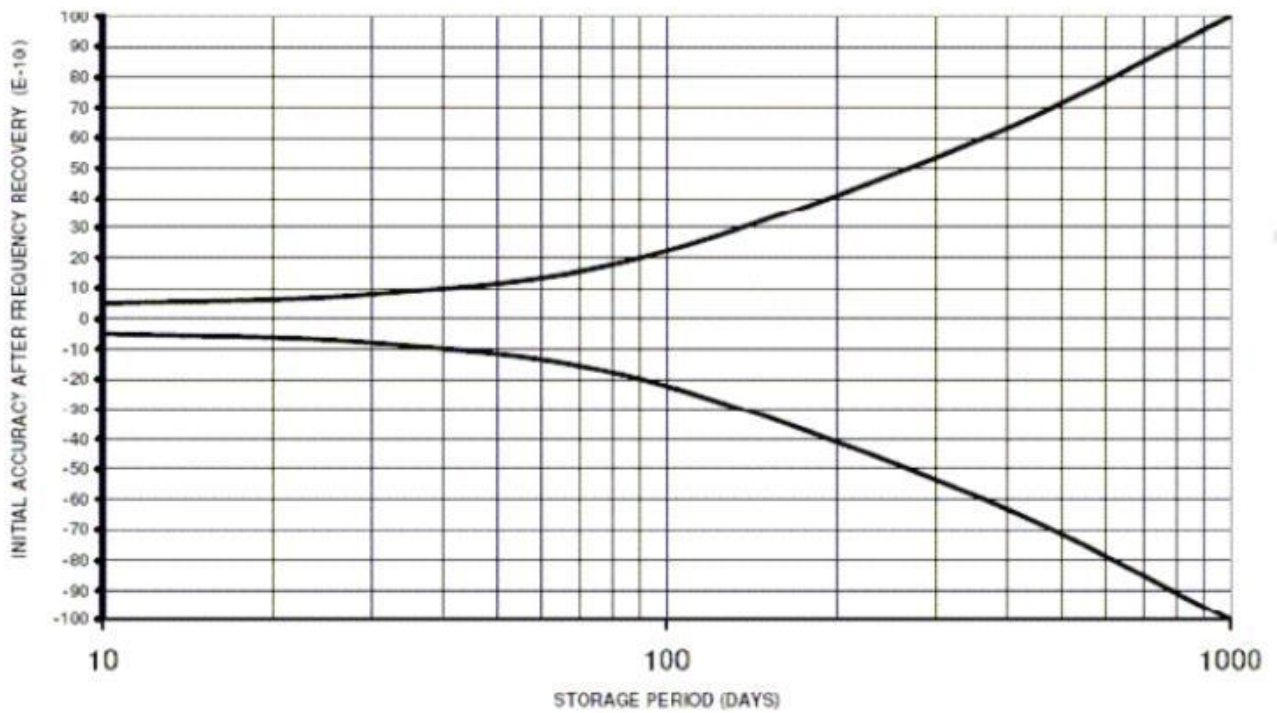
- Note1:** Tolerance  $\pm 0.2$ mm without mark  
**Note2:** The first two xx representative: week  
 After two xx representative: year  
**Note3:** Referential Weight 20.7g  
**Note4:** NC is not connect



### 3. Test Circuit



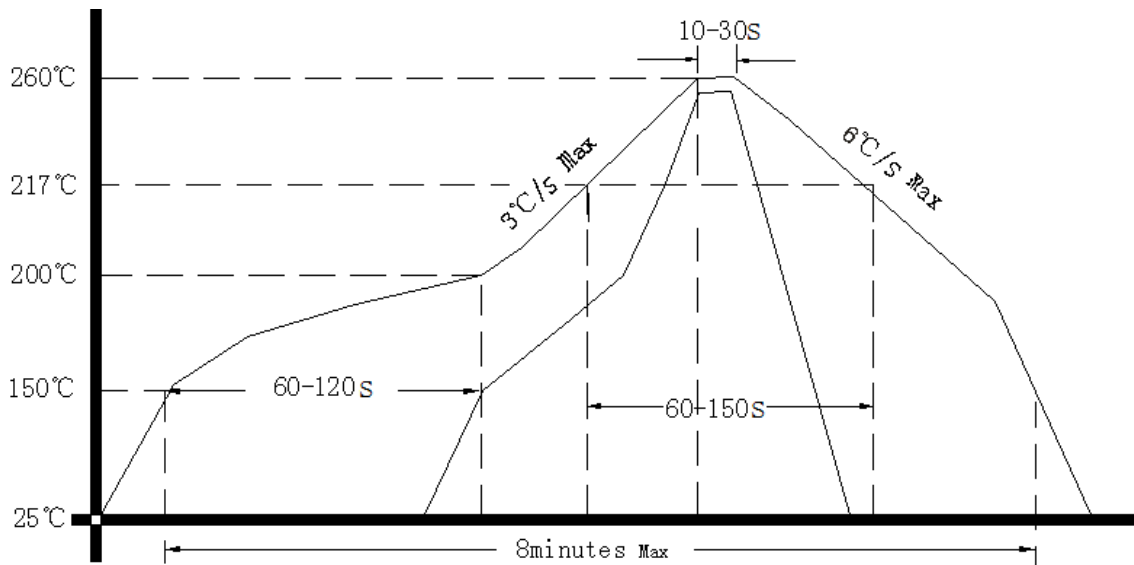
### 4. Initial accuracy at IQC after frequency recovery



Note: Initial accuracy with time of storage and retrace measured at 25 °C after frequency recovery time



### 5. Reflow Soldering Curve(RoHS)



### 6. Package (mm)

