

Customer Code :

# DATASHEET

DAPU P/N: CM22B-G328-10.00MHz

Customer P/N: \_\_\_\_\_

DAPU			Customer Approval
Drew	Audited	Approved	Stamp, please! Thanks!
Date: 2019.05.05			

## Guangdong Dapu Telecom Technology Co., Ltd

Bldg 16, N. Ind. Zone, SSL Industry Park, Dongguan City, Guangdong Province, China

TEL: 0086-0769-88010888 FAX: 0086-0769-81800098





## Table of Content

1. General Description.....	4
2. Pin Definition .....	5
3. Electrical Parameters.....	5
4. Performance.....	6
5. UART.....	7
6. Control and Status Pins .....	7
7. Environmental Conditions.....	8
8. Typical Application .....	9
9. Mechanical Structure (mm).....	10
10. Reflow Soldering Curve (RoHS) .....	10
11. Package (mm) .....	11

DAPU Confidential



## 1. General Description

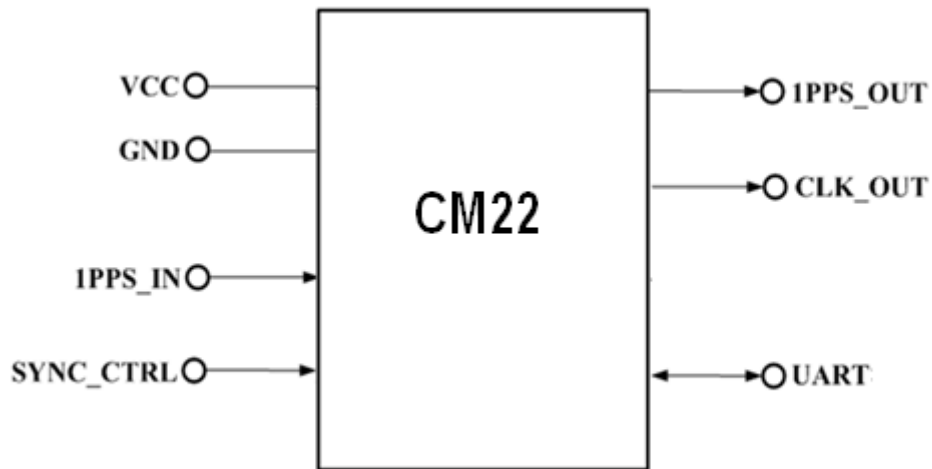


Figure 1 CM22

Figure 1 is the basic diagram of CM22. CM22 is a high-performance clock module designed to provide precise frequency and phase synchronizing with external time reference for telecom and other applications.

### Key features:

- **Reference:** 1PPS and TOD from GNSS receiver, IEEE1588 etc.;
- **Temperature Stability:**  $\pm 0.3$ ppb;
- **Holdover:**  $\pm 1.5\mu\text{s}/8\text{h}$  @  $\Delta T = \pm 5^\circ\text{C}$  after power up 7days;
- **Clocks Input and Output:** 1\*1PPS input, 1\*1PPS output and 1\*10MHz output;
- **Serial Interface:** 1\*UART for management;
- **Mechanical Size:** 20.2mm\*20.2mm\*13.0mm.



## 2. Pin Definition

**Table 1 Pin Definition**

Pin group	Pin#	Pin Name	Type	Description
Supply Voltage	2	GND	GND	Ground
	3	VCC	PWR	Power Supply
Control and Status Pins	1	SYNC_CTRL	I	Synchronizing Procedure Control
UART	5	RXD	I	Asynchronous Serial Data Output/Input
	6	TXD	O	
Input Clock	4	1PPS_IN	I	1PPS Reference Input.
Output Clocks	7	1PPS_OUT	O	1PPS Output
	8	CLK_OUT	O	10.00MHz Output

## 3. Electrical Parameters

**Table 2 Electrical Parameters**

Parameter	Symbol	Minimum	Typical	Maximum	Units
<b>LVC MOS Input</b>					
High Level Input Voltage	$V_{IH}$	2.4			V
Low Level Input Voltage	$V_{IL}$			0.4	V
<b>LVC MOS Output</b>					
High Level Output Voltage	$V_{OH}$	2.4			V
Low Level Output Voltage	$V_{OL}$			0.4	V



## 4. Performance

**Table 3 Performance**

Item	Parameter	Minimum	Typical	Maximum	Units	Test Condition	
Clock Output	Nominal Frequency	10.00			MHz	Synchronizing with 1PPS reference.	
	Duty Cycle	45	50	55	%	Load 15pF	
	Frequency vs. Temperature	-0.3		+0.3	$\times 10^{-9}$	V <sub>cc</sub> =3.3V; O <sub>load</sub> =15pF;T <sub>A</sub> varies from -40°C to 85°C, temperature slope less than 2°C per minute.	
	Accuracy	-5		+5	$\times 10^{-12}$	24 hours average value when locked to 1PPS.	
	Short-term Stability	-0.01		+0.01	$\times 10^{-9}$	V <sub>cc</sub> =3.3V;T <sub>A</sub> =25°C; 1s; no EMI\EMC or other interference.	
	Daily Aging	-0.5		+0.5	$\times 10^{-9}$	V <sub>cc</sub> =3.3V;T <sub>A</sub> =25°C.	
	Yearly Aging	-0.03		+0.03	$\times 10^{-6}$		
	Phase Noise			-110	-100	dBc/Hz	10Hz
				-143	-138		100Hz
				-155	-150		1KHz
			-155	-150	10KHz		
			-155	-150	100KHz		
			-160	-155	1MHz		
1 PPS Output	Pulse Width		100		ms		
	Accuracy	-50		+50	ns	Synchronizing with 1PPS reference.	
	8 hours holdover	-1.5		+1.5	μs	ΔT=±10°C, 8 hours holdover after power up 7 days; temperature slope less than 2°C per minute.	
Supply Voltage	Supply Voltage	3.135	3.3	3.465	V		
	Warm Up Current			750	mA		



	Steady Current			350	mA	@25°C
	AC Ripple			50	mVpk-pk	10Hz to 1MHz

## 5. UART

UART interfaces are used for management and TOD, which has a fixed baud rate (115200) using 1 stop bit and no parity. It is a LVTTTL-compatible port and needs an external translator to work with other signal types (such as RS-232C or RS-485).

## 6. Control Pins

CM22 is a clock module which synchronizes the local clock to reference such as 1 PPS retrieving from GPS. CM22 will work normally performing synchronizing algorithm when the SYNC\_CTRL pin is driven high. It also could be forced to work in free-run or holdover status when the SYNC\_CTRL pin is driven low.

DAPU

Confidential



## 7. Environmental Conditions

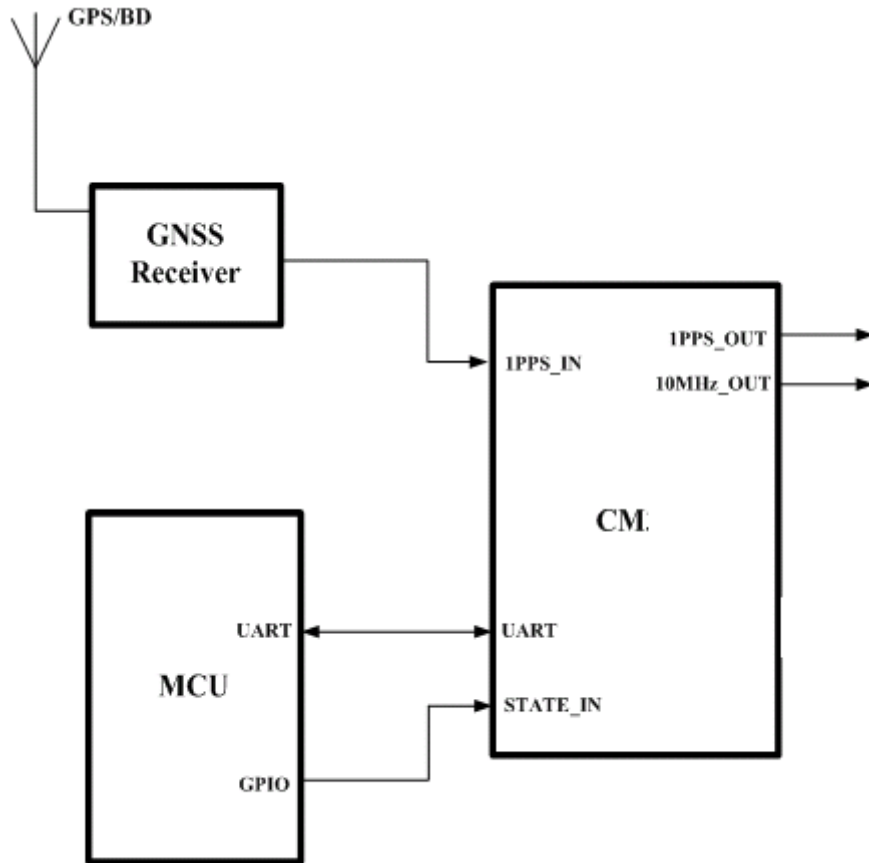
**Table 5 Environmental Conditions**

Parameter	Conditions	
Operating Temperature	-40°C to 85°C	
Storage Temperature	-55°C to 105°C	
Storage Humidity	30%~80%	
ESD Level	Human Body Model, class2: 2000V to 4000V; ANSI/ESDA/JEDEC JS-001-2010.	
	Machine Model, class B: 200V to 400V; ANSI/ESDA/JEDEC JS-001-2010.	
Moisture Sensitivity Level	Not humidity sensitive.	
Vibration	Test Condition: 0.75mm ;acceleration:10g;10Hz~500Hz, one cycle per 30 min, test 2 hour. (3 times for each 3 directions X ,Y , Z), IEC 68-2-06 Test Fc.	
Shock	50g; 11ms; half sine wave (3 times for each 3 directions X,Y,Z),IEC 68-2-27 Test Ea/Severity 50A.	
Relative Humidity	20%~70%	Full Package Storage
Temperature	-10°C~35°C	





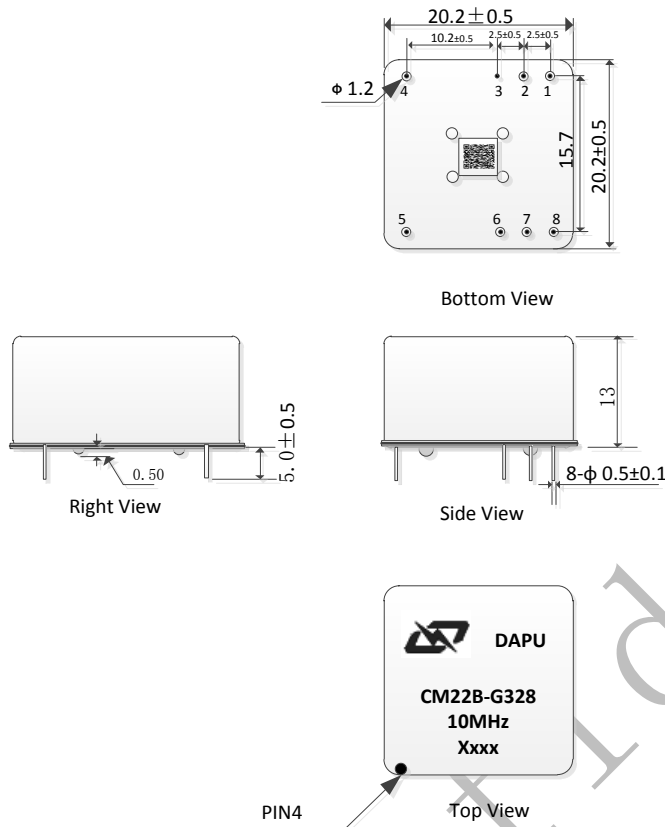
## 8. Typical Application



GNSS Receiver offers 1PPS signal to CM22.  
The MCU monitors the work state of CM22.



### 9. Mechanical Structure (mm)

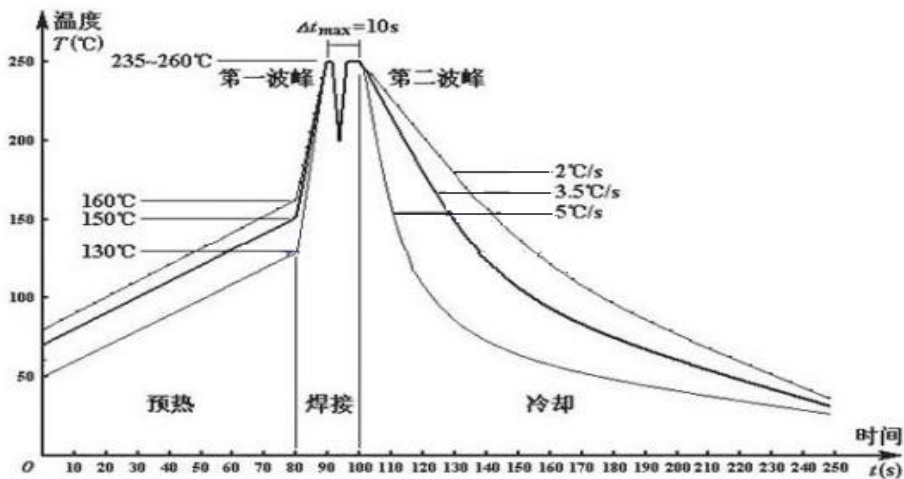


**Note1:** Tolerance  $\pm 0.3$ mm without mark.

**Note2:** WW represents Week.

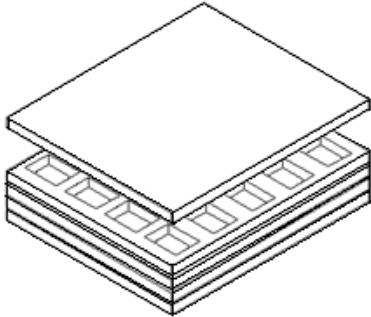
YY represents Year.

### 10. Wave Soldering Curve(RoHS)

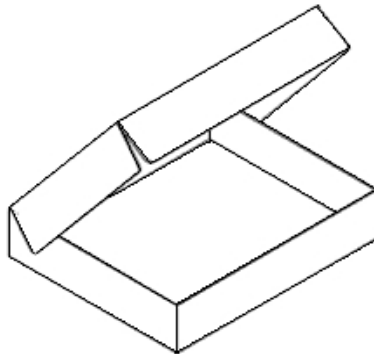




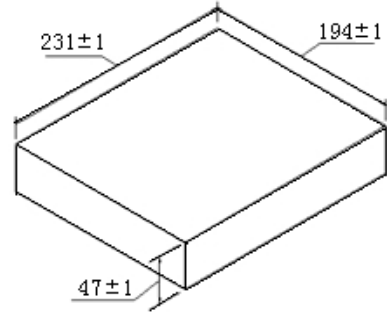
## 11. Package (mm)



Buffer material



Cardboard  
Max 20pcs, circulator



DAPU Confidential