



## SPECIFICATION

Customer : \_\_\_\_\_

Customer P/N : **OS754-D31-90.00MHz**

Agent : \_\_\_\_\_

Agent Code : \_\_\_\_\_

Order Code : \_\_\_\_\_

P/N : \_\_\_\_\_

Customer Approval :

Dongguan DAPU Telecom Technology co.,Ltd	
SALE DEPARTMENT	Date : _____
TEL: 0769-81800088	
FAX: 0769-81800098	
URL <a href="http://www.dptel.com">HTTP://www.dptel.com</a>	Approved By: _____
QUALITY ASSURANCE DEPT	Checked By: _____
TEL:0769-81800088-833	
R&D DEPT.	Designer : _____
TEL:0769-81800088-828	



## 1、 Scope:

- |     |                         |                        |
|-----|-------------------------|------------------------|
| 1.1 | Description:            | SMD Crystal Oscillator |
| 1.2 | Center Frequency:       | 90.00MHz               |
| 1.3 | Dimension & Drawing No: | OS754-D31-90.00MHz     |

## 2、 Construction:

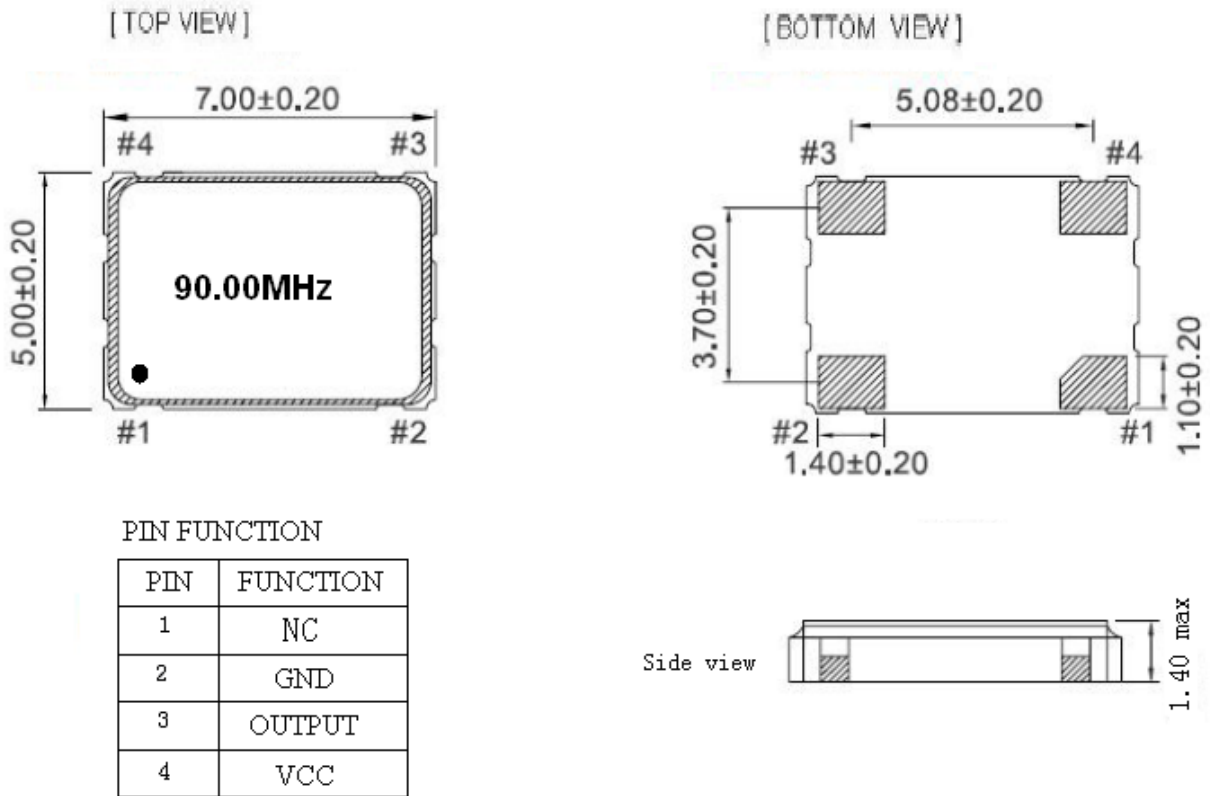
- 2.1 Oscillators series: SMD7×5 XO

## 3、 Electrical Characteristics

- |      |                              |  |
|------|------------------------------|--|
| 3.1  | Nominal Frequency:           | 90.00MHz   |
| 3.2  | Temperature stability        | $\leq \pm 20\text{ppm}$  |
| 3.3  | Aging:                       | $\leq \pm 3\text{ppm/year}$ @ $25^\circ\text{C} \pm 5^\circ\text{C}$ |
| 3.4  | Initial Accuracy             | $\leq \pm 20\text{ppm}$ @ $25^\circ\text{C}$                         |
| 3.5  | Operation Temperature Range: | $-40^\circ\text{C}$ to $+85^\circ\text{C}$                           |
| 3.6  | Storage Temperature Range:   | $-55^\circ\text{C}$ to $+125^\circ\text{C}$                          |
| 3.7  | Input Voltage:               | 3.3Vdc(unalterable)  |
| 3.8  | Current Consumption:         | $\leq 20\text{mA}$   |
| 3.9  | Output Waveform:             | HCMOS  |
| 3.10 | Output Symmetry:             | 45% ~ 55%  |
| 3.11 | Output Voltage $V_{OL}$ :    | $\leq 0.4\text{V}$   |
|      | $V_{OH}$ :                   | $\geq 2.7\text{V}$   |
| 3.12 | Output Load:                 | 15pF   |
| 3.13 | Start-up Time:               | $\leq 10\text{ms}$   |
| 3.14 | Phase Jitter                 | $\leq 1.0\text{ps(RMS)}$ @ 12KHz ~ 20MHz                             |



#### 4 、 Figure

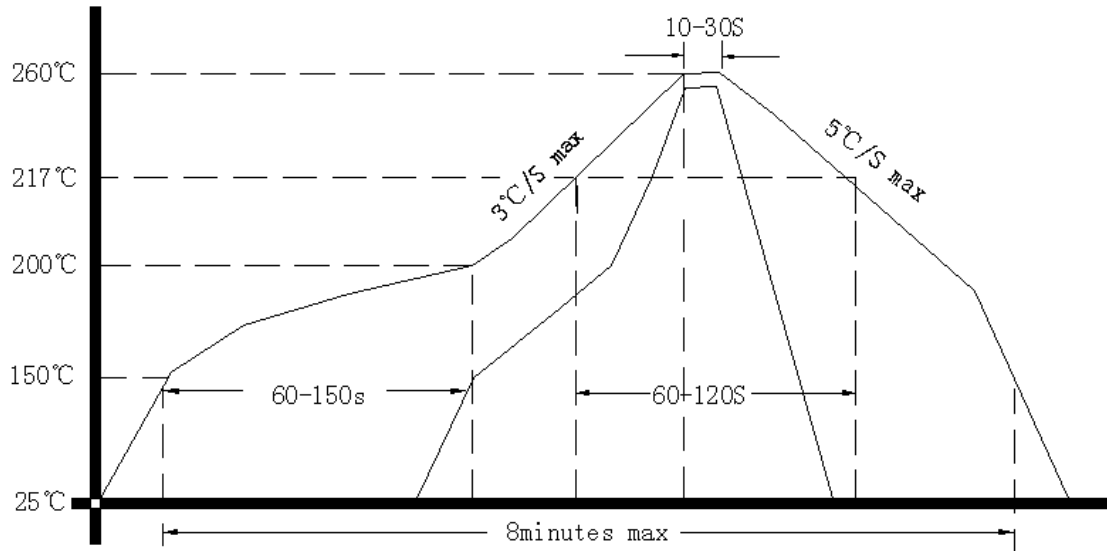


\* Tolerance  $\pm 0.1\text{mm}$  without mark

Unit : mm



## 5、 Reflow Soldering Curve (RoHS)



## 6、 Package: Tape & Reel (mm)

