

Travelling Merchant: \_\_\_\_\_

# DATASHEET

Standard:     **V756-B712-125.00MHz**    

P/N: \_\_\_\_\_

Plot			The Label
Drew	Audited	Approved	Stamp, please! Thanks!
Date: 2013.03.23			

## Guangdong Dapu Telecom Technology Co.,Ltd

Bldg13-16,.N.Ind.Zone,SSL Industry Park, Dongguan City, Guangdong Province, China

TEL: 0086-0769-88010888    FAX: 0086-0769-81800098





## 1. Electrical Parameters

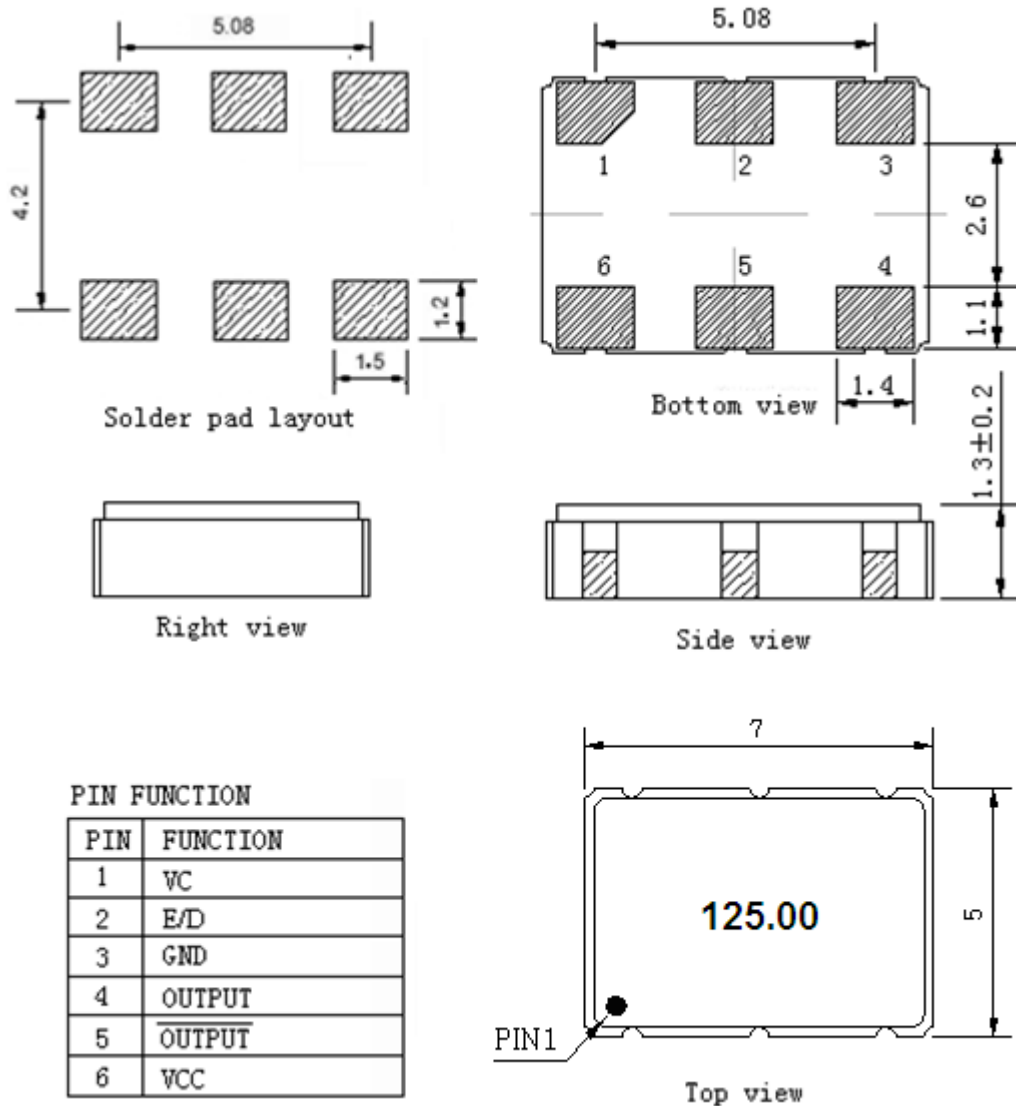
MODEL: V756-B712-125.00MHz						
Item	Description	Parameters			Unit	Test Condition
		Min.	Typ.	Max.		
Output	Frequency	125.00			MHz	
	Output Waveform	LVDS				
	Duty Cycle	45	50	55	%	@50%
	Rise / Fall Time (20%~80%)			0.5	ns	@25°C
	Load	100			Ω	
	Jitter			1	ps	RMS (12KHz ~20MHz)
	Differential Output	247	330	454	mV	
Frequency Stabilities	Frequency Tolerance vs. Operating Temperature Range	-30		+30	$\times 10^{-6}$	$T_A$ varied from -40°C to 85°C, measurement referenced to frequency observed with $T_A=25^\circ\text{C}$ , $V_{cc}=3.3\text{V}$ , $V_c=1.65\text{V}$ , $O_{load}=100\Omega$ Connect to $V_{cc}-2.0\text{V}$ , temperature variable speed less than 2°C per minute.
	Initial Frequency Tolerance	-15		+15	$\times 10^{-6}$	Measurement referenced to frequency observed with $T_A=25^\circ\text{C}$ , $V_{cc}=3.3\text{V}$ , $V_c=1.65\text{V}$ within 30 days after ex-works.
	Frequency Tolerance vs. Supply Voltage	-5		+5	$\times 10^{-6}$	measurement referenced to frequency observed $T_A=25^\circ\text{C}$ , $V_{cc}$ varied from 3.13V to 3.47V, $V_c=1.65\text{V}$ and $O_{Load}=100\Omega$ Connect to $V_{cc}-2.0\text{V}$ .
	Frequency Tolerance vs. Load	-3		+3	$\times 10^{-6}$	5% load change measurement referenced to frequency observed with $T_A=25^\circ\text{C}$ , $V_{cc}=3.3\text{V}$ , $V_c=1.65\text{V}$ and $O_{Load}=100\Omega$ Connect to $V_{cc}-2.0\text{V}$ .
	Aging Tolerance 1 Year	-3		+3	$\times 10^{-6}$	$T_A=25^\circ\text{C}$ , $V_{cc}=3.3\text{V}$ , $V_c=1.65\text{V}$ and after 1h of operation.
Power Supply	Current Consumption			70	mA	@25°C, $O_{Load}=100\Omega$ . Connect to $V_{cc}-2.0\text{V}$
	Supply Voltage	3.13	3.3	3.47	V	
Voltage Control Characteristics	Frequency Tuning Range	-180		-100	$\times 10^{-6}$	$V_c=0\text{V}$ . measurement referenced to $V_c=1.65\text{V}$
		-15		+15	$\times 10^{-6}$	$V_c=1.65\text{V}$ . measurement referenced to exactly 125.00MHz
		+100		+180	$\times 10^{-6}$	$V_c=3.3\text{V}$ . measurement referenced to $V_c=1.65\text{V}$



	Linearity			15	%	
	Slope	Positive				
	Input Impedance	1			MΩ	
Phase Noise	Phase Noise		-65	-60	dBc/Hz	10Hz
			-98	-93		100Hz
			-125	-120		1KHz
			-140	-135		10KHz
			-145	-140		100KHz
			-150	-145		1MHz
Environmental Conditions	Operable Temperature	-40		+85	°C	
	Storage Temperature	-55		+105	°C	
	ESD Level	Human Body Model, class2: 2000V to 4000V; ANSI/ESDA/JEDEC JS-001-2010. Machine Model, class B: 200V to 400V; ANSI/ESDA/JEDEC JS-001-2010.				
	Moisture Sensitivity Level	Level 2.				
	Vibration	Test Condition: 0.75mm ;acceleration:10g;10Hz~2000Hz, one cycle per 30 min, test 2 hour. (3 times for each 3 directions X ,Y , Z), IEC 68-2-06 Test Fc.				
	Shock	100g; 6ms; half sine wave (3 times for each 3 directions X ,Y , Z ),IEC 68-2-27 Test Ea/Severity 50A.				



## 2. Mechanical Structure (mm)



### PIN FUNCTION

PIN	FUNCTION
1	V <sub>C</sub>
2	E/D
3	GND
4	OUTPUT
5	OUTPUT
6	V <sub>CC</sub>

**Note1:** Tolerance ±0.1mm without mark

**Note2:** Referential Weight 0.2g

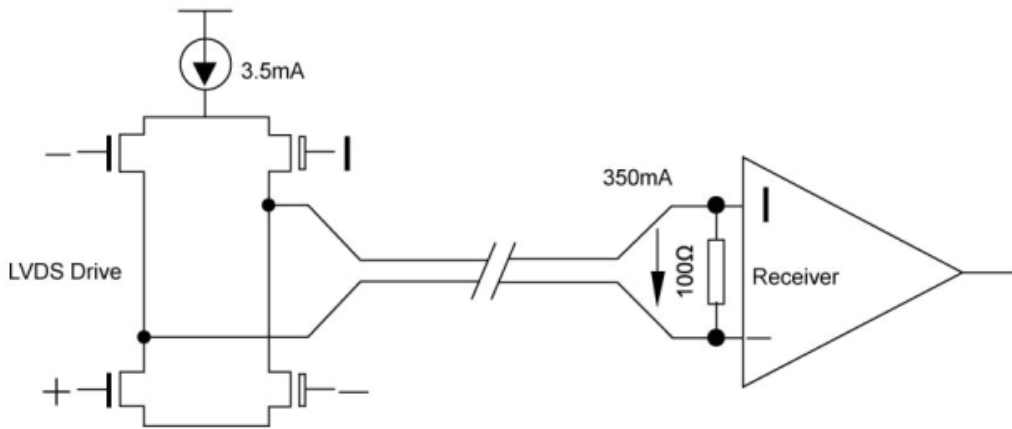
**Note3:** Disable:  $V_{il} \leq V_{CC} - 2.0V$

Enable:  $V_{ih} \geq V_{CC} - 1.025V$

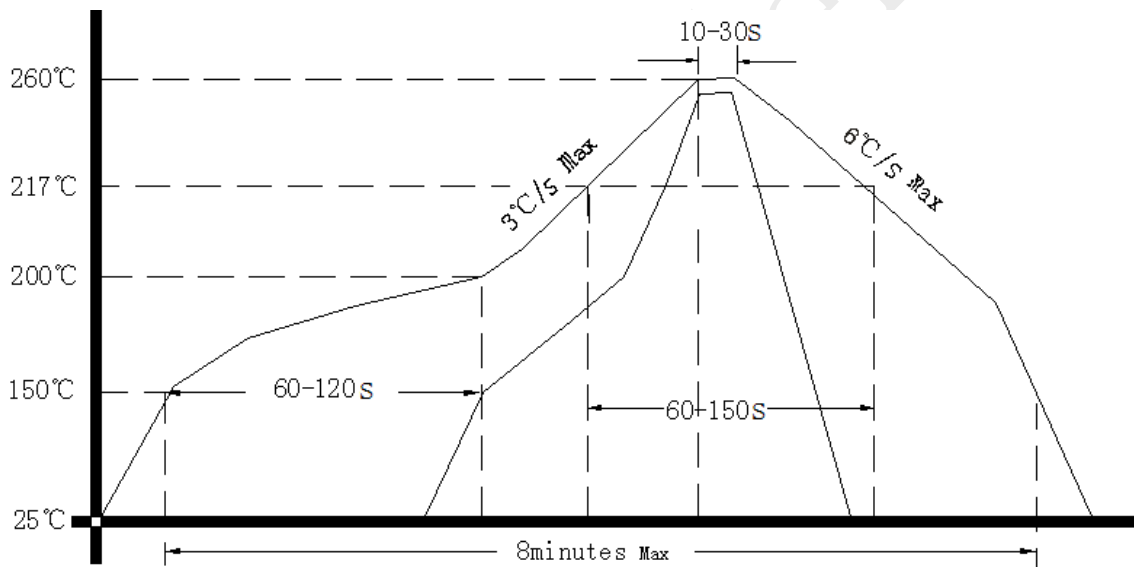
E/D	OUT1	OUT2
high level, open	data	data
low level	no data	no data



### 3. Test Circuit



### 4. Reflow Soldering Curve (RoHS)



### 5. Package: Tape & Reel (mm)

