

Customer Code : _____

DATASHEET

DAPU P/N: 058A-T449-100.00MHz

Customer P/N: _____

DAPU			Customer Approval
Drew	Audited	Approved	Stamp, please! Thanks!
Date: 2019.10.18			

Guangdong Dapu Telecom Technology Co.,Ltd

Bldg13-16,.N.Ind.Zone,SSL Industry Park, Dongguan City, Guangdong Province, China

TEL: 0086-0769-88010888 FAX: 0086-0769-81800098

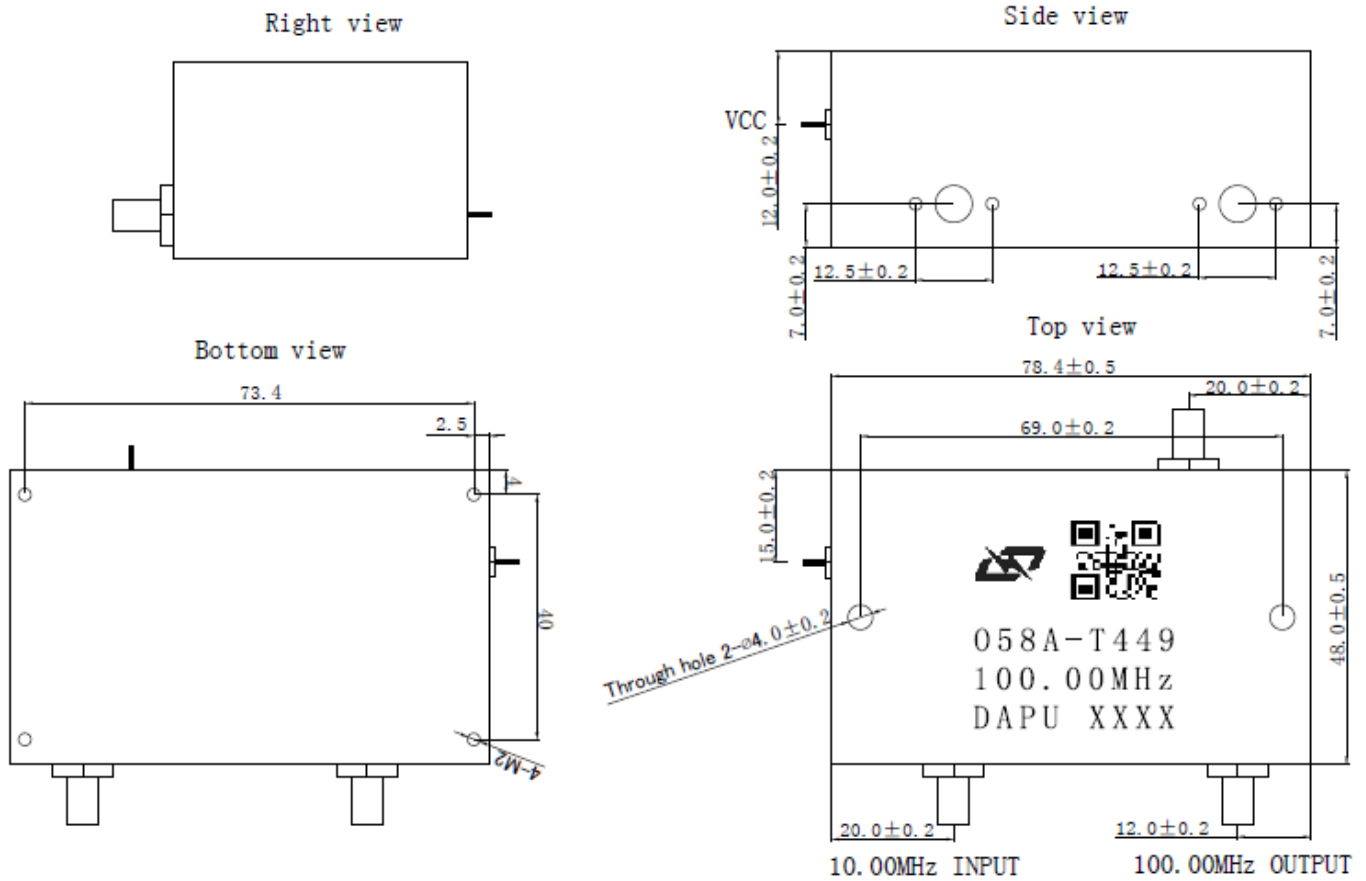


1. Electrical Parameters

MODEL: O58A-T449-100.00MHz						
Item	Description	Parameters			Unit	Test Condition
		Min.	Typ.	Max.		
Input	Frequency	10.00			MHz	
	Input Waveform	Sine Wave				
	Level	1		8	dBm	
	Harmonics Suppression			-30	dBc	
	Spurious Suppression			-70	dBc	
	Input Impedance	50			Ω	
Output 1	Frequency	100.00			MHz	
	Output Waveform	Sine Wave				
	Level	8			dBm	
	Harmonics Suppression			-30	dBc	
	Spurious Suppression			-75	dBc	
	Load	50			Ω	
Output 2	Output Waveform	LVTTTL				
	Output Low Voltage			0.4	V	
	Output High Voltage	2.4			V	
	Display "0" is not locked.					
	Display "1" is locked.					
Power Supply	Steady Consumption			150	mA	
	Warm up current			400	mA	@25°C, V _{cc} =12V, O _{load} =50 Ω .
	Supply Voltage	11.4	12	12.6	V	
Phase Noise	Phase Noise			-100	dBc/Hz	10Hz
				-125		100Hz
				-150		1KHz
Environmental Conditions	Operable Temperature	-40		+75	°C	
	Storage Temperature	-55		+105	°C	
	ESD Level	Human Body Model, class2: 2000V to 4000V; ANSI/ESDA/JEDEC JS-001-2010.				
		Machine Model, class B: 200V to 400V; ANSI/ESDA/JEDEC JS-001-2010.				
	Moisture Sensitivity Level	Not humidity sensitive.				
	Vibration	Test Condition: 0.75mm ;acceleration:10g;10Hz~500Hz~10Hz, test 1 hour. (in 3 directions X , Y , Z), GJB 360B-2009 Test Ea 204.				
Shock	100g; 6ms; half sine wave (3 times for each 3 directions X , Y , Z), GJB 360B-2009 Test Ea 213					
Full Package Storage	Relative humidity (%)	20%~70%				
	Temperature (°C)	-10~35°C				



2. Mechanical Structure(mm)



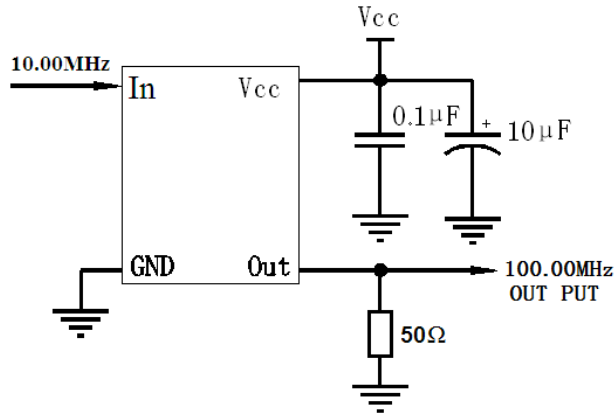
Note1: Tolerance ± 0.2 mm without mark

Note2: The first two xx representative: week
After two xx representative: year

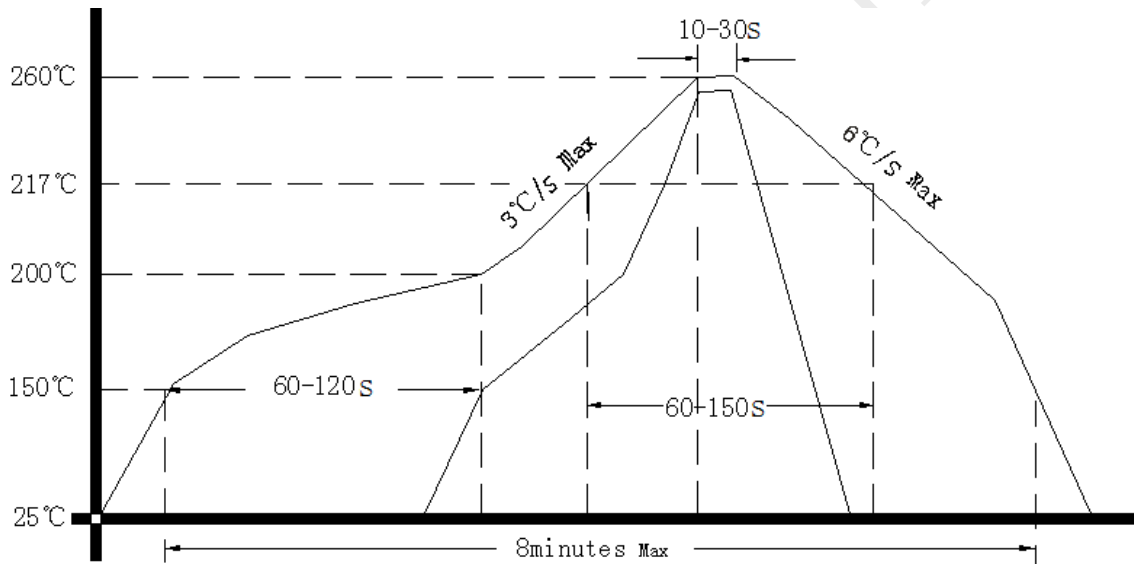
Note3: The connector for "10.00MHz INPUT" "100.00MHz OUTPUT" is detachable



3. Test circuit



4. Reflow Soldering Curve



5. Package (mm)

