

Customer Code : _____

DATASHEET

DAPU P/N: DP7C87040001

Plot			The Label
Drew	Audited	Approved	Stamp, please! Thanks!
Date: 2017.08.14			

Guangdong Dapu Telecom Technology Co.,Ltd

Bldg16,.N.Ind.Zone,SSL Industry Park, Dongguan City, Guangdong Province, China

TEL: 0086-0769-88010888 FAX: 0086-0769-81800098

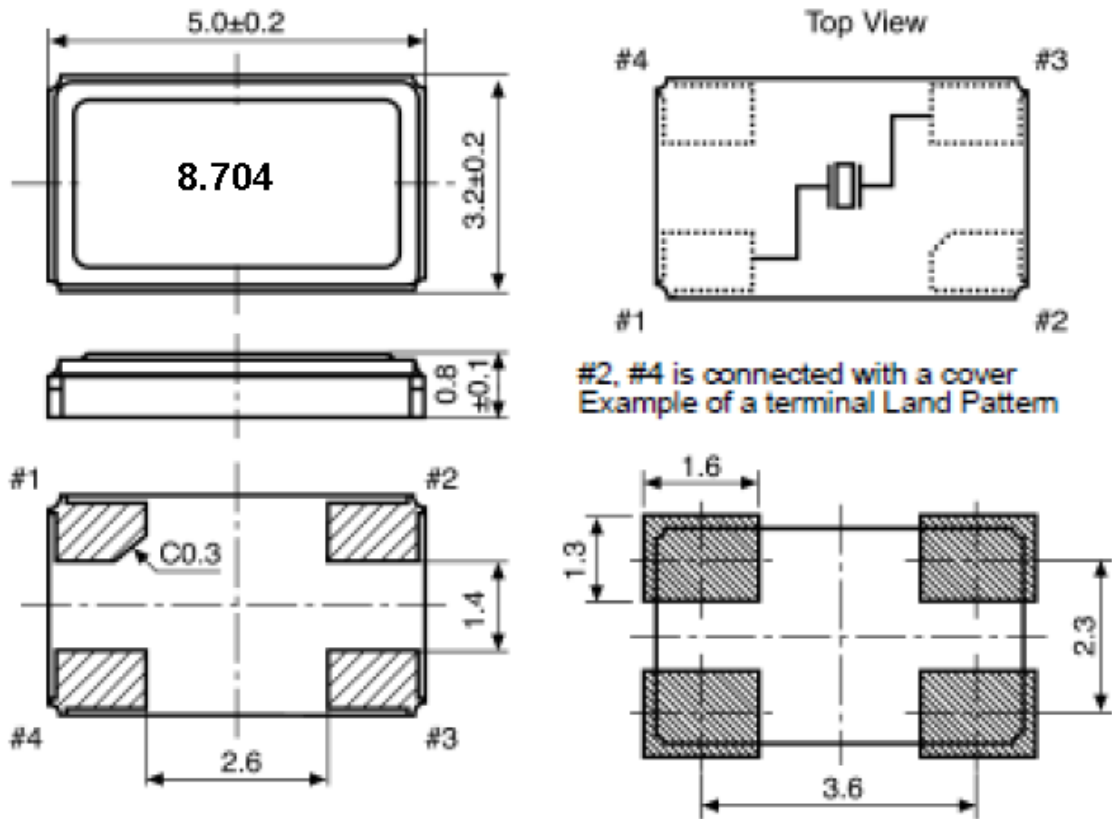


1、Electrical Parameters

MODEL: DP7C87040001							
No.	Parameters	SYM.	Electrical Spec.				Notes
			Min.	Typ.	Max.	Units	
1	Nominal Frequency	FL	8.704			MHz	
2	Mode		AT/Fundamental				
3	Frequency Stability		-30		+30	$\times 10^{-6}$	-40~85℃
	Frequency Tolerance		-30		+30	$\times 10^{-6}$	@25℃
5	Operating Temperature	Topr	-40		+85	℃	
6	Storage Temperature	Tstg	-55		+125	℃	
7	Shunt Capacitance (C0)				5.0	pF	
8	Driver Level			100		μ W	
9	Load Capacitance (CL)		20			pF	
10	Aging	-	-3	-	+3	$\times 10^{-6}$ /yr.	1st. Year at 25℃
11	Equivalent Series Resistance (ESR)				100	Ω	

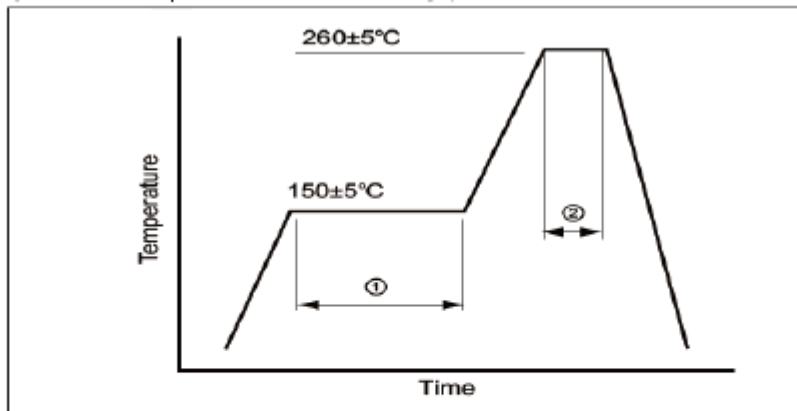


2、 Mechanical Structure(mm)



Note1:Tolerance ±0.2mm without mark

3、 Reflow Condition



①	Preheat	150±5°C	120sec.
②	Peak	260°C	10sec. max.

Total time 200sec. max. Solder melting point: 185°C

The reflow temperature profile may vary depending on the product model, specifications and frequency range. Refer to the individual product specifications for details.

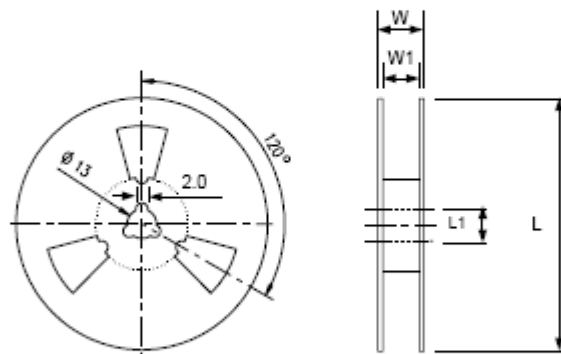
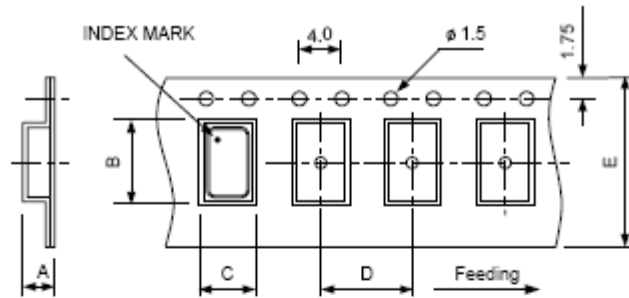


4、 Reliability Specification

Test item	Equipment	Condition	Specification
1.SOLDERABILITY TEST	TBAEI ESPEC(K-1425-14D)	Welding can be temperature: 260 ± 5 °C, 5s(125 °C, 120 SEC preheating Anti-welding temperature: 260 ± 5 °C, soaking time: 10 seconds	MIL-STD-883E Method 2003.7
2. HERMETICITY TEST	Helium leak detectors	1. Small leak: 4.5 KGF/CM ² 2hours 1×10^{-9} -9 PA.M ³ /SEC crude leak: 4.5KGF/CM ² 2hours 1.5×10^{-5} PA.M ³ /SEC	MIL-STD-883E Method 1014.10
3. VIBRATION TEST	Sweep vibration test machines (IMV CO. (VS-300-2)), S & A250B	1 Crystal on 10-2000 Hz, X, Y, Z water level, each 20-minute vibration, a test every four hours, then the sample used to test 250 b	MIL-STD-883E Method 2007.3
4. MECHANICAL SHOCK	TOOL	A high degree of crystal from 150 CM to 150 g of three months from the direction of impact XY23 work hard wooden board	JIS C6701
5.MECHANICAL IMPACT TEST	TOOL	c1000G, 0.5Msec, 3, from the X, Y, Z three-day direction of hard wood boards, then the sample used to test 250 B	MIL-STD-202F Method 213B
6. DROP TEST	Fell hard wood equipment, S & A 250B	Crystal 75 cm in height, falling three times in the hard wooden board	JIS C6701
7. SALT SPRAY	H-SST-60, RC-328A	5% NaCL (sodium carbonate), 35 °C ± 2 °C temperature of the box, 48 hours, PH value: 6.5 to 7.2	
8. HIGH&LOW TEMP STORAGE TEST	TABEL ESPEC(MC-610), S&A 350B/250B	High temperature: 125 °C ± 2 °C, 500 hours; low temperature: -40 °C ± 3 °C, 500hours	MIL-STD-883E Method 1005.8
9. TEMP& HUM CYCLING TEST	TABEI ESPEC (TPC-211) S&A350B/250B	Temperature: 121 ± 1 °C RH100% 2BAI, 240hours	JIS C6701
10. HIGH TEM. & HUM. STORAGE TEST	TBAEL ESPEC (PH-3F) , S&A350B/250B	Temperature: 40 °C ± 2 , Humidity: 65 +3, -2%, storage 96 hours	JIS C5023
11.AGING TEST	PRA(2360)	Temperature: 65 °C ± 2 °C, 1000hours	JIS C6701



5、 Package: Tape & Reel (mm)



	A	B	C	D	E	L	L1	W	W1	pcs / Reel	
DIMENSIONS	7050	2.15	7.9	5.4	8	16	180	13	21.5	17.5	1K
	6035	1.4	6.4	3.9	8	12	180	13	15.4	13	1K
	5032	1.46	5.5	3.6	8	12	180	13	15.4	13	1K
	3225	1.4	3.4	2.7	4	8	180	13	11.5	8	3K
	2520	1.15	2.8	2.25	4	8	180	13	10.5	8	3K
	2016	0.95	2.25	1.85	4	8	180	13	10.5	9	3K
	1612	0.8	1.85	1.45	4	8	180	13	10.5	9	3K