

Customer Code : \_\_\_\_\_

# DATASHEET

DAPU P/N:           **O22A-K119-20.00MHz**          

Customer P/N: \_\_\_\_\_

DAPU			Customer Approval
Drew	Audited	Approved	Stamp, please! Thanks!
Date: 2019.03.19			

## Guangdong Dapu Telecom Technology Co.,Ltd

Bldg13-16,.N.Ind.Zone,SSL Industry Park, Dongguan City, Guangdong Province, China

TEL: 0086-0769-88010888 FAX: 0086-0769-81800098





## 1. Electrical Parameters

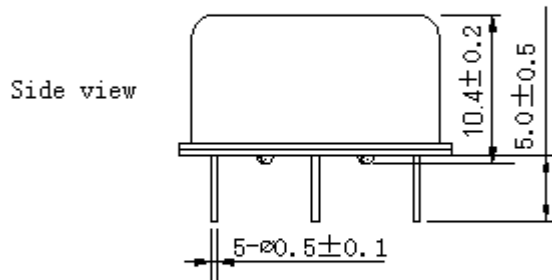
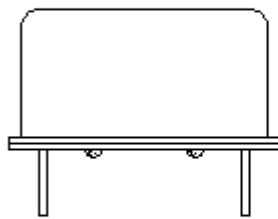
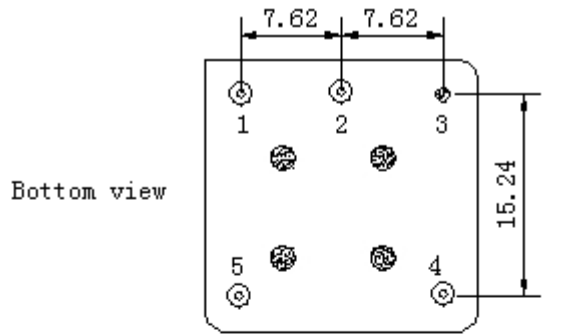
MODEL: O22A-K119-20.00MHZ						
Item	Description	Parameters			Unit	Test Condition
		Min.	Typ.	Max.		
Output	Frequency	20.00			MHz	
	Output Waveform	LVTTL				
	Overshoot			10	%	
	Output Low Voltage			0.4	V	V <sub>cc</sub> =3.3V, load=15pF
	Output High Voltage	2.4			V	V <sub>cc</sub> =3.3V, load=15pF
	Duty Cycle	45	50	55	%	@50%
	Rise / Fall Time (10%~90%)			5	ns	
	Load	13.5	15	16.5	pF	
	Start time			0.5	s	
	Spurious			-70	dBc	
Frequency Stabilities	Frequency Tolerance vs. Operating Temperature Range	-1.0		+1.0	$\times 10^{-9}$	TA varied from -40°C to 85°C, measurement referenced to frequency observed with $f_{ref}=(f_{max}+f_{min})/2$ , V <sub>cc</sub> =3.3V, load=15pF, temperature variable speed less than 2°C per minute.
	Initial Frequency Tolerance	-2.0		+2.0	$\times 10^{-6}$	Measurement referenced to frequency observed with TA=25°C, V <sub>cc</sub> =3.3V, and after 15 minutes of operation, within 30 days after ex-works.
	Frequency Tolerance vs. Supply Voltage	-0.5		+0.5	$\times 10^{-9}$	measurement referenced to frequency observed TA=25°C, V <sub>cc</sub> varied from 3.13V to 3.47V, and Load=15pF.
	Frequency Tolerance vs. Load	-0.5		+0.5	$\times 10^{-9}$	10% load change measurement referenced to frequency observed with TA=25°C, V <sub>cc</sub> =3.3V, and Load=15pF.
	Retrace	-0.01		+0.01	$\times 10^{-6}$	After 24 hour off at 25°C 15min power on
	Short-Term Stability Allan Variance				0.01	$\times 10^{-9}$
				0.005	$\times 10^{-9}$	Temperature stability, no EMI\EMC or other interference, test after power for 1hour ref. to 25°C; 10s, using PN9000 equipment.



	Aging Tolerance Per Day	-0.5		+0.5	$\times 10^{-9}$	Vcc,TA constant measurement referenced to frequency observed with TA=25°C,Vcc=3.3V, and after 30 days of operation.	
	Aging Tolerance 1 Year	-0.05		+0.05	$\times 10^{-6}$		
	Aging Tolerance 10 Year	-0.3		+0.3	$\times 10^{-6}$		
	Aging Tolerance 15 Year	-0.4		+0.4	$\times 10^{-6}$		
Power Supply	Supply Voltage	3.13	3.3	3.47	V		
	Steady Consumption			400	mA	@25°C	
	Warm up current			1200	mA		
	Warm-Up Time			8	minutes	@25°C within $\pm 0.01 \times 10^{-6}$ of final frequency with reference after 1 hour on.	
Phase Noise	Phase Noise		-95	-85	dBc/Hz	1Hz	
			-120	-110		10Hz	
			-140	-130		100Hz	
			-145	-140		1KHz	
			-152	-147		10KHz	
			-152	-147		100KHz	
			-155	-150		1MHz	
Jitter	Jitter			0.5	ps	RMS (12kHz ~5MHz)	
Acceleration sensitivity				4	ppb/g		
Environmental Conditions	Operating environmental condition	-40		+85	°C		
	Operable Temperature range	-40		+90	°C		
	Storage Temperature	-40		+90	°C		
	Relative Humidity	5		85	%		
	ESD Level	Human Body Model, class2: 2000V to 4000V; ANSI/ESDA/JEDEC JS-001-2010.					
		Machine Model, class B: 200V to 400V; ANSI/ESDA/JEDEC JS-001-2010.					
	Moisture Sensitivity Level	Level 3.					
	Vibration	Test Condition: 0.75mm ;acceleration:10g;10Hz~500Hz, one cycle per 30 min, test 2 hour. (3 times for each 3 directions X ,Y , Z), IEC 68-2-06 Test Fc.					
Shock	50g; 11ms; half sine wave (3 times for each 3 directions X, Y, Z), IEC 68-2-27 Test Ea/Severity 50A.						
Full Package Storage	Relative humidity (%)	20%~70%					
	Temperature (°C)	-10~35°C					

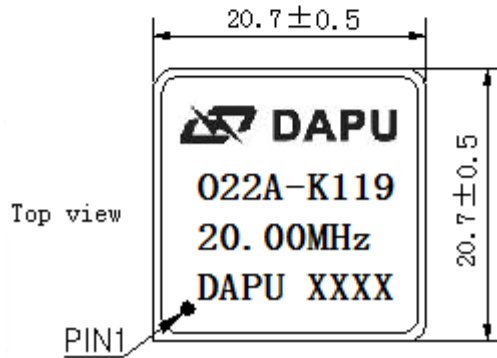


## 2. Mechanical Structure (mm)



### PIN FUNCTION

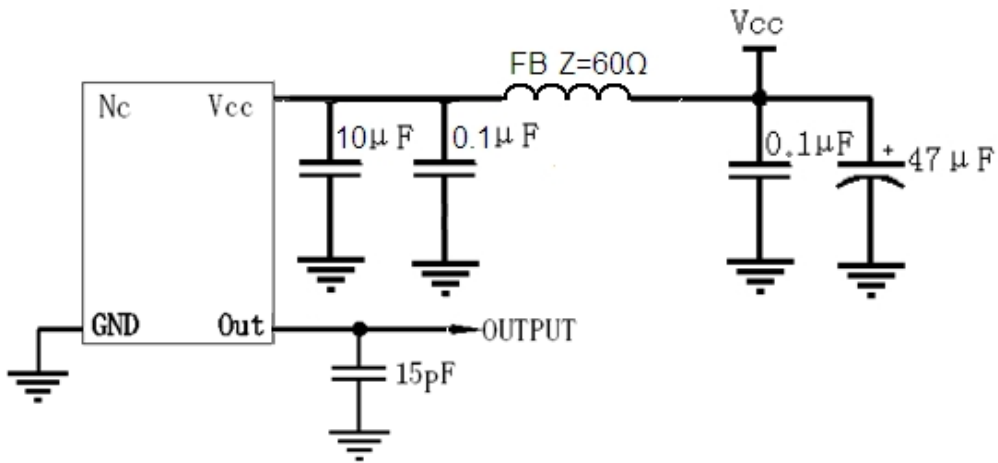
PIN	NOTATION	FUNCTION
1	GND	GND
2	OUTPUT	RF Output
3	VCC	Supply Voltage
4	NC	Not Connect
5	NC	Not Connect



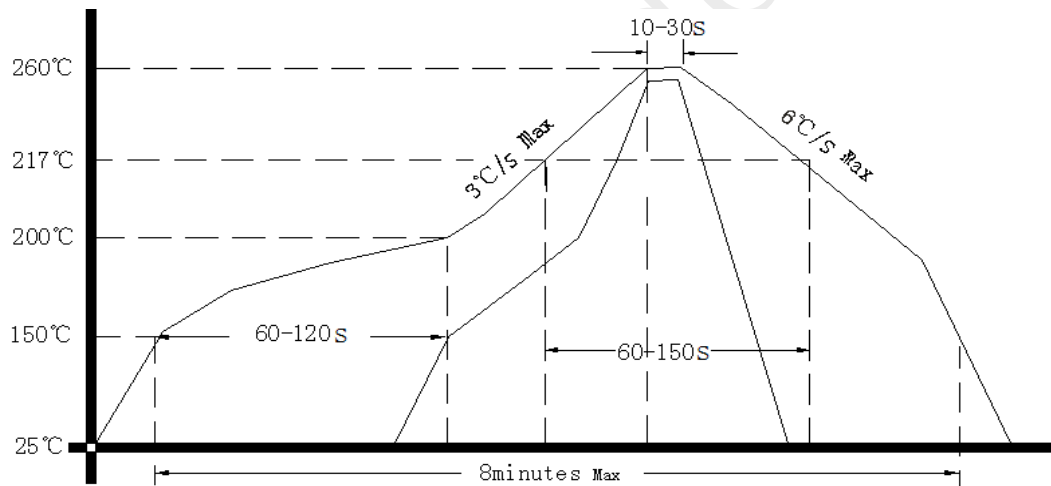
- Note1:** Tolerance  $\pm 0.2\text{mm}$  without mark
- Note2:** The first two xx representative: week  
After two xx representative: year
- Note3:** Referential weight 10.0g
- Note4:** NC is not connect



### 3. Test Circuit



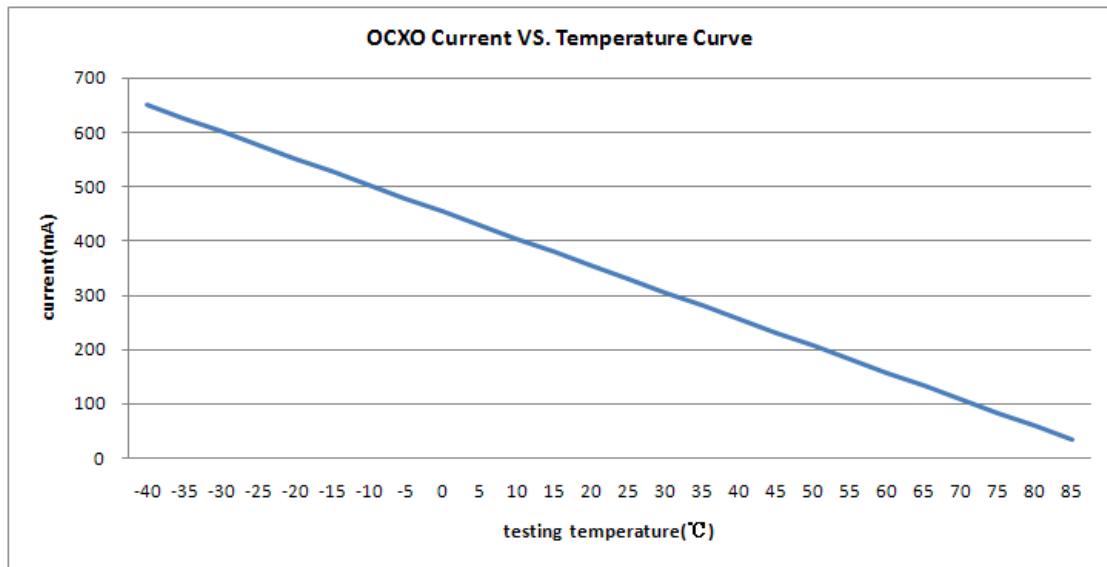
### 4. Reflow Soldering Curve (RoHS)



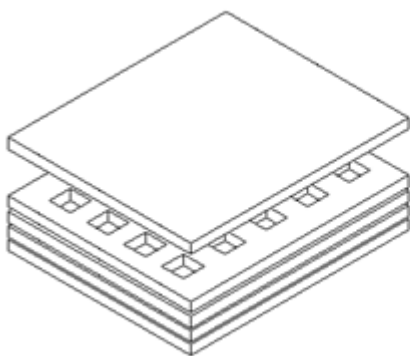
**Note:** passing through reflow upside down is not supported



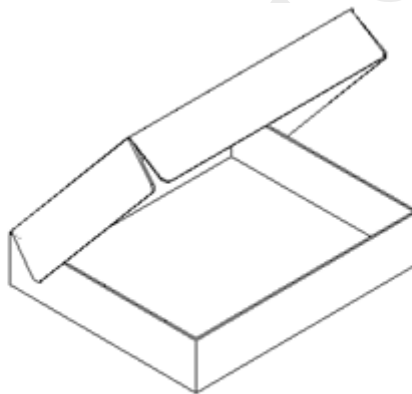
## 5. Current vs. Temperature Curve



## 6. Package (mm)



Buffer material



Cardboard  
Max 20pcs. circulator

