

Customer Code: _____

DATASHEET

DAPU P/N: DP7X2500011

Y32NN250012/2P Y32NN250012

DAPU			Customer Approval
Drew	Audited	Approved	Stamp, please! Thanks!
Date: 2019.06.24			

Guangdong Dapu Telecom Technology Co.,Ltd

Bldg16,.N.Ind.Zone,SSL Industry Park, Dongguan City, Guangdong Province, China

TEL: 0086-0769-88010888 FAX: 0086-0769-81800098

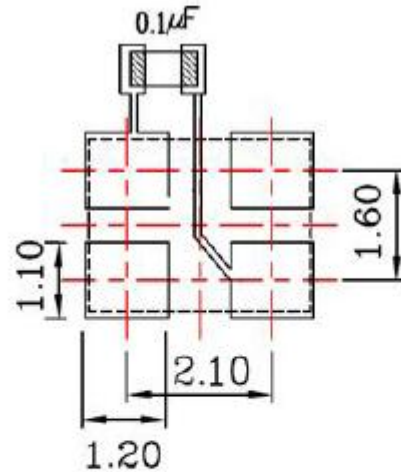
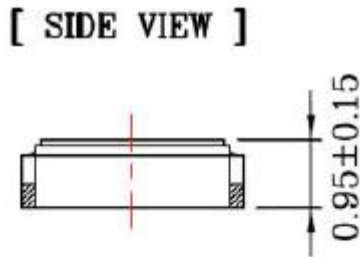
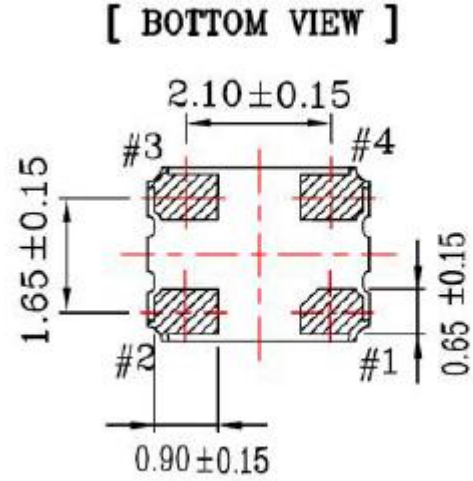
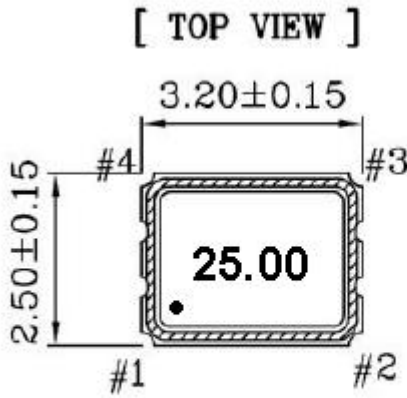


1、Electrical Parameters

MODEL: DP7X2500011							
No.	Parameters	SYM.	Electrical Spec.				Notes
			Min.	Typ.	Max.	Units	
1	Nominal Frequency	FL	25.00			MHz	
2	Output Waveform		CMOS				
3	Symmetry	-	45	~	55	%	
4	Frequency Tolerance	-	-25		+25	$\times 10^{-6}$	-40°C ~ +85°C
5	Operating Temperature	Topr	-40	~	+85	°C	
6	Storage Temperature	Tstg	-40	~	+125	°C	
7	Supply Voltage	VDD	2.2	2.5	3.0	V	
8	Current Consumption	Icc	-		2.0	mA	
9	Stand-by Current			0.5	1.5	μA	
10	Output Load:	CL			15	pF	
11	Output Voltage High	VoH	90% Vcc	-	-	V	VoH=-3mA
12	Output Voltage Low	Vol	-	-	10% Vcc	V	VoL=3mA
13	Input Voltage High	VIH	80% Vcc	-	-		
14	Input Voltage Low	VIL	-	-	20% Vcc		
15	Aging	-			±5	ppm/yr.	1st. Year at 25°C
16	Start up time				10	ms	
17	Rise/ Fall Time	Tr/Tf	-	-	4	ns	20%-80% VCC Level
18	ESD Level	Human Body Model,class2: 2000V to 4000V; ANSI/ESDA/JEDEC JS-001-2010.					
		Machine Model, class B: 200V to 400V; ANSI/ESDA/JEDEC JS-001-2010.					
19	Moisture Sensitivity Level	Level 2.					
20	Vibration	Test Condition: 0.75mm ;acceleration:10g;10Hz~2000Hz, one cycle per 30 min, test 2 hour. (3 times for each 3 directions X , Y , Z) .IEC 68-2-06 Test Fc.					
19	Shock	100g; 6ms; half sine wave (3 times for each 3 directions X , Y , Z),IEC 68-2-27 Test Ea/Severity 50A.					
21	Full Package Storage	Relative humidity (%)		20% ~ 70%			
		Temperature (°C)		-10~35°C			



2、Mechanical Structure(m



Unit:mm

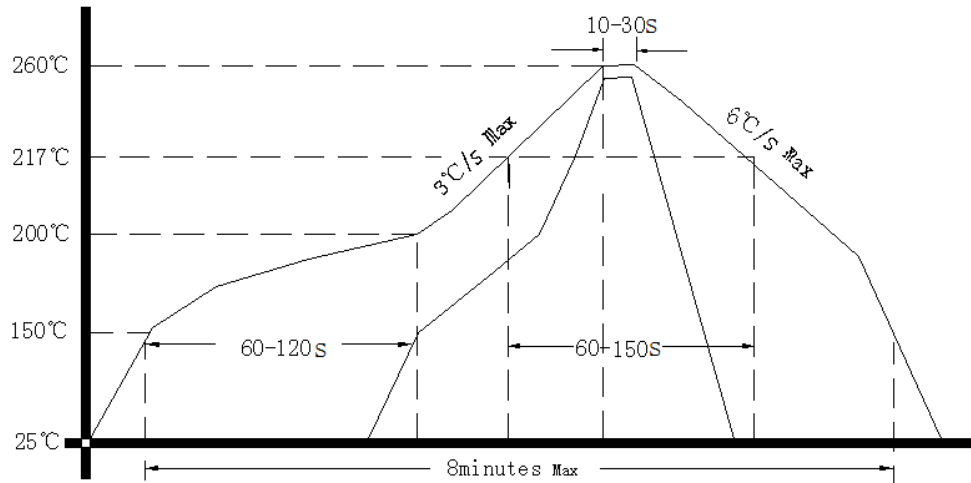
Pin	Function
#1	Tri-State
#2	GND
#3	Output
#4	V _{DD}

☆ To ensure optimal oscillator performance.
Place a by-pass capacitor of 0.1µF as
close to the part as possible between
VDD and GND pads.

Note1: Tolerance ±0.2mm



3、 Reflow Soldering Curve (RoHS)



4、 Package: Tape & Reel (mm)

