

Travelling Merchant: S018

DATASHEET

Standard: T75B-E312-12.80MHz

Plot			The Label
Drew	Audited	Approved	 2011/06/21 Stamp, please! Thanks!
Date:			

Guangdong Dapu Telecom Technology Co.,Ltd

Bldg13,.N.Ind.Zone,SSL Industry Park, Dongguan City, Guangdong Province, China

TEL: 0086-0769-88010888 FAX: 0086-0769-81800098



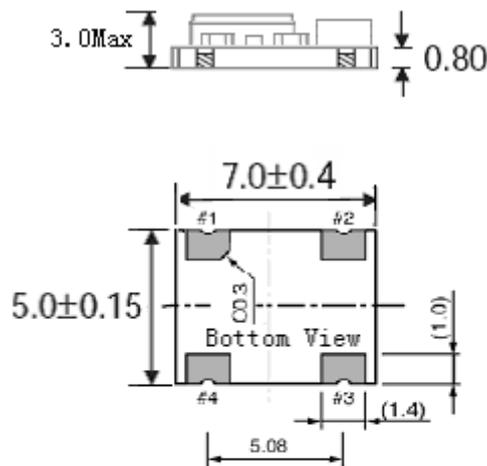
1、Electrical Parameters

MODEL: T75B-E312-12.80MHz						
Item	Description	Parameters			Unit	Test Condition
		Min.	Typ.	Max.		
Output	Frequency	12.80			MHz	
	Output Waveform	HCMOS				
	Output low voltage			0.4	V	V _{CC} =3.3 V, O _{load} =15pF
	Output high voltage	2.7			V	V _{CC} =3.3V, O _{load} =15pF
	Duty Cycle	45	50	55	%	
	Rise / Fall time			5	ns	10% ~90%
	Load	15			pF	
Frequency Stabilities	Frequency Tolerance vs. Operating Temperature Range	-1		+1	ppm	T _A varied from 0°C to 70°C, measurement referenced to frequency observed with T _A =25°C, V _{CC} = 3.3V, V _C =1.65V, O _{load} =15pF .
	Initial Frequency Tolerance	-1		+1	ppm	Measurement referenced to frequency observed with T _A = 25°C, V _{CC} =3.3V, V _C = 1.65V and after 5s of operation, within 30 days after ex-works.
	Frequency Tolerance vs. Supply Voltage	-0.3		+0.3	ppm	measurement referenced to frequency observed T _A =25°C, V _{CC} varied from 3.13V to 3.47V, V _C =1.65V and O _{Load} =15pF.
	Frequency Tolerance vs. Load	-0.2		+0.2	ppm	5% load change measurement referenced to frequency observed with T _A =25°C, V _{CC} =3.3V. O _{Load} = 15pF.
	Aging Tolerance Per Day	-0.02		+0.02	ppm	V _{CC} , V _C , T _A constant measurement referenced to frequency observed with T _A = 25°C, V _{CC} =3.3V, V _C =1.65V and after 30 days of operation.
	Aging Tolerance 1 Year	-1		+1	ppm	
Power Supply	Current Consumption		5		mA	@25°C
	Supply Voltage	3.13	3.3	3.47	V	
Voltage Control Characteristics	Frequency Tuning Range			-8	ppm	V _C = 0V. measurement referenced to V _C =1.65V
		-1		+1	ppm	V _C =1.65V. measurement referenced to exactly 12.80MHz



		+8			ppm	V _C =3.3V. measurement referenced to V _C =1.65V
	Linearity			10	%	
	Slope	Positive				
	Input Impedance	100			K Ohm	
Phase Noise	Phase Noise		-135		dBc/Hz	1KHz
Environmental Conditions	Operable Temperature	0		+70	°C	
	Storage Temperature	-40		+85	°C	
	Vibration	Test Condition: 0.75mm ;acceleration:10g;10Hz~2000Hz, one cycle per 30 min, test 2 hour. (3 times for each 3 directions X , Y , Z)				
	Shock	100g; 6ms; half sine wave (3 times for each 3 directions X , Y , Z),IEC 68-2-27 Test Ea/Severity 50A.				
	Drop	Test Condition: free drop on steel-made surface or rigid plane from a height of 100cm,IEC 68-2-32.				

2、Mechanical Structure(mm)



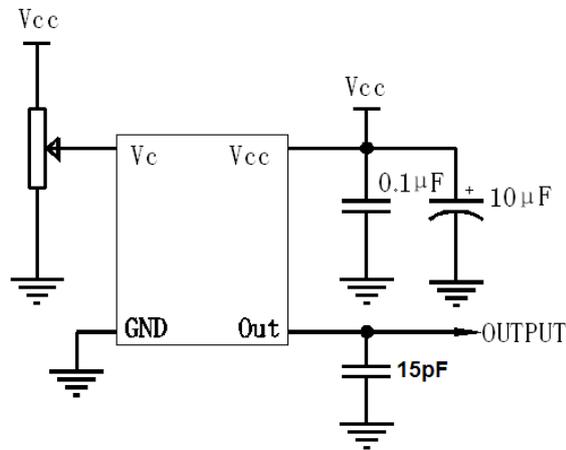
Pin Connections

#1	V _c
#2	GND
#3	Output
#4	V _{cc}

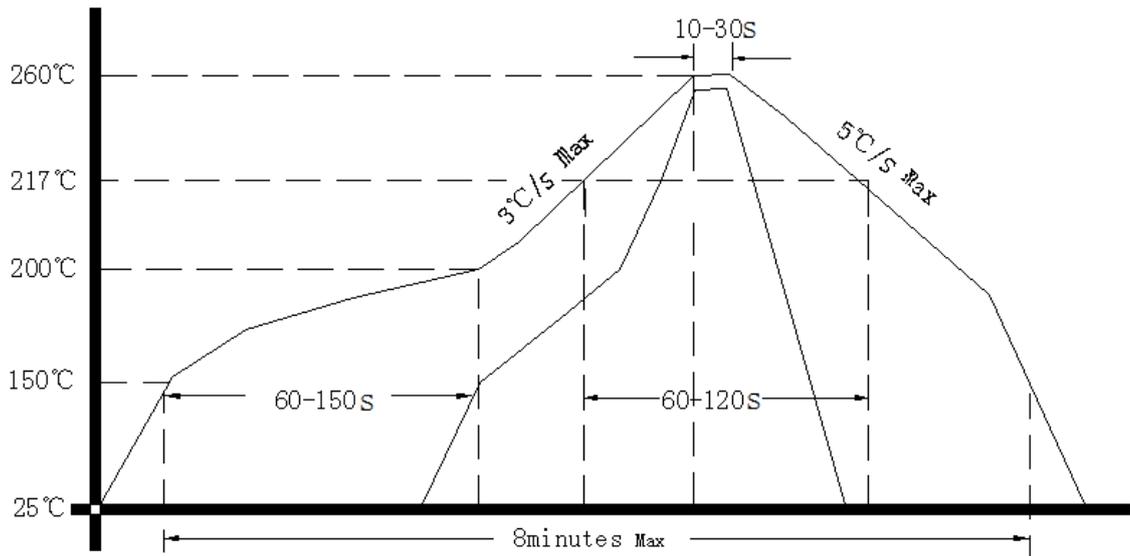
Note: Referential Weight 0.3g



3、 Test Circuit



4、 Reflow Soldering Curve (RoHS)



5、 Package: Tape & Reel (mm)

