

Travelling Merchant: _____

DATASHEET

Standard: T75B-ACAFCN-12.80MHz

Plot			The Label
Drew	Audited	Approved	Stamp, please! Thanks!
Date: 2017.11.29			

Guangdong Dapu Telecom Technology Co.,Ltd

Bldg13,.N.Ind.Zone,SSL Industry Park, Dongguan City, Guangdong Province, China

TEL: 0086-0769-88010888 FAX: 0086-0769-81800098



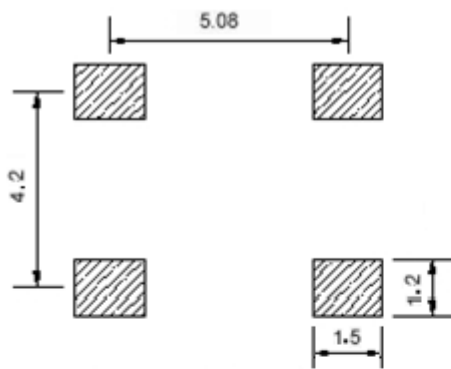
1、Electrical Parameters

MODEL: T75B-ACAFCN-12.80MHZ						
Item	Description	Parameters			Unit	Test Condition
		Min.	Typ.	Max.		
Output	Frequency	12.80			MHz	
	Output Waveform	CMOS				
	Output Low Voltage			+0.4	V	V _{CC} =3.3V, O _{load} =1~3TTL
	Output High Voltage	+2.8			V	V _{CC} =3.3V, O _{load} =1~3TTL
	Duty Cycle	45	50	55	%	@50%
	Rise / Fall Time			4	ns	10%~90%
	Load	1		3	TTL	
Frequency Stabilities	Frequency Tolerance vs. Operating Temperature Range	-1		+1	× 10 ⁻⁶	T _A varied from -20°C to 70°C, measurement referenced to frequency observed with T _A =25°C, V _{CC} = 3.3V, O _{load} = 1~3TTL.
	Frequency Tolerance vs. Supply Voltage	-0.3		+0.3	× 10 ⁻⁶	measurement referenced to frequency observed T _A =25°C, V _{CC} varied from 3.13V to 3.47V and O _{Load} = 1~3TTL.
	Frequency Tolerance vs. Load	-0.2		+0.2	× 10 ⁻⁶	5% load change measurement referenced to frequency observed with T _A =25°C, V _{CC} =3.3V.
	Overall Tolerance	-4.6		+4.6	× 10 ⁻⁶	@25°C, Temperature -20 to 70°C, Supply Voltage 3.3V (unalterable), Load variation, Aging 20 years.
	Aging Tolerance Per Day	-0.02		+0.02	× 10 ⁻⁶	V _{CC} , T _A constant measurement referenced to frequency observed with T _A = 25°C, V _{CC} =3.3V, and after 30 days of operation.
	Aging Tolerance 1 Year	-1		+1	× 10 ⁻⁶	
Power Supply	Current Consumption			4	mA	@25°C
	Supply Voltage	3.13	3.3	3.47	V	
Environmental Conditions	Operable Temperature	-20		+70	°C	
	Storage Temperature	-40		+85	°C	

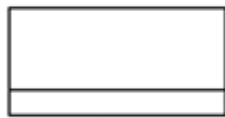


	Vibration	Test Condition: 0.75mm ;acceleration:10g;10Hz~2000Hz, one cycle per 30 min, test 2 hour. (3 times for each 3 directions X ,Y , Z)
	Shock	100g; 6ms; half sine wave (3 times for each 3 directions X ,Y , Z),IEC 68-2-27 Test Ea/Severity 50A.
	Drop	Test Condition: free drop on steel-made surface or rigid planes from a height of 100cm, IEC 68-2-32.

2、 Mechanical Structure(mm)



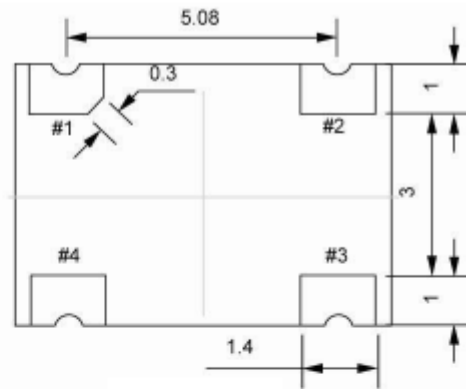
Solder pad layout



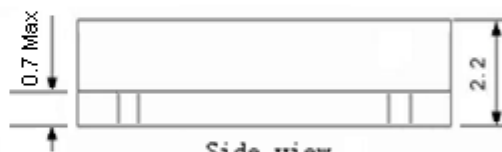
Right view

PIN FUNCTION

1	NC	Not Connect
2	GND	GND
3	OUTPUT	RF Output
4	VCC	Supply Voltage



Bottom view



Side view



Top view

Note1: Tolerance $\pm 0.20\text{mm}$ without mark

Note2: The first two xx representative: week

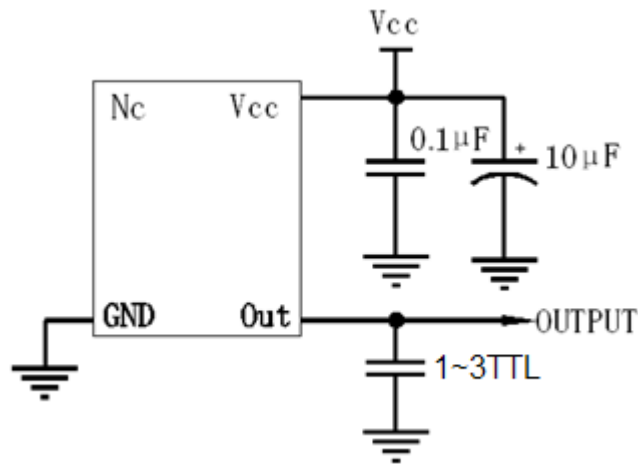
After two xx representative: year

Note3: Referential weight 0.2g

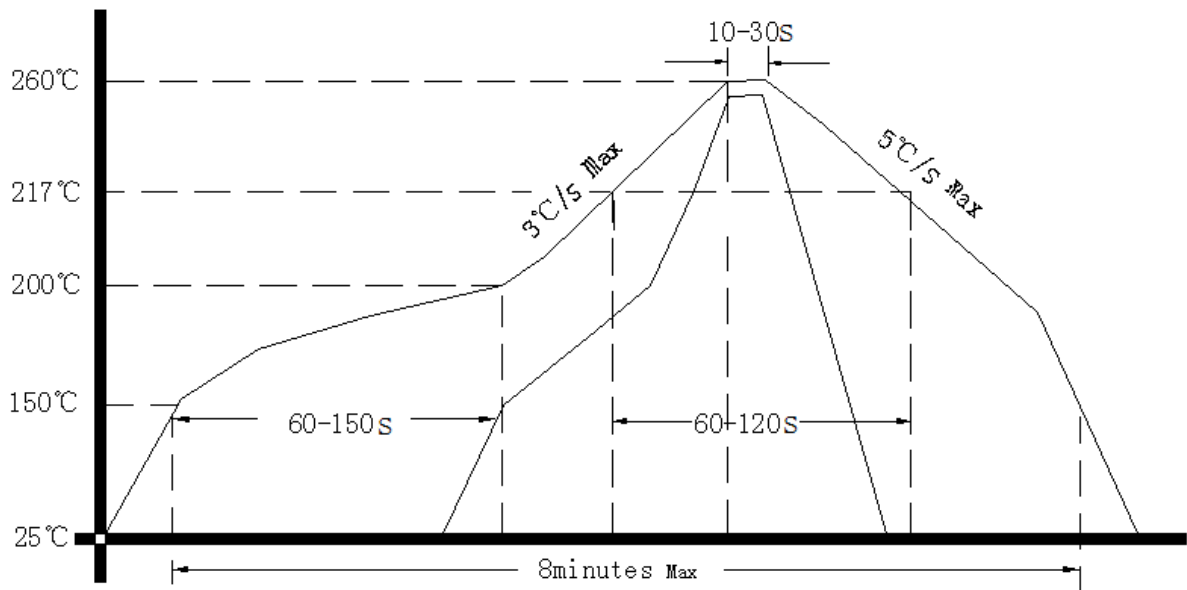
Note4: NC is not connect



3、 Test Circuit



4、 Reflow Soldering Curve (RoHS)



5、 Package: Tape & Reel (mm)

