

Travelling Merchant: \_\_\_\_\_

# DATASHEET

Standard:     **T75D-BCAD-10.00MHz**    

Plot			The Label
Drawing	Auditing	Approve	Stamp, please! Thanks!
Date: _____			

**Dongguan Dapu Telecom Technology Co.,Ltd**

No.1 New City Street,Songshan Lake Science Park, Dongguan City,Guangdong province, PRC CHINA

TEL: 0086-0769-88010888 FAX: 0086-0769-81800098



## The parameter of product

### MODEL: T75D-BCAD-10.00MHz

#### 1. Output

- |                                  |                                      |
|----------------------------------|--------------------------------------|
| 1.1. Nominal Frequency           | 10.00MHz                             |
| 1.2. Waveform                    | HCMOS                                |
|                                  | $V_{oh} \geq 2.8V, V_{ol} \leq 0.4V$ |
| 1.3. Duty cycle                  | 45%~55% @ 50%                        |
| 1.4. Rise / Fall time (10% ~90%) | $\leq 6ns$                           |

#### 2. Frequency Stabilities

- |   |   |
|---|---|
| 2.1. Stability vs. operating temp. rang | $\leq \pm 5.0 \times 10^{-7}$ @ -40°C ~ +85°C ref. to 25 °C |
| 2.2. Aging                              | $\leq \pm 1.0 \times 10^{-8}$ / day                         |
|   | $\leq \pm 5.0 \times 10^{-7}$ / first year                  |

#### 3. Supply Voltage

- |                     |                 |
|---------------------|-----------------|
| 3.1. Supply Voltage | +3.3V $\pm 5\%$ |
|---------------------|-----------------|

#### 4. Current

- |                          |                |
|--------------------------|----------------|
| 4.1. Current consumption | 3.0mA(Typical) |
|--------------------------|----------------|

#### 5. Electrical frequency adjustment

- |                           |                                |
|---------------------------|--------------------------------|
| 5.1. Control voltage      | 1.65 $\pm$ 1.0VDC (VC=1.65VDC) |
| 5.2. Linearity            | $\leq 10\%$                    |
| 5.3. Frequency adjustment | $\geq \pm 5ppm$                |
| 5.4. Slope                | Positive                       |

#### 6. Phase noise

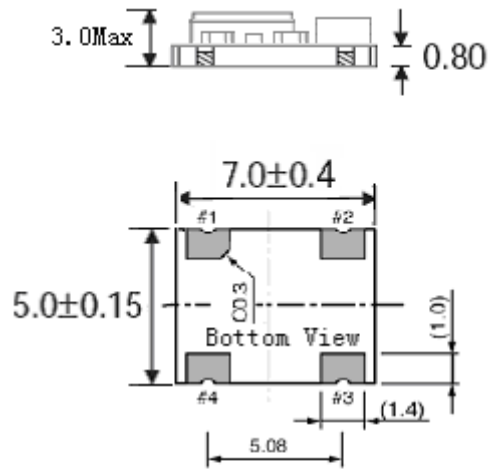
- |           |                      |
|-----------|----------------------|
| 6.1. 1KHz | -130dBc/Hz (Typical) |
|-----------|----------------------|

#### 7. Environmental conditions

- |                                 |                |
|---------------------------------|----------------|
| 7.1. Operable temperature range | -40°C to +85°C |
| 7.2. Storage temperature range  | -45°C to +90°C |



8. Mechanical



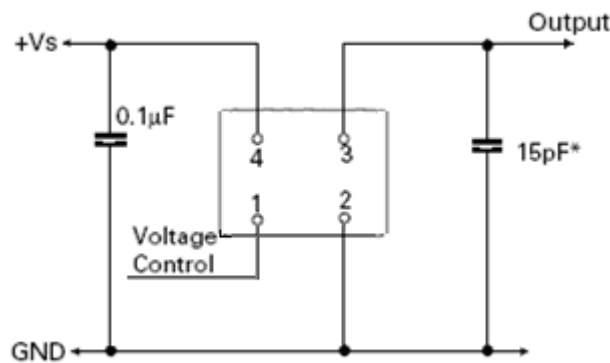
Pin Connections

#1	Vc
#2	GND
#3	Output
#4	Vcc

**Note:** The bottom view means that the stitches are against the people

**Unit : mm**

9. Test circuit





10. Reflow Soldering Curve (RoHS)

