

Customer Code : \_\_\_\_\_

# DATASHEET

DAPU P/N: DP7X12500004

\_\_\_\_\_

Plot			The Label
Drew	Audited	Approved	Stamp, please! Thanks!
Date: 2019.01.24			

**Guangdong Dapu Telecom Technology Co.,Ltd**

Bldg16,.N.Ind.Zone,SSL Industry Park, Dongguan City, Guangdong Province, China

TEL: 0086-0769-88010888 FAX: 0086-0769-81800098



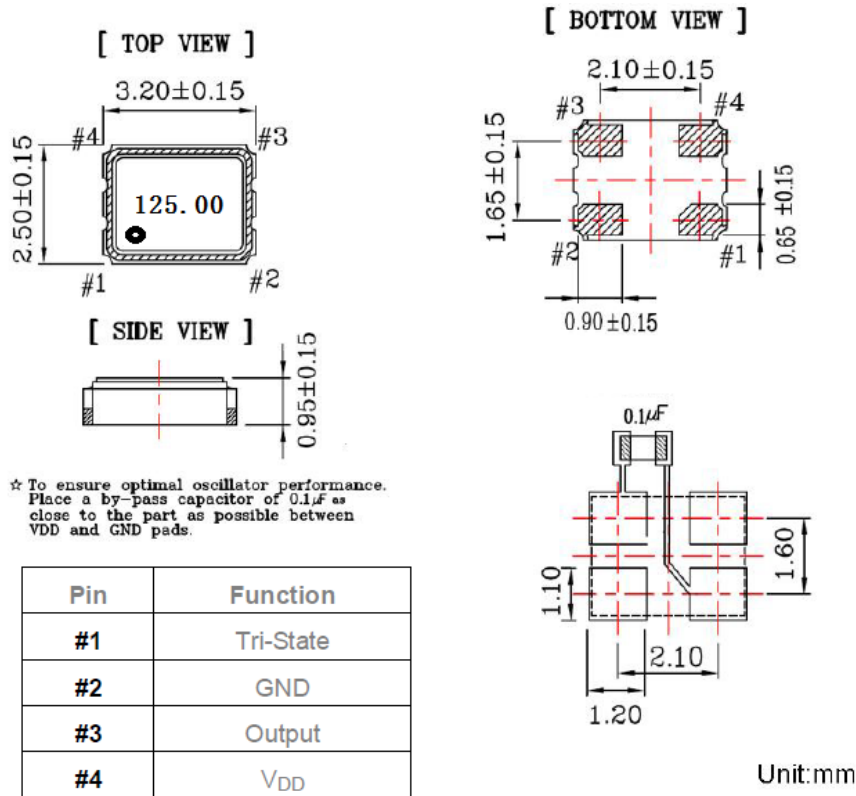
## 1、Electrical Parameters

MODEL: DP7X12500004							
No	Parameters	SYM.	Electrical Spec.				Notes
			Min.	Typ.	Max.	Units	
1	Nominal Frequency	FL	125.00			MHz	
2	Output Waveform		CMOS				
3	Supply Voltage		2.97	3.3	3.63	V	
4	Frequency Stability (Overall)	F-stab	-30		+30	$\times 10^{-6}$	Frequency stability includes frequency tolerance@25 °C and frequency stability vs. operating temperature range and voltage variance and first year aging.
5	Operating Temperature	T-opr	-40	~	+85	°C	The operating temperature range over which the frequency stability is measured.
6	Storage Temperature	T-stg	-55	~	+125	°C	
7	Current		-		25	mA	At maximum supply voltage
8	Rise/Fall Time	Tr、 Tf			2	ns	
9	Output Load				15	pF	
10	Aging		-3		+3	$\times 10^{-6}$	Frequency drift in first year
11	Duty Cycle	DC	45	50	55	%	
12	Output Voltage High	VOH	2.97	-	-	V	
13	Output Voltage Low	VOL	-	-	0.33	V	
14	Tri-State	Output Active	2.31 or Floating	-	-	V	Pin 1 Tri-state
		Output in High-Impedance state	-	-	0.99	V	
15	Start Time	T_start	-	-	2.0	ms	
16	Period Jitter (Pk-Pk)				40	ps	
17	Phase Noise	Phase Noise			-105	dBc/Hz	100Hz
					-120		1KHz
					-139		10KHz
					-140		100KHz



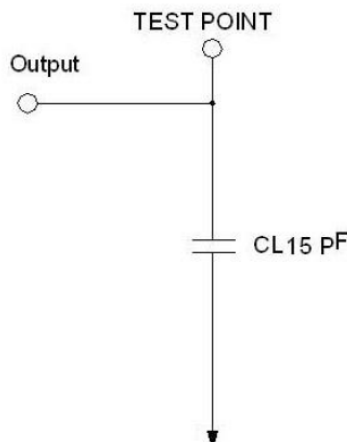
18	Vibration Test	MIL-STD-883 2007 Condition A	10~2000Hz, 1.52mm, 20g, each axis for 4 hrs
		JESD22-B103 Condition 1	
19	Thermal Shock	MIL-STD-883 1010 Condition B	-55°C, 125°C; soak time is 10 mins, with total 200 cycles
		JESD22-A104 Condition B	
20	Mechanical Shock	MIL-STD-883 2002 Condition B	1500g, half-sine, 0.5ms, each axis for 3 times.
		JESD22-B104 Condition B	

## 2、Mechanical Structure(mm)



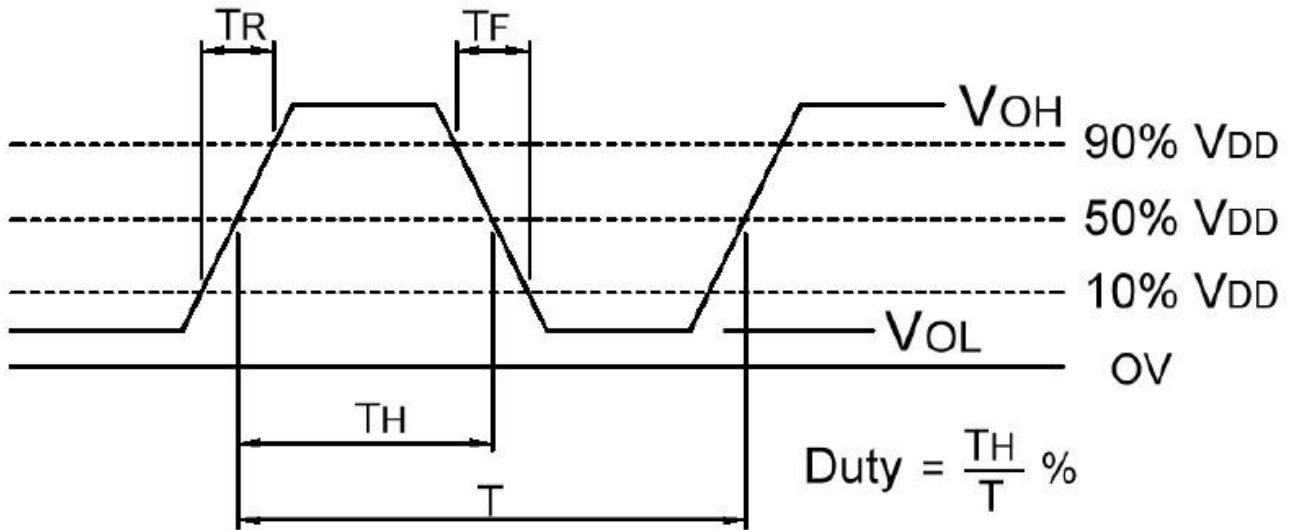
Note1:Tolerance±0.2mm without mark

## 3、Test Circuit (CMOS LOAD)



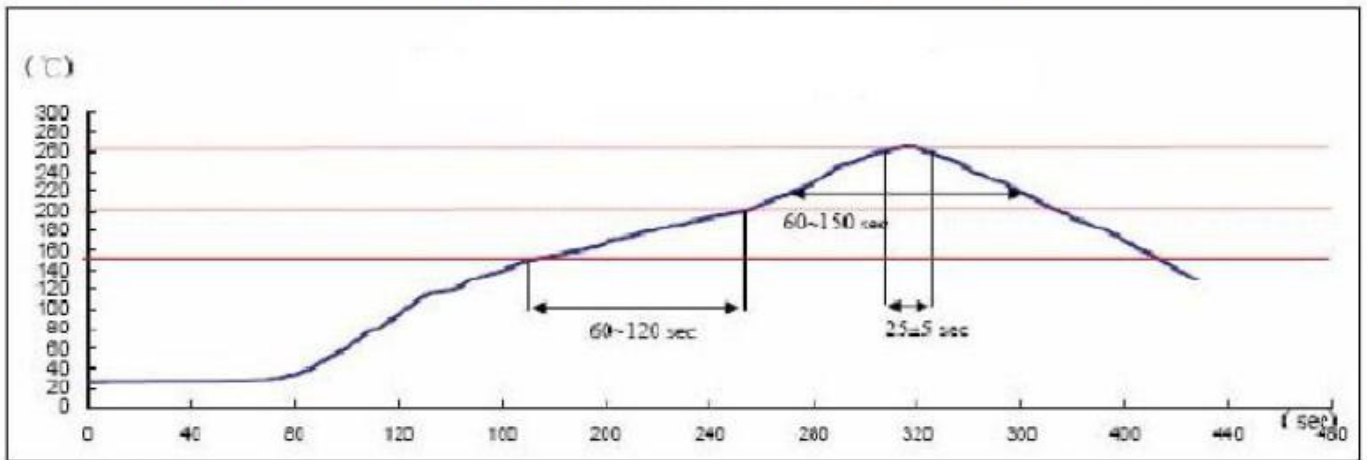


#### 4、 Output Waveform(CMOS LOAD)



#### 5、 RECOMMENDED IR REFLOW PROFILE

##### ➤ IR REFLOW PROFILE OF CERAMIC SMD PRODUCTS FOR Pb FREE PROCESS



IR-Reflow Test

Reference Standard : JEDEC-STD 020

Test Conditions: Pre-heating : 150°C to 200 °C , 60~120 sec

Heating : 217 °C , 60~150 sec

Peak Temperature : 260±5 °C , 25±5 sec



## 6、 Package: Tape & Reel (mm)

