

Travelling Merchant: _____

DATASHEET

Standard: **DP6P12000002**

Plot			The Label
Drew	Audited	Approved	Stamp, please! Thanks!
Date: 2018.02.23			

Guangdong Dapu Telecom Technology Co.,LTD

Bldg13-16,.N.Ind.Zone,SSL Industry Park, Dongguan City, Guangdong Province, China

TEL: 0086-0769-88010888 FAX: 0086-0769-81800098

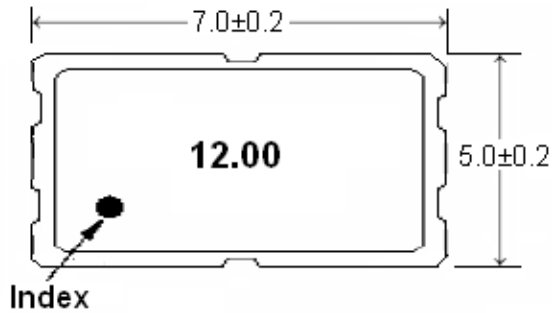


1、 Electrical Parameters

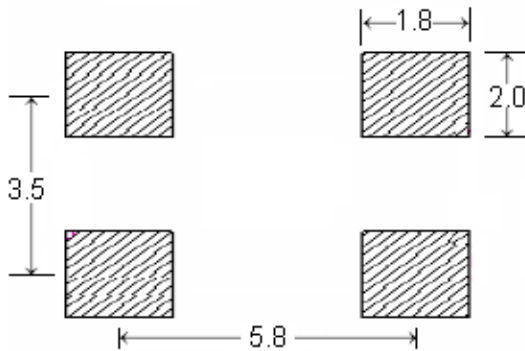
MODEL: DP6P12000002							
No.	Parameters	SYM.	Electrical Spec.				Notes
			Min.	Typ.	Max.	Units	
1	Nominal Frequency	FL	12.00			MHz	
2	Oscillation Mode	-	Fundamental			-	
3	Load Capacitance	CL	16			pF	
4	Frequency Tolerance	-	-20	-	+20	$\times 10^{-6}$	at 25°C± 3°C
5	Frequency Stability	-	-30	-	+30	$\times 10^{-6}$	Over Operating Temp. Range (Reference 25°C)
6	Operating Temperature	-	-40	~	+85	°C	
7	Storage Temperature Range	-	-55	~	+125	°C	
8	Aging	-	-5	-	+5	$\times 10^{-6}$	1st Year
9	Drive Level	DL	-	10	-	uW	
10	Effective Resistance Rr	Rr	-	-	50	Ω	
11	Shunt Capacitance C0	C0	-	-	7	pF	
12	Insulation Resistance	-	500	-	-	MΩ	at DC 100V
13	ESD Level	Human Body Model,class2: 2000V to 4000V; ANSI/ESDA/JEDEC JS-001-2010					
		Machine Model, class B: 200V to 400V; ANSI/ESDA/JEDEC JS-001-2010					
14	Moisture Sensitivity Level	Level 2					
15	Vibration	Test Condition: 0.75mm ;acceleration:10g;10Hz~2000Hz, one cycle per 30 min, test 2 hour. (3 times for each 3 directions X ,Y , Z). IEC 68-2-06 Test Fc.					
16	Shock	100g; 6ms; half sine wave (3 times for each 3 directions X ,Y , Z),IEC 68-2-27 Test Ea/Severity 50A.					



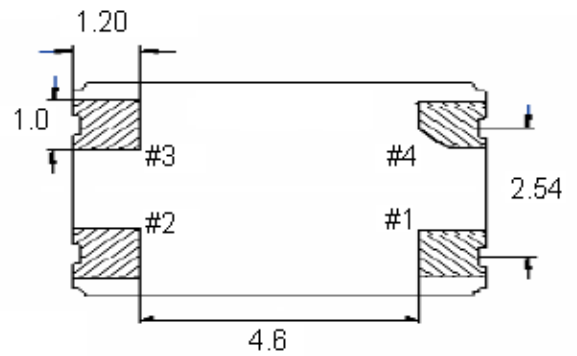
2、Mechanical Structure(mm)



Suggest Land Pattern

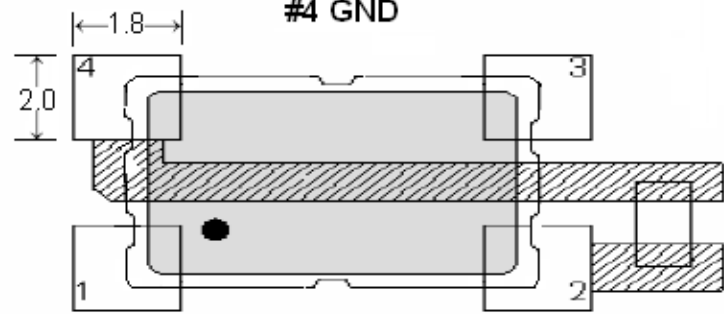


(Top View)



(Bottom View)

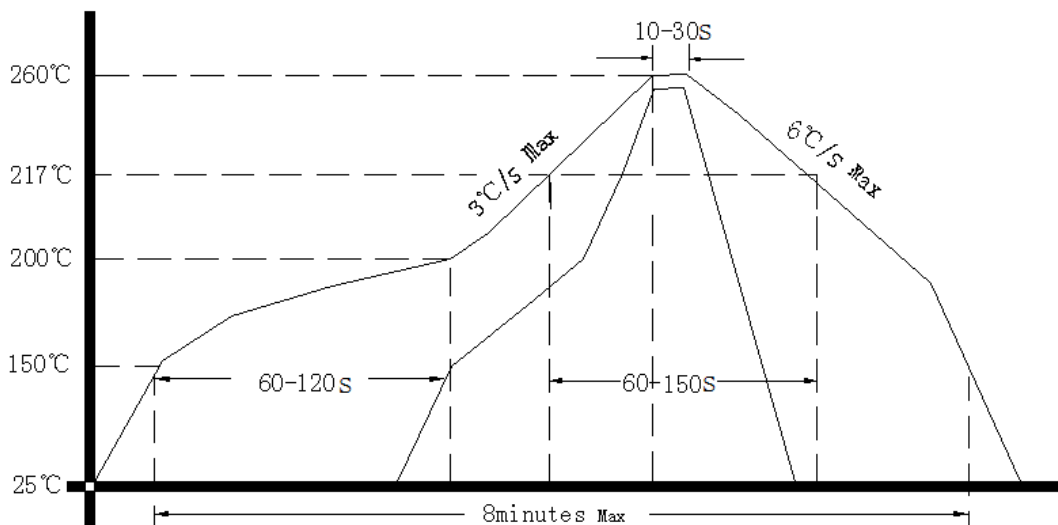
- #1 IN
- #2 GND
- #3 OUT
- #4 GND



Connection (Top View)

Notel: Tolerance ± 0.2 mm

3、Reflow Soldering Curve (RoHS)





4、 Package: Tape & Reel (mm)

