

Travelling Merchant: _____

DATASHEET

Standard: T75B-E319-32.768MHz

Plot			The Label
Drew	Audited	Approved	Stamp, please! Thanks!
Date: 2009-11-03			

Dongguan Dapu Telecom Technology Co.,Ltd

No.1 New City Street,Songshan Lake Science Park, Dongguan City,Guangdong province, PRC China

TEL: 0086-0769-88010888 FAX: 0086-0769-81800098



The parameter of product

Model: T75B-E319-32.768MHz

1. Output

1.1. Frequency	32.768MHz
1.2. Waveform	HCMOS
	Voh \geq 2.7V, Vol \leq 0.4V
1.3. Duty cycle	45%~55% @50%
1.4. Rise/Fall time(10%~90%)	\leq 5ns
1.5. Load	15pF

2. Frequency Stability

2.1. Temperature stability	\leq $\pm 1.0 \times 10^{-6}$	@-20°C ~ +70°C , @25°C
2.2. Initial frequency	\leq $\pm 1.0 \times 10^{-6}$	@25°C
2.3. Aging	\leq $\pm 2.0 \times 10^{-8}$ / day	
	\leq $\pm 1.0 \times 10^{-6}$ / First year	

3. Voltage

3.1. Supply Voltage	3.3V (unalterable)
---------------------	--------------------

4. Current

4.1. Operation current	4mA (Typical) @25°C
------------------------	---------------------

5. Phase noise (Typical)

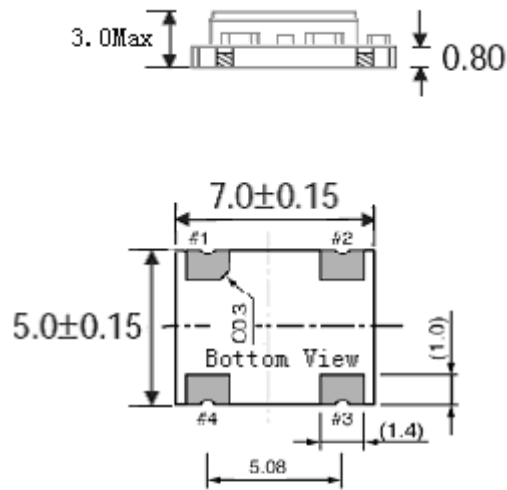
5.1. 1KHz	-130dBc/Hz
-----------	------------

6. Environmental conditions

6.1. Operation temperature	-20°C ~ +70°C
6.2. Storage temperature	-40°C ~ +85°C
6.3. Vibration	Test Condition: 0.75mm ;acceleration:10g;50Hz~2000Hz, one cycle per 30 min, test 2 hour. (3 times for each 3 directions X , Y , Z)
6.4. Shock	100g; 11ms; half sine wave (3 times for each 3 directions X , Y, Z),IEC 68-2-27 Test Ea/Severity 50A.
6.5. Drop	Test Condition: free drop on steel-made surface or rigid planes from a height of 100cm,IEC 68-2-32.



7. Mechanical



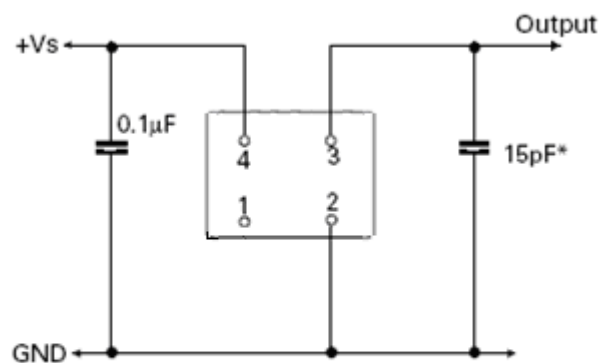
Pin Connections

#1	NC
#2	GND
#3	Output
#4	Vcc

Note: Referential Weight 0.3g

Unit : mm

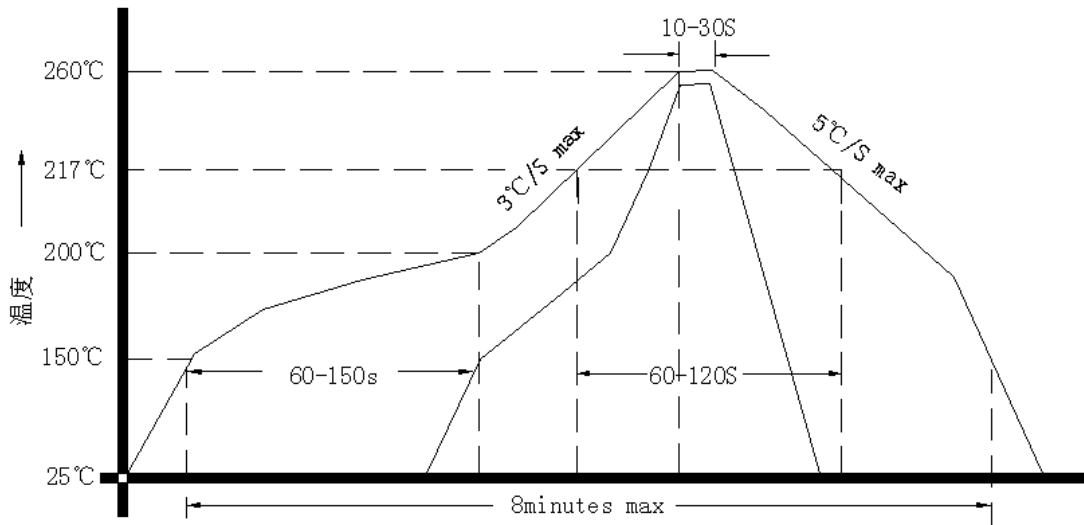
8. Test circuit



* inclusive of probe and jig capacitance



9. Reflow Soldering Curve (RoHS)



10. Package: Tape & Reel (mm)

