

Travelling Merchant: C081

# DATASHEET

Standard: T32-O516-19.20MHz

P/N: \_\_\_\_\_

Plot			The Label
Drew	Audited	Approved	Stamp, please! Thanks!
Date: 2012.08.27			

**Guangdong Dapu Telecom Technology Co.,Ltd**

Bldg13-16,.N.Ind.Zone,SSL Industry Park, Dongguan City, Guangdong Province, China

TEL: 0086-0769-88010888 FAX: 0086-0769-81800098





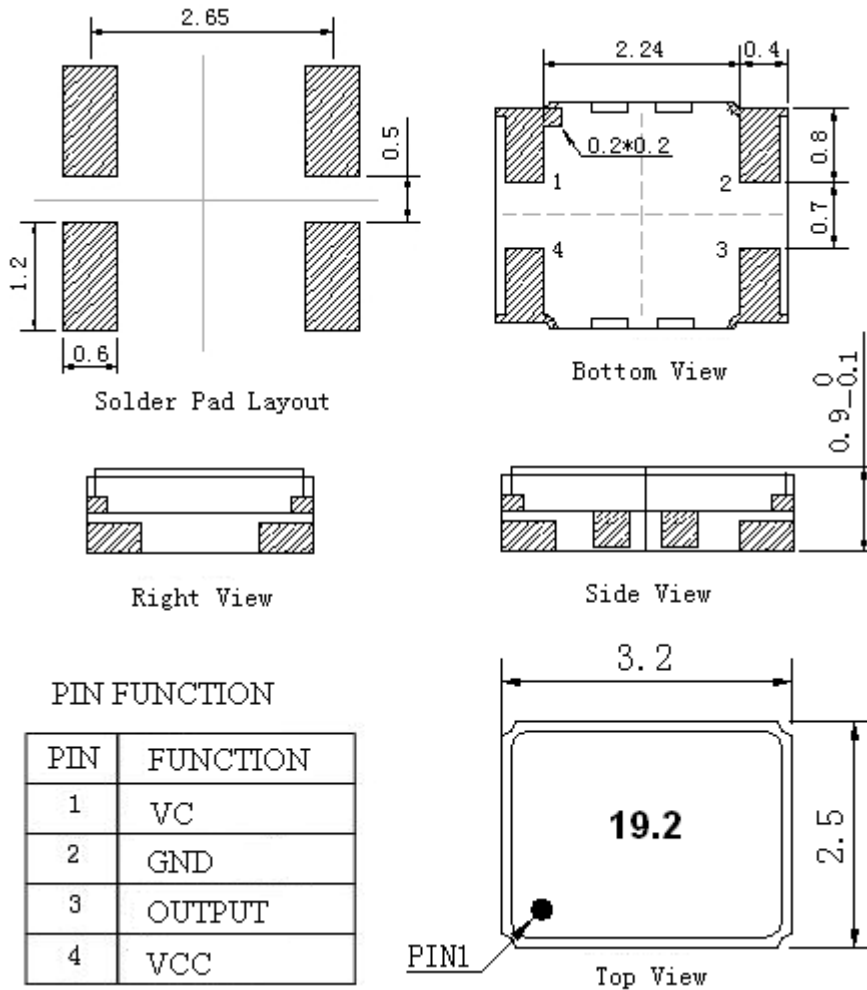
## 1、Electrical Parameters

MODEL: T32-O516-19.20MHz						
Item	Description	Parameters			Unit	Test Condition
		Min.	Typ.	Max.		
Output	Frequency	19.20			MHz	
	Output Waveform	Clipped Sine Wave				
	Vp-p	0.8			V	
	Load	10KΩ//10pF				
Frequency Stabilities	Frequency Tolerance vs. Operating Temperature Range	-2		+2	$\times 10^{-6}$	$T_A$ varied from $-40^{\circ}\text{C}$ to $85^{\circ}\text{C}$ , measurement referenced to frequency observed with $T_A = 25^{\circ}\text{C}$ , $V_{cc} = 3.3\text{V}$ , $V_c = 1.65\text{V}$ , $O_{load} = 10\text{K}\Omega//10\text{pF}$ , temperature variable speed less than $2^{\circ}\text{C}$ per minute.
	Initial Frequency Tolerance	-2		+2	$\times 10^{-6}$	Measurement referenced to frequency observed with $T_A = 25^{\circ}\text{C}$ , $V_{cc} = 3.3\text{V}$ , $V_c = 1.65\text{V}$ within 30 days after ex-works.
	Frequency Tolerance vs. Supply Voltage	-0.2		+0.2	$\times 10^{-6}$	measurement referenced to frequency observed $T_A = 25^{\circ}\text{C}$ , $V_{cc}$ varied from 3.13V to 3.47V, $V_c = 1.65\text{V}$ and $O_{Load} = 10\text{K}\Omega//10\text{pF}$ .
	Frequency Tolerance vs. Load	-0.2		+0.2	$\times 10^{-6}$	5% load change measurement referenced to frequency observed with $T_A = 25^{\circ}\text{C}$ , $V_{cc} = 3.3\text{V}$ , $V_c = 1.65\text{V}$ and $O_{Load} = 10\text{K}\Omega//10\text{pF}$ .
	Aging Tolerance Per Day	-0.02		+0.02	$\times 10^{-6}$	$T_A = 25^{\circ}\text{C}$ , $V_{cc} = 3.3\text{V}$ , $V_c = 1.65\text{V}$ and after 1h of operation.
	Aging Tolerance 1 Year	-1		+1	$\times 10^{-6}$	
Power Supply	Operating Current			3	mA	@ $25^{\circ}\text{C}$ , $V_{cc} = 3.3\text{V}$ , $V_c = 1.65\text{V}$ , $O_{Load} = 10\text{K}\Omega//10\text{pF}$ .
	Supply Voltage	3.13	3.3	3.47	V	
Voltage Control	Frequency tuning range	-15		-10	$\times 10^{-6}$	$V_c = 0\text{V}$ . measurement referenced to $V_c = 1.65\text{V}$ .
		-2		+2	$\times 10^{-6}$	$V_c = 1.65\text{V}$ . measurement referenced to Exactly 19.20MHz.
		+10		+15	$\times 10^{-6}$	$V_c = 3.3\text{V}$ . measurement referenced to $V_c = 1.65\text{V}$ .
	Linearity			10	%	
	Slope	Positive				
	Input Impedance	100			KΩ	



Phase Noise	Phase Noise		-135	-130	dBc/Hz	1KHz
Environmental Conditions	Operable Temperature	-40		+85	°C	
	Storage Temperature	-55		+105	°C	
	ESD Level	Human Body Model,class2: 2000V to 4000V; ANSI/ESDA/JEDEC JS-001-2010.				
		Machine Model, class B: 200V to 400V; ANSI/ESDA/JEDEC JS-001-2010.				
	Moisture Sensitivity Level	Level 2.				
	Vibration	Test Condition: 0.75mm ;acceleration:10g;10Hz~2000Hz, one cycle per 30 min, test 2 hour. (3 times for each 3 directions X , Y , Z ).IEC 68-2-06 Test Fc.				
Shock	100g; 6ms; half sine wave (3 times for each 3 directions X , Y , Z ),IEC 68-2-27 Test Ea/Severity 50A.					

## 2、Mechanical Structure(mm)



### PIN FUNCTION

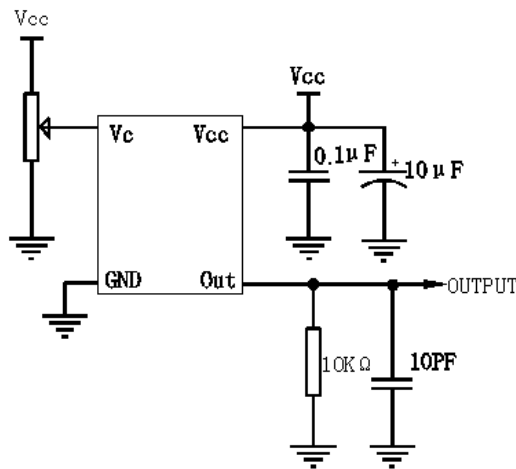
PIN	FUNCTION
1	VC
2	GND
3	OUTPUT
4	VCC

**Note1:** Tolerance ±0.1mm without mark

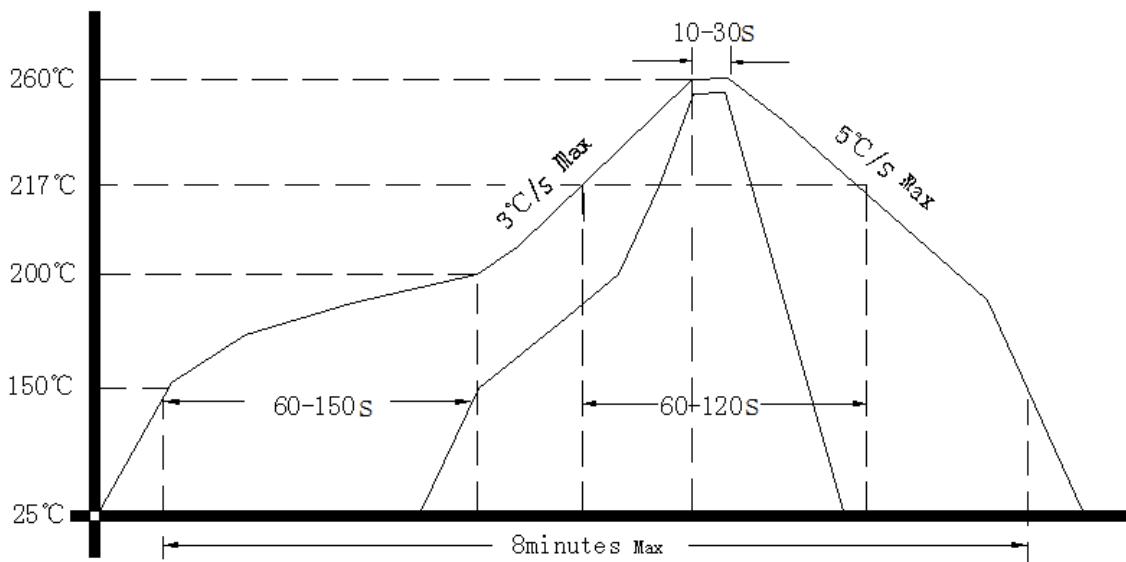
**Note2:** Referential Weight 0.1g



### 3、 Test Circuit



### 4、 Reflow Soldering Curve (RoHS)



### 5、 Package: Tape & Reel (mm)

