

Travelling Merchant: \_\_\_\_\_

# DATASHEET

Standard: OS756-C719-250.00MHz

Plot			The Label
Drew	Audited	Approved	Stamp, please! Thanks!
Date: 2018.03.19			

## Guangdong Dapu Telecom Technology Co.,Ltd

Bldg13-16,.N.Ind.Zone,SSL Industry Park, Dongguan City, Guangdong Province, China

TEL: 0086-0769-88010888 FAX: 0086-0769-81800098

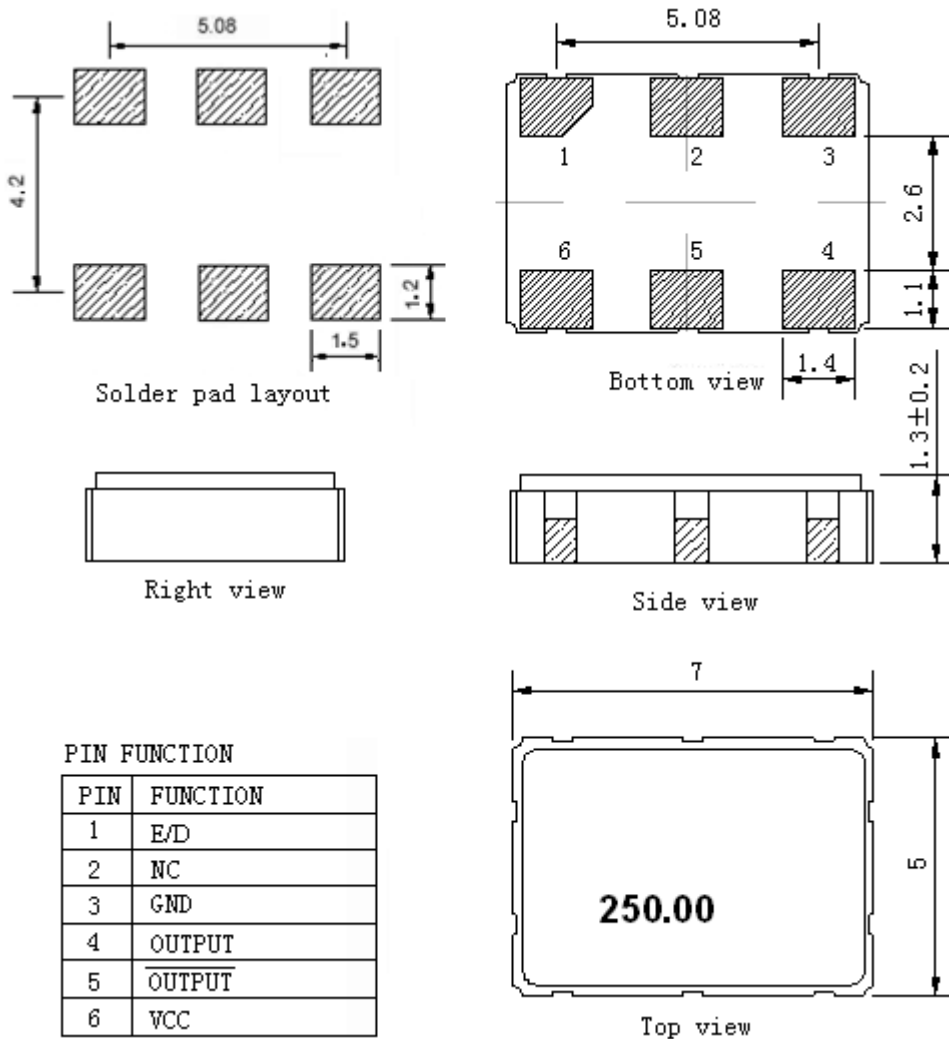


## 1、Electrical Parameters

MODEL: OS756-C719-250.00MHz							
No.	Parameters	SYM.	Electrical Spec.				Notes
			Min.	Typ.	Max.	Units	
1	Nominal Frequency	FL	250.00			MHz	
	Output Waveform		LVDS				
2	Frequency Stability	-	-25	-	+25	ppm	
3	Operating Temperature Range	Topr	-40		85	°C	
4	Storage Temperature Range	Tstg	-55	~	125	°C	
5	Supply Voltage	VDD	3.13	3.3	3.47	V	
6	Input Current	Icc	-	-	10	mA	
7	Enable Control	-	Yes			-	
8	Output Load: CMOS	CL	15			pF	
9	Input Voltage High	VoH	70%	-	-	Vdd	
10	Input Voltage Low	Vol	-	-	10%	Vdd	
11	Rise Time	Tr	-	495	600	ps	20%-80% VDD Level
12	Fall Time	Tf	-	495	600	ps	80%-20% VDD Level
13	Input Pull-up Impedance	Z_in		100	250	kΩ	
			2			mΩ	
14	Start-up Time	Tosc	-	6	10	ms	
15	Duty Cycle	DC	45	-	55	%	
16	Resume Time	T_resume		6	10	ms	
17	First Year Aging	-	2		2	ppm	25°C
18	10-year Aging		5		5	ppm	25°C
19	Output Disable Delay Time	T off	-	-	115	ns	
20	Output Enable Delay Time	T on	-	-	115	ns	
21	RMS Period Jitter	T-jitt		1.4	1.7	ps	Vdd=3.3V
22	Offset Voltage	VOS	1.125	1.2	1.375	v	
23	VOS Magnitude Change	VOS			50	mV	



## 2、Mechanical Structure (mm)



### PIN FUNCTION

PIN	FUNCTION
1	E/D
2	NC
3	GND
4	OUTPUT
5	OUTPUT
6	VCC

**Note1:** Tolerance ±0.1mm without mark

**Note2:** Referential Weight 0.2g

**Note3:** NC is not connect

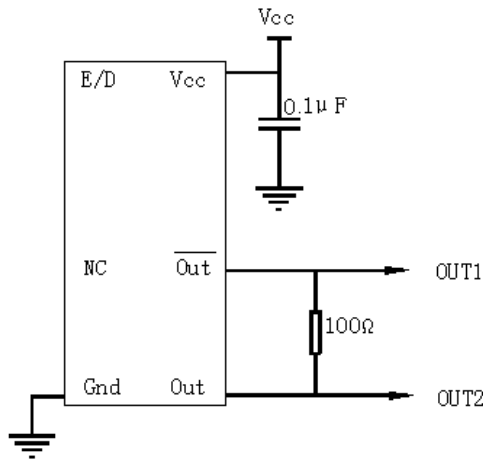
**Note4:** Enable:  $V_{ih} \geq V_{CC} - 1.025V$

Disable:  $V_{il} \leq V_{CC} - 2.0V$

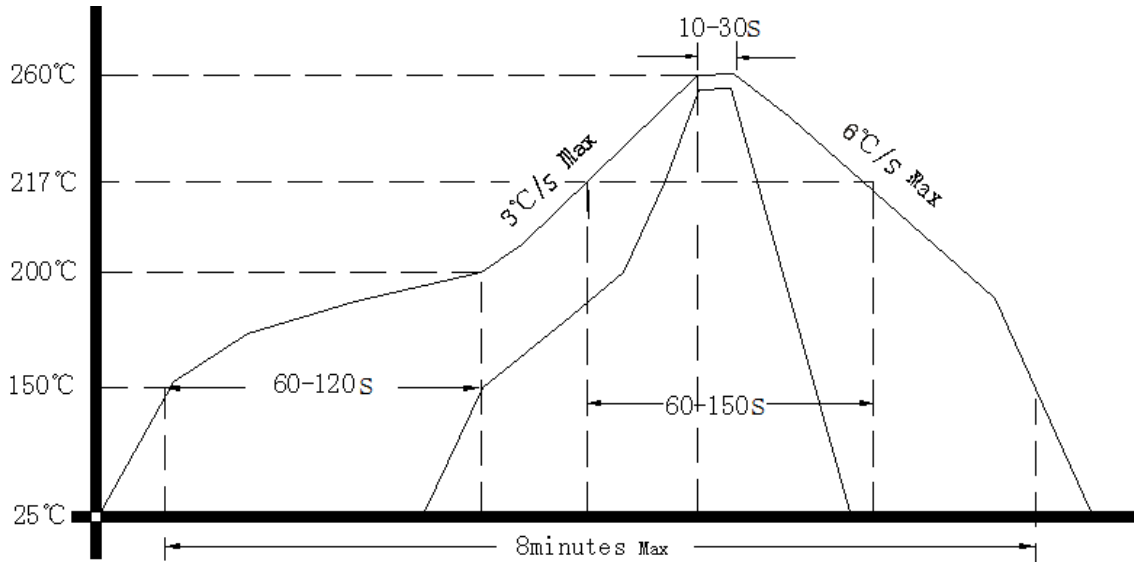
E/D	OUT1	OUT2
high level, open	data	data
low level	no data	no data



### 3. Test Circuit



### 4. Reflow Soldering Curve (RoHS)



### 5. Package: Tape & Reel (mm)

