

Customer Code : _____

DATASHEET

DAPU P/N: DP7C12500003

Plot			The Label
Drew	Audited	Approved	Stamp, please! Thanks!
Date: 2017.07.03			

Guangdong Dapu Telecom Technology Co.,Ltd

Bldg16,.N.Ind.Zone,SSL Industry Park, Dongguan City, Guangdong Province, China

TEL: 0086-0769-88010888 FAX: 0086-0769-81800098

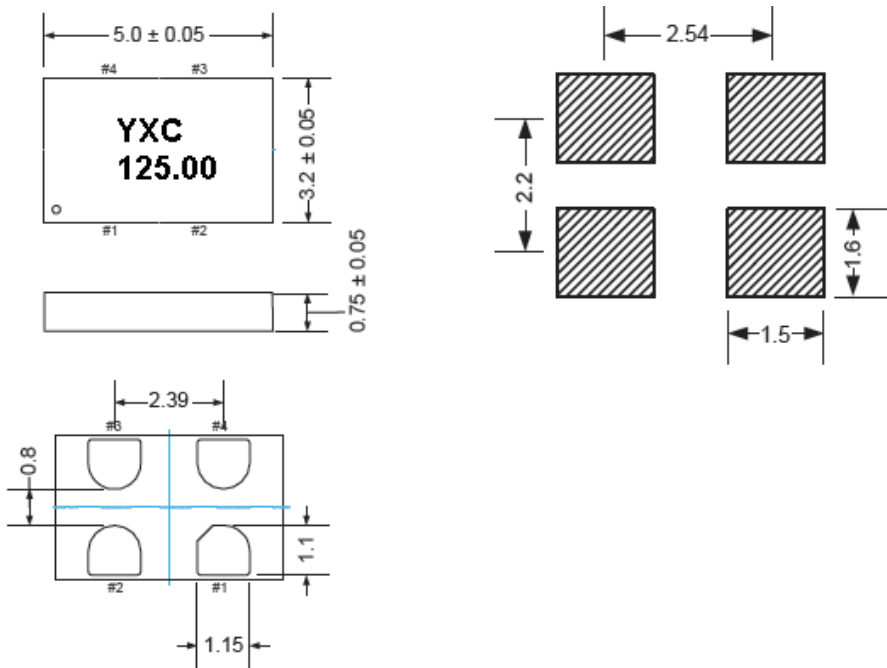


1、Electrical Parameters

MODEL: DP7C12500003							
No.	Parameters	SYM.	Electrical Spec.				Notes
			Min.	Typ.	Max.	Units	
1	Nominal Frequency	FL	125.00			MHz	
2	Output Waveform		LVCMOS				
3	Vdd		-0.5		4	V	
4	Supply Voltage		2.25	2.5	2.75	V	
5	Frequency Stability	F-stab	-25		+25	$\times 10^{-6}$	Inclusive of Initial tolerance at 25 °C, 1st year aging at 25 °C, and variations over operating temperature, rated power supply voltage and load.
6	Operating Temperature	T-opr	-40	~	+85	°C	
7	Storage Temperature		-65		+150	°C	
8	Current Consumption	Icc	-	5.5	6.4	mA	
9	OE Disable Current	I_OD			4.2	mA	
10	Standby Current	I_std		1.4	2.5	μ A	
11	Rise/Full Time	Tr、Tf		1	2	ns	20%~80%
12	Duty Cycle	DC	45		55	%	
13	Output Voltage High	VOH	90%	-	-	Vdd	IOH =-4 mA
14	Output Voltage Low	VOL	-	-	10%	Vdd	IOL =4mA
15	Input Voltage High	VIH	70%	-	-	Vdd	Pin 1,OEor Standy
16	Input Voltage Low	VIL	-	-	30%	Vdd	Pin 1, OEor Standy
17	Input Pull-up Impedence	Z_in	50	87	150	K Ω	Pin 1, OE logic high or logic low, or ST logic high
18	Start up Time	T_start	-	-	5	ms	Measured from the time Vdd reaches its rated minimum value
19	Enable/Disable Time	T_oe	-	-	122	ns	
20	Resume Time	T_resume			5	ms	
21	RMS Period Jitter	T_jitt	-	1.9	3	ps	
22	Peak to Peak Period Jitter	T_pk		12	25	ps	
23	Phase Jitter	T_phj	-	0.5	0.9	ps	Integration bandwidth = 900 kHz to 7.5 MHz
				1.3	2		Integration bandwidth =12kHz to 20MHz
24	Mechanical Shock		MIL-STD-883F,Method 2002				
	Mechanical Vibration		MIL-STD-883F,Method 2007				
	Temperature Cycle		JESD22, Method A104				
	Solderability		MIL-STD-883F,Method 2003				
	Moisture Sensitivity Level		MSL1 @260°C				



2、Mechanical Structure(mm)



Pin Description

Pin	Symbol		Functionality
1	NC	No Connect	Any voltage between 0 and Vdd or Open ^[1] : Specified frequency output. Pin 1 has no function.
2	GND	Power	Electrical ground
3	OUT	Output	Oscillator output
4	VDD	Power	Power supply voltage ^[2]

Notes:

- In OE or \overline{ST} mode, a pull-up resistor of 10 k Ω or less is recommended if pin 1 is not externally driven. If pin 1 needs to be left floating, use the NC option.
- A capacitor of value 0.1 μ F or higher between Vdd and GND is required.

unit:mm

Note1: Tolerance ± 0.2 mm without mark

Note2: Referential weight 0.2g



3、 Test Circuit And Waveform

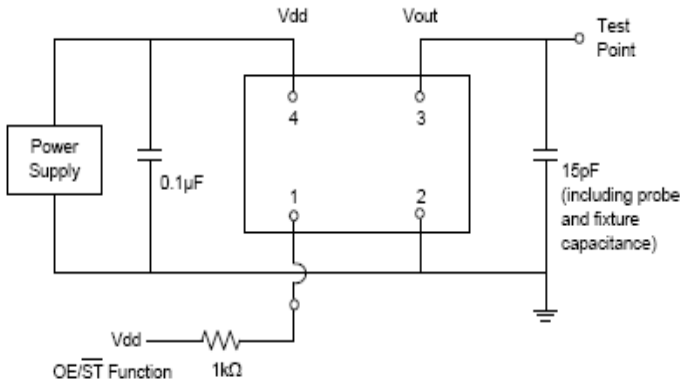


Figure 2. Test Circuit

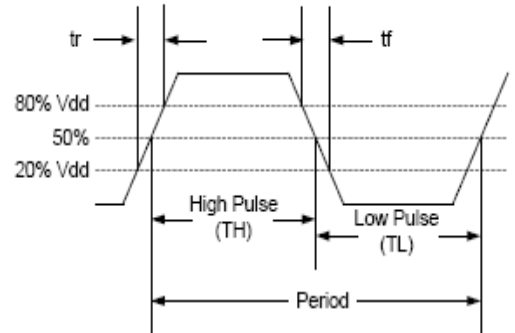
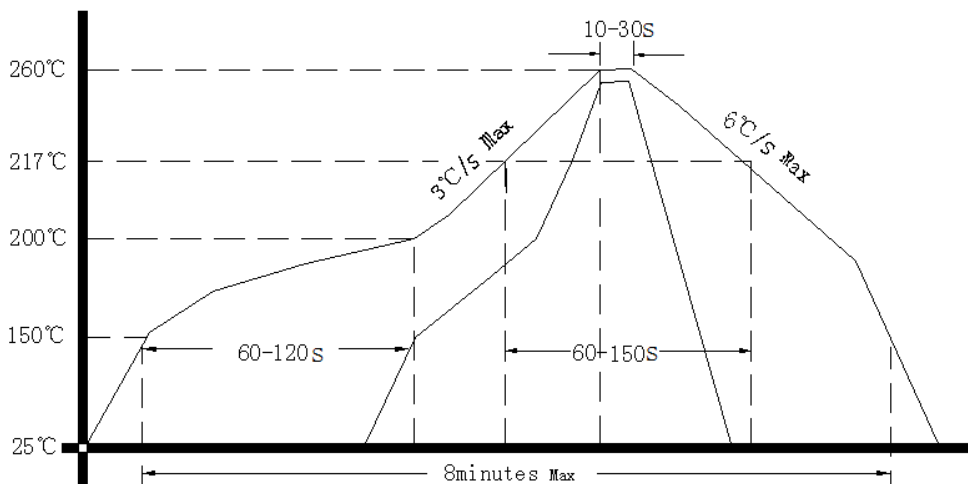


Figure 3. Waveform

4、 Reflow Soldering Curve (RoHS)



5、 Package: Tape & Reel (mm)

