

Travelling Merchant: _____

DATASHEET

Standard: **DPAB87040001**

Plot			The Label
Drew	Audited	Approved	Stamp, please! Thanks!
Date: 2017.09.13			

Guangdong Dapu Telecom Technology Co.,LTD

Bldg13-16,.N.Ind.Zone,SSL Industry Park, Dongguan City, Guangdong Province, China

TEL: 0086-0769-88010888 FAX: 0086-0769-81800098

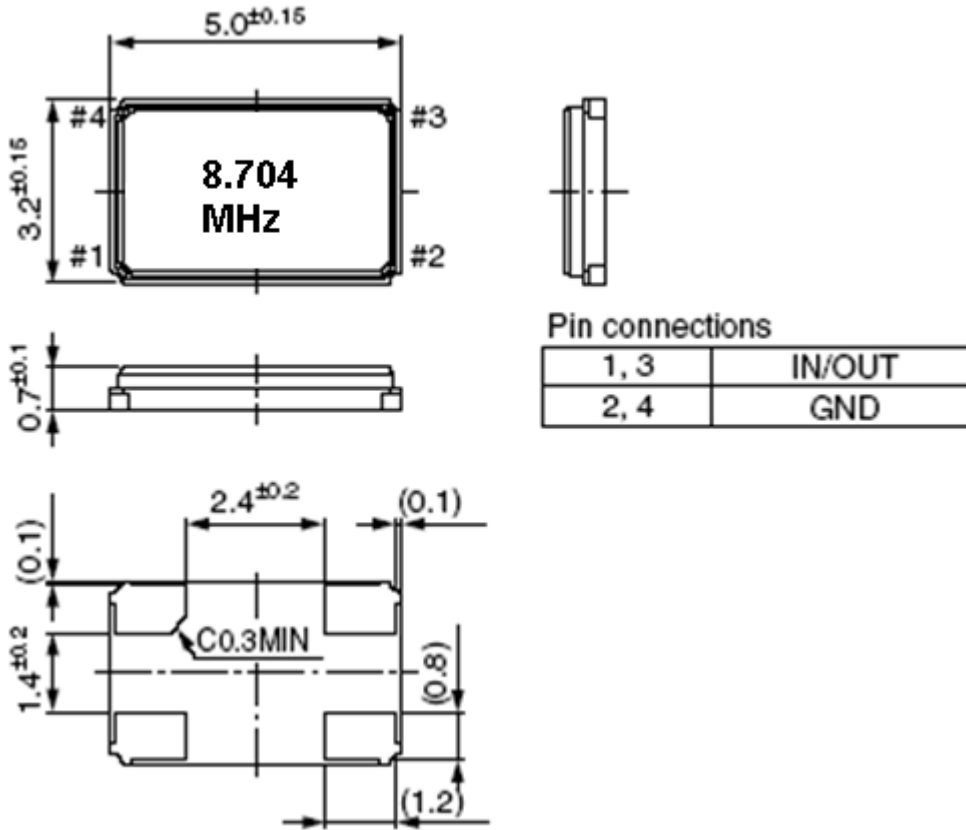


1、 Electrical Parameters

MODEL: DPAB87040001							
No.	Parameters	SYM.	Electrical Spec.				Notes
			Min.	Typ.	Max.	Units	
1	Nominal Frequency	FL	8.704			MHz	
2	Oscillation Mode	-	Fundamental				
3	Load Capacitance	CL	30			pF	
4	Frequency Tolerance	-	-30	-	+30	$\times 10^{-6}$	
5	Frequency Stability	-	-30	-	+30	$\times 10^{-6}$	
6	Operating Temperature	-	-20	~	+70	°C	
7	Insulation R	-	500			MΩ	100VDC
8	Aging	-	-2	-	+2	$\times 10^{-6}$	@25°C 1st Year
9	Drive Level	DL	-	100		uW	
10	Resonate Resistor				80	Ω	
11	Shunt Capacitance C0	C0	-	-	7.0	pF	
12	Leaking R		2*10-8ATM.CC/SEC				
13	ESD Level	Human Body Model,class2: 2000V to 4000V; ANSI/ESDA/JEDEC JS-001-2010					
		Machine Model, class B: 200V to 400V; ANSI/ESDA/JEDEC JS-001-2010					
14	Moisture Sensitivity Level	Level 2					
15	Vibration	Test Condition: 0.75mm ;acceleration:10g;10Hz~2000Hz, one cycle per 30 min, test 2 hour. (3 times for each 3 directions X ,Y , Z). IEC 68-2-06 Test Fc.					
16	Shock	100g; 6ms; half sine wave (3 times for each 3 directions X ,Y , Z),IEC 68-2-27 Test Ea/Severity 50A.					



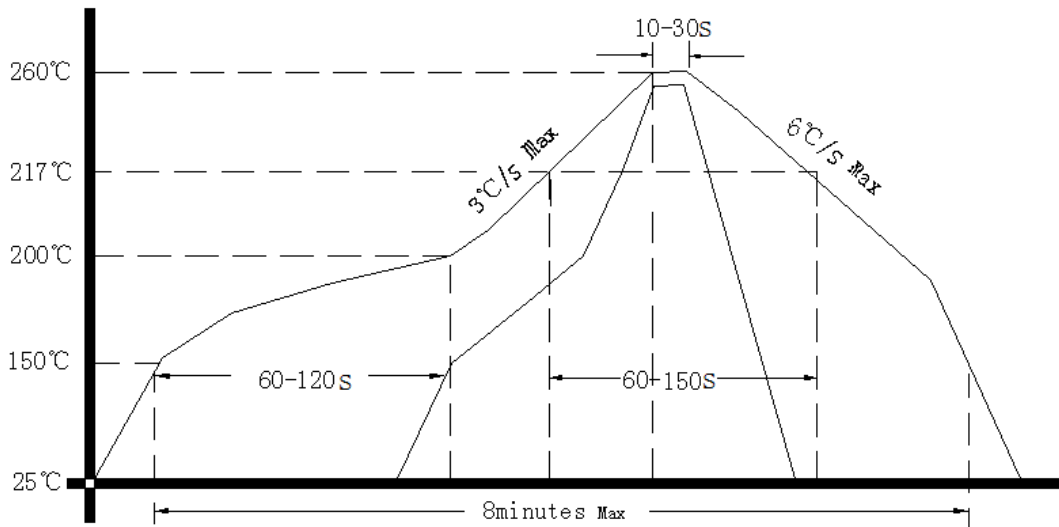
2、 Mechanical Structure(mm)



Note1: Tolerance ± 0.2 mm



3、Reflow Soldering Curve (RoHS)



4、Package: Tape & Reel (mm)

