

Customer Code : \_\_\_\_\_

# DATASHEET

DAPU P/N:           O22A-S426-10.00MHz          

Customer P/N: \_\_\_\_\_

DAPU			Customer Approval
Drew	Audited	Approved	Stamp, please! Thanks!
Date: 2018.10.13			

## Guangdong Dapu Telecom Technology Co.,Ltd

Bldg13-16,.N.Ind.Zone,SSL Industry Park, Dongguan City, Guangdong Province, China

TEL: 0086-0769-88010888    FAX: 0086-0769-81800098



### Table of amendment

Version	Revision contents	Prepared by	Revised date
1.0	The first issued	<i>Amway</i>	2014.03.24
1.1	“Full Package Storage” added Modified the 1 <sup>st</sup> page Modified according to customer requirements “Pin diameter”	<i>Amway</i>	2015.04.24
1.2	Add “Customer requirements”	<i>Amway</i>	2018.01.03
1.3	“Mechanical Structure” changed	<i>Amway</i>	2018.10.13



## 1. Electrical Parameters

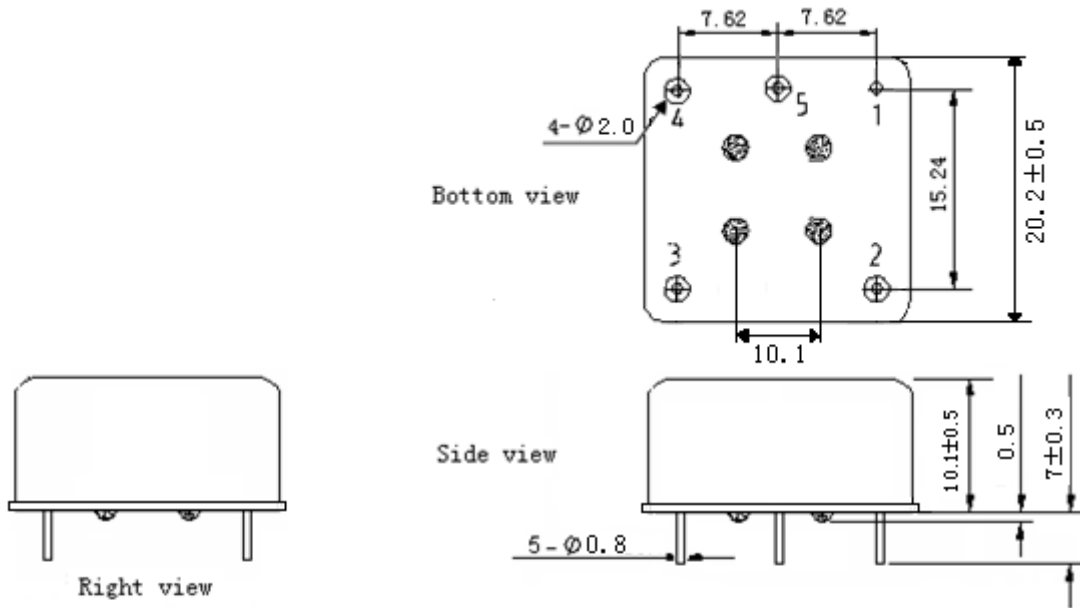
MODEL: O22A-S426-10.00MHz						
Item	Description	Parameters			Unit	Test Condition
		Min.	Typ.	Max.		
Output	Frequency	10.00			MHz	
	Output Waveform	Sine wave				
	Level	7			dBm	
	Load	50			$\Omega$	
	Harmonics Suppression			-30	dBc	
	Spurious Suppression			-70	dBc	
Frequency Stabilities	Frequency Tolerance vs. Operating Temperature Range	-0.01		+0.01	$\times 10^{-6}$	$T_A$ varied from $-55^{\circ}\text{C}$ to $85^{\circ}\text{C}$ , measurement referenced to frequency observed with $f_{\text{ref}}=(f_{\text{max}}+f_{\text{min}})/2$ , $V_{\text{cc}}=5.0\text{V}$ , $V_c=2.5\text{V}$ , $O_{\text{load}}=50\Omega$ , temperature variable speed less than $2^{\circ}\text{C}$ per minute.
	Initial Frequency Tolerance	-0.1		+0.1	$\times 10^{-6}$	Measurement referenced to frequency observed with $T_A=25^{\circ}\text{C}$ , $V_{\text{cc}}=5.0\text{V}$ , $V_c=2.5\text{V}$ and after 15 minutes of operation, within 30 days after ex-works.
	Frequency Tolerance vs. supply voltage	-5		+5	$\times 10^{-9}$	measurement referenced to frequency observed $T_A=25^{\circ}\text{C}$ , $V_{\text{cc}}$ varied from 4.75V to 5.25V, $V_c=2.5\text{V}$ , $O_{\text{load}}=50\Omega$ .
	Frequency Tolerance vs. Load	-5		+5	$\times 10^{-9}$	5% Load Change Measurement referenced to frequency observed with $T_A=25^{\circ}\text{C}$ , $V_{\text{cc}}=5.0\text{V}$ , $V_c=2.5\text{V}$ , $O_{\text{load}}=50\Omega$ .
	Short Term Stability			0.01	$\times 10^{-9}$	Temperature stability, no EMI\EMC or other interference, test after power for 1hour ref. to $25^{\circ}\text{C}$ ; 1s, using PN9000 equipment.
	Aging Tolerance per day	-1		+1	$\times 10^{-9}$	$V_{\text{cc}}, V_c, T_A$ constant Measurement referenced to frequency observed with
	Aging Tolerance 1Year	-0.1		+0.1	$\times 10^{-6}$	$T_A=25^{\circ}\text{C}, V_{\text{cc}}=5.0\text{V}, V_c=2.5\text{V}, O_{\text{load}}=50\Omega$ and after 30 days of operation.
Power Supply	Supply Voltage	4.75	5.0	5.25	V	
	Current Consumption			300	mA	@ $25^{\circ}\text{C}$
	Current Consumption during warm up			600	mA	
	Warm-Up Time			5	minutes	@ $25^{\circ}\text{C}$ within $\pm 0.1 \times 10^{-6}$ of final frequency with reference after 30 minutes on.



Voltage Control Characteristics	Frequency Tuning Range			-0.5	$\times 10^{-6}$	$V_c=0V$ . measurement referenced to $V_c=2.5V$ .
		-0.1		+0.1	$\times 10^{-6}$	$V_c=2.5V$ . measurement referenced to exactly 10.00MHz.
		+0.5			$\times 10^{-6}$	$V_c=5.0V$ . measurement referenced to $V_c=2.5V$ .
	Linearity			10	%	
	Slope	Positive				
	Input Impedance	100				K $\Omega$
Phase Noise	Phase Noise @25°C		-140	-130	dBc/Hz	100Hz
			-155	-145		1KHz
			-160	-150		10KHz
Environmental Conditions	Operable Temperature	-55		+85	°C	
	Storage Temperature	-55		+105	°C	
	ESD Level	Human Body Model, class2: 2000V to 4000V; ANSI/ESDA/JEDEC JS-001-2010.				
		Machine Model, class B: 200V to 400V; ANSI/ESDA/JEDEC JS-001-2010.				
	Moisture Sensitivity Level	Not humidity sensitive.				
	Vibration	Frequency range: 20Hz~2000Hz, acceleration : 6g , ASD:0.04g <sup>2</sup> /Hz one cycle per 30 min, test 2 hour. (3 times for each 3 directions X ,Y , Z), GJB 150.16A-2009				
Shock	100g; 6ms; half sine wave (3 times for each 3 directions X ,Y , Z ),GJB 360B-2009					
Full Package Storage	Relative humidity (%)	20% ~70%				
	Temperature (°C)	-10~35°C				

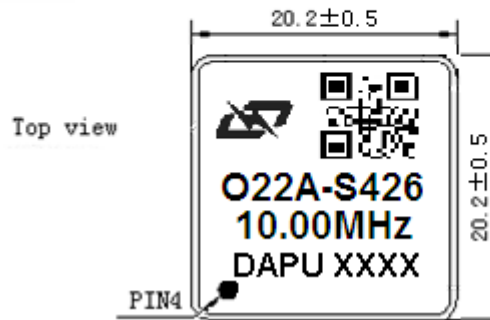


## 2. Mechanical Structure (mm)



### PIN FUNCTION

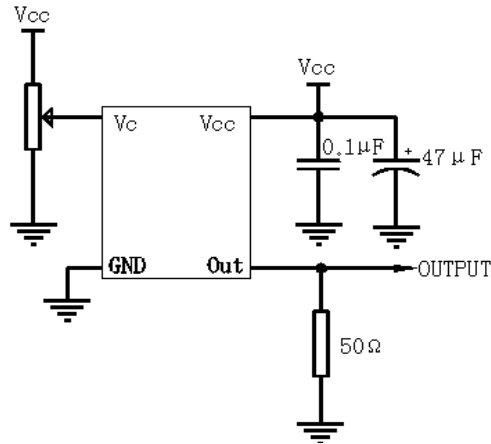
PIN	NOTATION	FUNCTION
1	GND	GND
2	OUTPUT	RF Output
3	VCC	Supply Voltage
4	VC	Control Voltage
5	Vref	Reference Voltage



- Note1:** Tolerance ± 0.2mm without mark
- Note2:** The first two xx representative: week  
After two xx representative: year
- Note3:** Referential Weight 8.0g



### 3. Test Circuit



### 4. Reflow Soldering Curve (RoHS)



### 5. Package(mm)





## 6. Customer requirements

### 6.6.1 晶体振荡器筛选项目及程序

外观检查→常温初测→温度循环→低温测试→高温测试→细检漏→粗检漏→常温终测→外观复查→打印标记

### 6.6.2 晶体振荡器筛选方法及条件

#### 6.6.2.1 外观检查

晶体振荡器的外观检查按 GJB548B-2005 中方法执行。

#### 6.6.2.2 常温初测

按 GJB548B-2005 的 4.5 节规定的试验条件,按产品详细规范或专用规范的规定及产品技术标准所要求的参数和方法进行常温初测。

#### 6.6.2.3 温度循环

晶体振荡器按先低温后高温的顺序,-55℃~85℃,循环 5 次,高低温各保持 30min,转换时间≤1min。

#### 6.6.2.4 高温功率老练

温度为 85℃,按器件技术标准加载。

#### 6.6.2.5 高、低温测试

晶体振荡器按产品技术标准所要求的测试项目和方法进行高、低温测试。测试条件:-55℃,85℃,保持 30 min。

#### 6.6.2.6 密封

晶体振荡器密封检查先进行细检漏,再进行粗检漏。

#### 6.6.2.7 常温终测

按 6.6.2.2 条进行常温终测。

#### 6.6.2.8 外观检查

按 6.6.2.1 条进行外观检查。

#### 6.6.2.9 允许不合格品率

- a)晶体振荡器高温老练试验的允许不合格率为 5% ;
- b) 晶体振荡器密封性检查允许不合格率为 12% ;
- c) 晶体振荡器二次筛选总的允许不合格率为 15% 。

#### 6.6.2.10 打印标记

凡经过二次筛选的器件均按相关文件规定打印筛选标记。