

Travelling Merchant: \_\_\_\_\_

# DATASHEET

Standard: OS756-E61-200.00MHz

Plot			The Label
Drew	Audited	Approved	Stamp, please! Thanks!
Date:			

**Guangdong Dapu Telecom Technology Co.,Ltd**

Bldg13,.N.Ind.Zone,SSL Industry Park, Dongguan City, Guangdong Province, China

TEL: 0086-0769-88010888 FAX: 0086-0769-81800098



## 1. Electrical Parameters

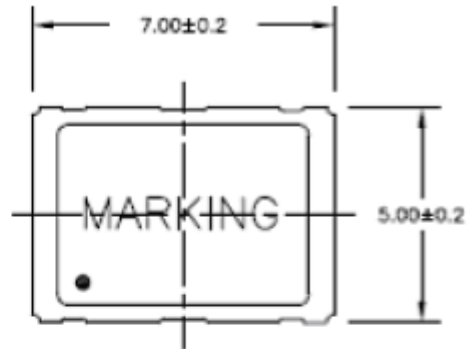
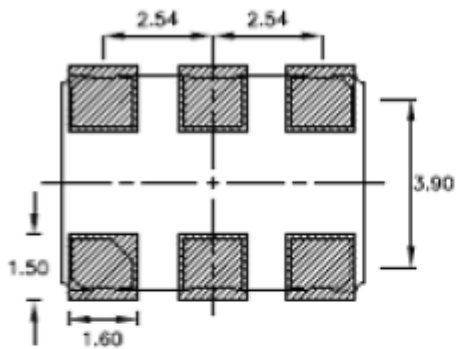
MODEL: OS756-E61-200.00MHz						
Item	Description	Parameters			Unit	Test Condition
		Min.	Typ.	Max.		
Output	Frequency	200.00			MHz	
	Output Waveform	LVPECL				
	Output Low Voltage			1.6	V	@25°C, V <sub>cc</sub> =3.3V
	Output High Voltage	2.35			V	@25°C, V <sub>cc</sub> =3.3V
	Duty Cycle	45	50	55	%	@50%
	Rise / Fall Time (20%~80%)			400	ps	@25°C
	Load	50			Ω	Connect to V <sub>cc</sub> -2.0V
	Output Enable Input Voltage V <sub>IH</sub>	70% V <sub>cc</sub>			V	
	Output Disable Input Voltage V <sub>IL</sub>			30% V <sub>cc</sub>	V	
	Jitter			1	ps	RMS (12KHz ~20MHz)
Frequency Stabilities	Frequency Tolerance vs. Operating Temperature Range	-50		+50	ppm	T <sub>A</sub> varied from 0°C to 60°C, measurement referenced to frequency observed with T <sub>A</sub> = 25°C, V <sub>cc</sub> =3.3V, O <sub>load</sub> =50 Connect to V <sub>cc</sub> -2.0V.
	Initial Frequency Tolerance	-15		+15	ppm	Measurement referenced to frequency observed with T <sub>A</sub> =25°C, V <sub>cc</sub> =3.3V, and after 5s of operation, within 30 days after ex-works.
	Frequency Tolerance vs. Load	-3		+3	ppm	5% load change measurement referenced to frequency observed with T <sub>A</sub> =25°C, V <sub>cc</sub> =3.3V and O <sub>load</sub> =50 Connect to V <sub>cc</sub> -2.0V
	Aging Tolerance 1 Year	-10		+10	ppm	V <sub>cc</sub> , T <sub>A</sub> constant measurement referenced to frequency observed with T <sub>A</sub> =25°C, V <sub>cc</sub> =3.3V, and after 30 days of operation.
Power Supply	Current Consumption			100	mA	@25°C, V <sub>cc</sub> =3.3V, O <sub>load</sub> =50 Connect to V <sub>cc</sub> -2.0V.
	Start-up Time			10	ms	
	Supply Voltage		+3.3		V	unalterable
Environmental Conditions	Operable Temperature	0		+60	°C	
	Storage Temperature	-40		+100	°C	
	Vibration	Test Condition: 0.75mm ;acceleration:10g;10Hz~2000Hz, one cycle per 30 min, test 2 hour. (3 times for each 3 directions X , Y , Z)				



	Shock	100g; 6ms; half sine wave (3 times for each 3 directions X ,Y, Z ),IEC 68-2-27 Test Ea/Severity 50A.
	Drop	Test Condition: free drop on steel-made surface or rigid plane from a height of 100cm,IEC 68-2-32.

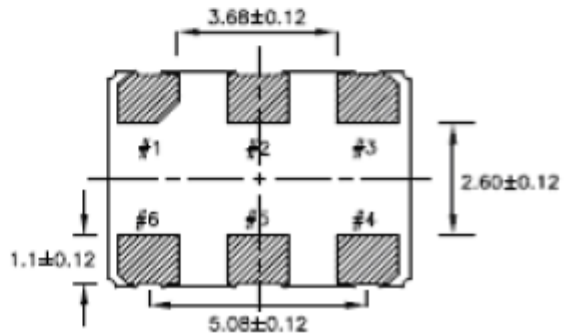
## 2. Mechanical Structure(mm)

LAND PATTERN (REFERENCE)



Standard

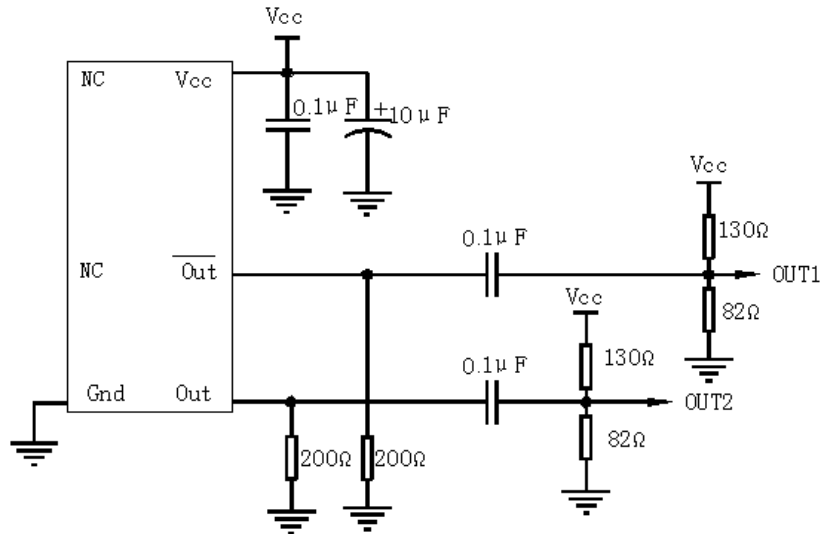
Terminal	Connection
#1	NC or INH
#2	NC
#3	GND
#4	OUT
#5	OUTN
#6	+Vcc



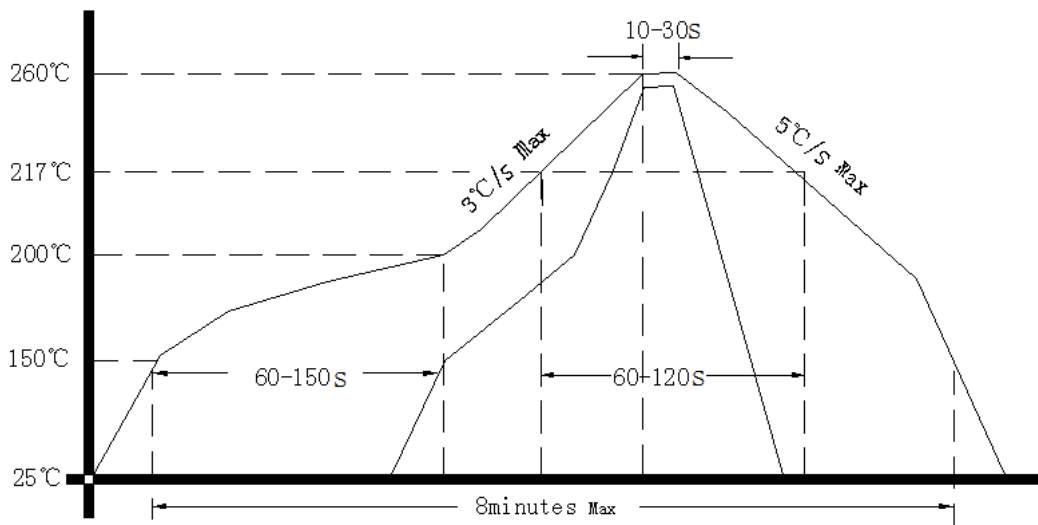
Note1: Referential Weight 0.2g



### 3. Test Circuit



### 4. Reflow Soldering Curve (RoHS)



### 5. Package: Tape & Reel (mm)

