

Travelling Merchant: _____

DATASHEET

Standard: DP7C47000001

Plot			The Label
Drew	Audited	Approved	Stamp, please! Thanks!
Date: 2014.02.28			

Guangdong Dapu Telecom Technology Co.,Ltd

Bldg13,.N.Ind.Zone,SSL Industry Park, Dongguan City, Guangdong Province, China

TEL: 0086-0769-88010888 FAX: 0086-0769-81800098

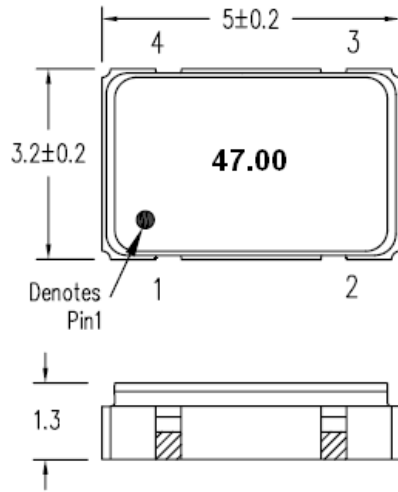


1、Electrical Parameters

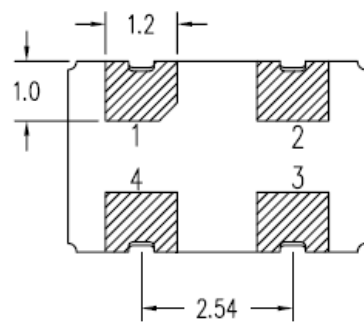
MODEL: DP7C47000001							
No.	Parameters	SYM.	Electrical Spec.				Notes
			Min.	Typ.	Max.	Units	
1	Nominal Frequency	FL	47.00			MHz	
2	Frequency Stability	-	-25		+25	$\times 10^{-6}$	(Inclusive of operating temperature range supply voltage and load)
3	Operating Temperature	Topr	-10	~	+70	°C	
4	Storage Temperature	Tstg	-40	~	+105	°C	
5	Supply Voltage	VDD	2.5			V	
6	Input Current	Icc	-	-	25	mA	
7	Enable Control	-	Yes			-	
8	Output Load: CMOS	CL	15			pF	
9	Output Voltage High	VoH	2.97	-	-	V	
10	Output Voltage Low	VoL	-	-	0.33	V	
11	Rise Time	Tr	-		10	ns	10%-90% VDD Level
12	Fall Time	Tf	-		10	ns	90%-10% VDD Level
13	Symmetry (Duty ratio)	TH/T	45	~	55	%	
14	Start-up Time	Tosc	-	-	10	ms	
15	Enable Voltage High	Vhi	70% Vdd	-	-	V	
16	Disable Voltage Low	Vlo	-	-	30% Vdd	V	
17	Aging	-	± 3			$\times 10^{-6}/\text{yr.}$	1st. Year at 25°C
18	ESD Level	Human Body Model,class2: 2000V to 4000V; ANSI/ESDA/JEDEC JS-001-2010.					
		Machine Model, class B: 200V to 400V; ANSI/ESDA/JEDEC JS-001-2010.					
19	Moisture Sensitivity Level	Level 2.					
20	Vibration	Test Condition: 0.75mm ;acceleration:10g;10Hz~2000Hz, one cycle per 30 min, test 2 hour. (3 times for each 3 directions X , Y , Z) .IEC 68-2-06 Test Fc.					
21	Shock	100g; 6ms; half sine wave (3 times for each 3 directions X , Y , Z) ,IEC 68-2-27 Test Ea/Severity 50A.					



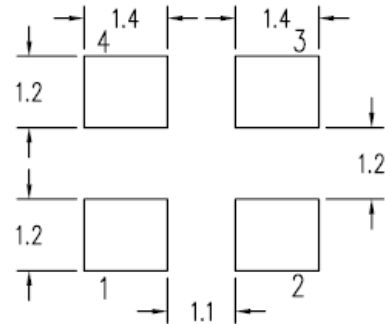
2、 Mechanical Structure(mm)



PAD NO.	Connection
1	E/D
2	GND
3	Output
4	VDD

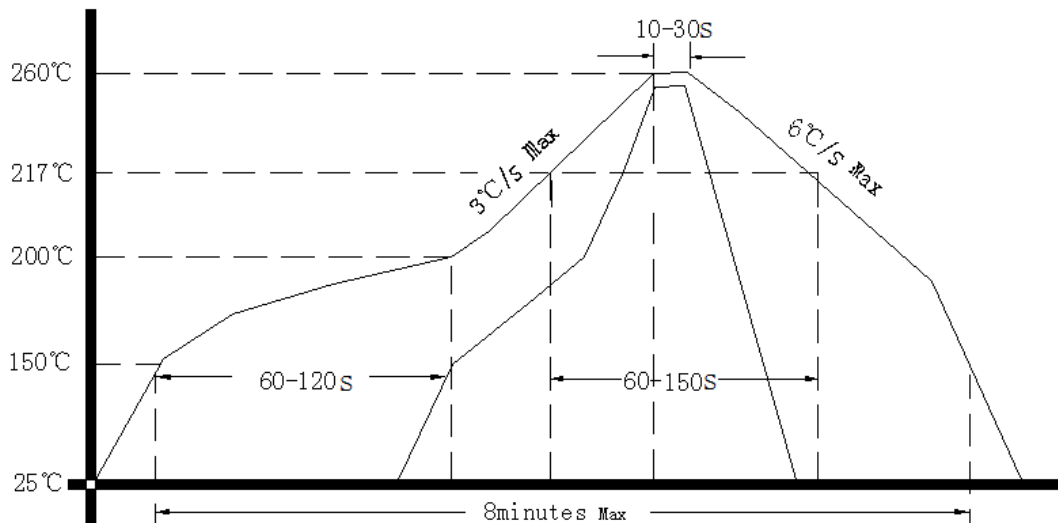


Recommended Soldering Pattern



Note1: Tolerance $\pm 0.2\text{mm}$

3、 Reflow Soldering Curve (RoHS)





4、 Package: Tape & Reel (mm)

