

Travelling Merchant: _____

DATASHEET

Standard: DP7M25000003

Plot			The Label
Drew	Audited	Approved	Stamp, please! Thanks!
Date: 2011.12.22			

Guangdong Dapu Telecom Technology Co.,Ltd

Bldg13-16,.N.Ind.Zone,SSL Industry Park, Dongguan City, Guangdong Province, China

TEL: 0086-0769-88010888 FAX: 0086-0769-81800098

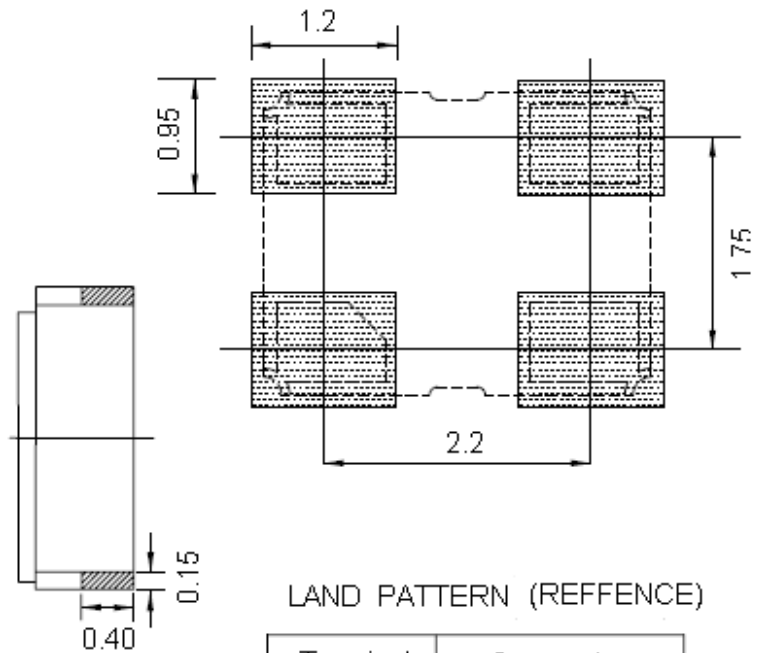
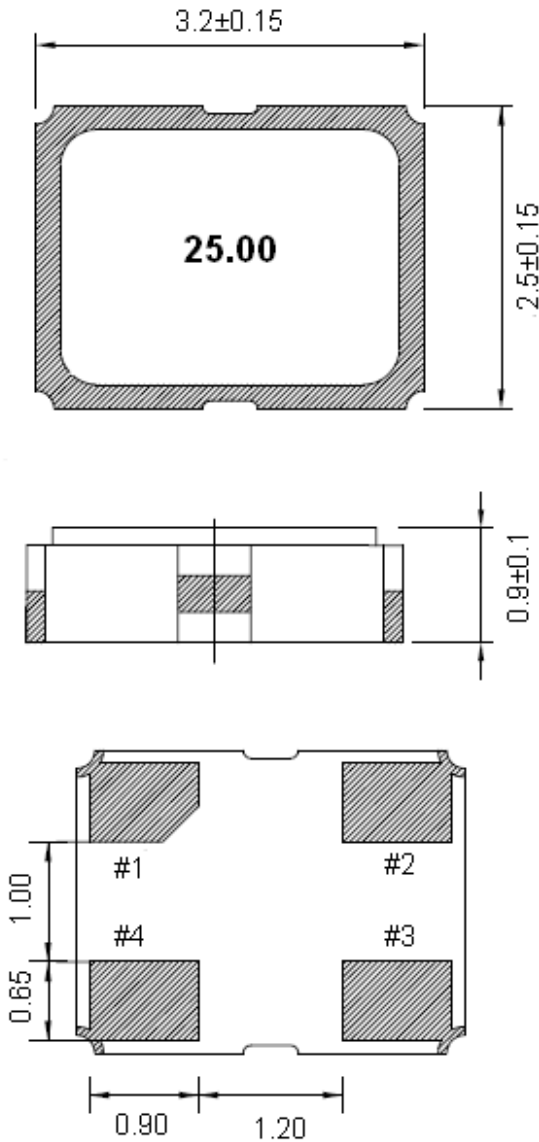


1、 Electrical Parameters

MODEL: DP7M2500003							
No.	Parameters	SYM.	Electrical Spec.				Notes
			Min.	Typ.	Max.	Units	
1	Nominal Frequency	FL	25.00			MHz	
2	Output Waveform	-	HCMOS				
3	Supply Voltage	Vcc	3.135	3.3	3.465	V	
4	Rise/Fall Time (10%~90%)	-	-	-	3	nS	
5	Output Load	-	15pF			-	
6	Frequency Tolerance	-	-30	-	+30	$\times 10^{-6}$	@25±3℃
7	Frequency Stability	-	-30	-	+30	$\times 10^{-6}$	T _A varied from-20℃ to70℃ , measurement referenced to frequency observed with T _A = 25℃, V _{cc} = 3.3V, O _{load} = 15pF.
8	Operating Temperature Range	-	-20	~	+70	℃	
9	Storage Temperature	-	-55	~	+125	℃	
10	Input Current	Icc	-	-	13	mA	CL=15pF
11	Duty Cycle	-	45	50	55	%	@1.65V
12	Start Time	-	-	-	10	ms	@+3.135V
13	Fan out	-	-	10	-	TTL	
14	Tri-state(standby function)	Vih	2.97	-	-	V	Oscillation Enable
15	Tri-state(standby function)	Vil	-	-	0.33	V	Oscillation Disable
16	Output Level Logic 1	Voh	2.97	-	-	V	
17	Output Level Logic 0	Vol	-	-	0.33	V	
18	Aging	-	-3	-	+3	$\times 10^{-6}$	PER YEAR (AT25℃±5℃)
19	Phase jitter	-	-	-	1.5	pS	Phase Jitter ϕ_j Intergrated 12KHz to20MHz
20	ESD Level	Human Body Model,class2: 2000V to 4000V; ANSI/ESDA/JEDEC JS-001-2010.					
		Machine Model, class B: 200V to 400V; ANSI/ESDA/JEDEC JS-001-2010.					
21	Moisture Sensitivity Level	Level 2.					
22	Vibration	Test Condition: 0.75mm ;acceleration:10g;10Hz~2000Hz, one cycle per 30 min, test 2 hour. (3 times for each 3 directions X , Y , Z).IEC 68-2-06 Test Fc.					
23	Shock	100g; 6ms; half sine wave (3 times for each 3 directions X , Y , Z),IEC 68-2-27 Test Ea/Severity 50A.					



2、Mechanical Structure(mm)



LAND PATTERN (REFERENCE)

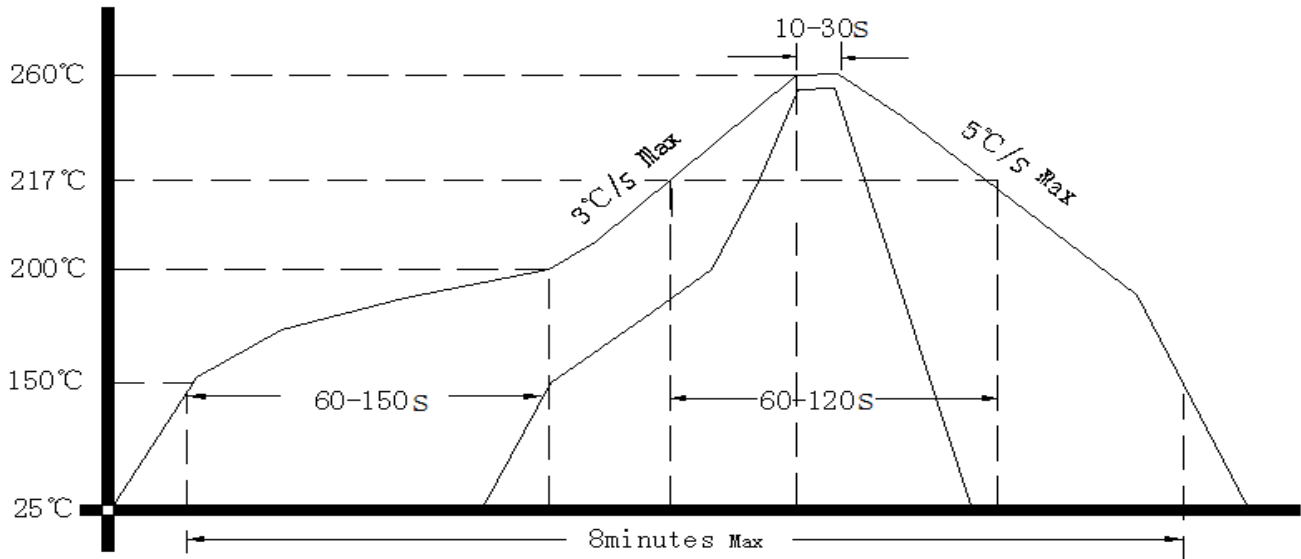
Terminal	Connection
#1	Tri—state or N.C
#2	GND
#3	OUTPUT
#4	VCC

Tri—state Function	
Tri—state pin	Output
High or Floating	Active
Low	Hi-Impedance

Note1: Tolerance $\pm 0.2\text{mm}$



3、Reflow Soldering Curve (RoHS)



4、Package: Tape & Reel (mm)

