

Travelling Merchant: _____

DATASHEET

Standard: DP7W12500008

Plot			The Label
Drew	Audited	Approved	Stamp, please! Thanks!
Date: 2016.07.12			

Guangdong Dapu Telecom Technology Co.,Ltd

Bldg13,.N.Ind.Zone,SSL Industry Park, Dongguan City, Guangdong Province, China

TEL: 0086-0769-88010888 FAX: 0086-0769-81800098

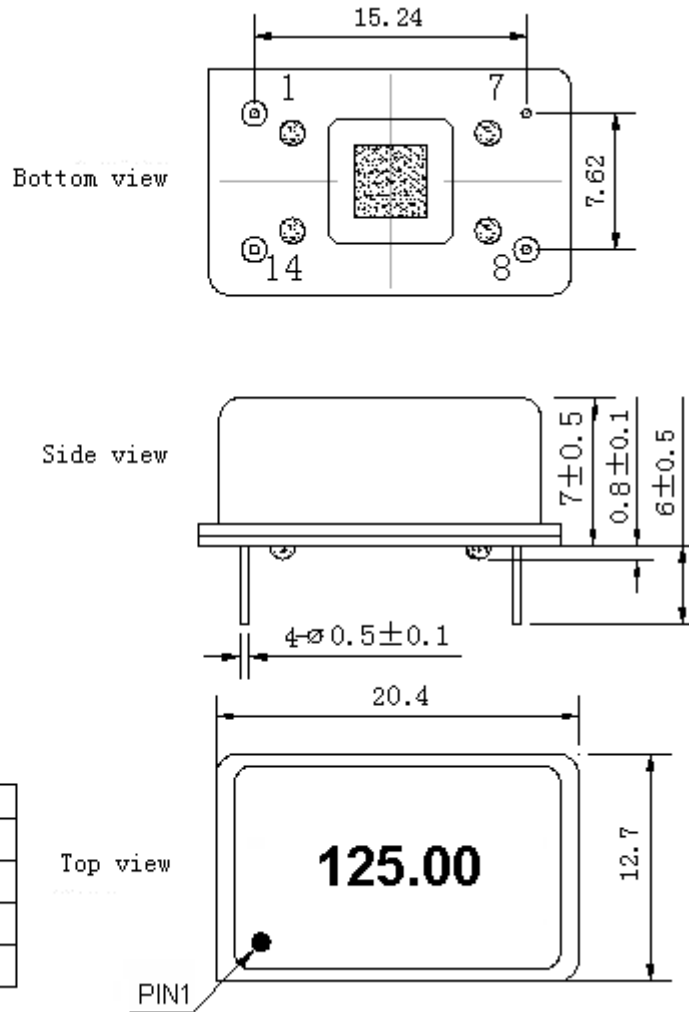


1、Electrical Parameters

MODEL: DP7W12500008							
No.	Parameters	SYM.	Electrical Spec.				Notes
			Min.	Typ.	Max.	Units	
1	Nominal Frequency	FL	125.00			MHz	
2	Frequency Stability	-	-50		+50	ppm	
3	Operating Temperature	Topr	-10	25	70	°C	
4	Storage Temperature	Tstg	-55	~	125	°C	
5	Supply Voltage	VDD	2.97	3.3	3.63	V	
6	Input Current	Icc	-	-	40	mA	
7	Output Load: CMOS	CL	15			pF	
8	Output Voltage High	VoH	90% Vdd	-	-	V	
9	Output Voltage Low	Vol	-	-	10% Vdd	V	
10	Rise Time	Tr	-	-	3	ns	10%-90% VDD Level
11	Fall Time	Tf	-	-	3	ns	90%-10% VDD Level
12	Symmetry (Duty ratio)	TH/T	40	~	60	%	
13	Start-up Time	Tosc	-	-	10	ms	
14	Aging	-	±3			ppm/yr.	1st. Year at 25°C
15	Drop Test	75 cm height,3 times on concrete floor .					JIS C6701
16	Mechanical Shock	Device are shocked to half sine wave (1000 G) three mutually. perpendicular axes each 3 times. 0.5m sec. duration time					MIL-STD-202
17	Vibration	Frequency range 10 ~ 2000 Hz Amplitude 1.52 mm/20G Sweep time 20 minute perpendicular axes each test time 4 hours (Total test time 12 hours)					MIL-STD-883



2、 Mechanical Structure(mm)



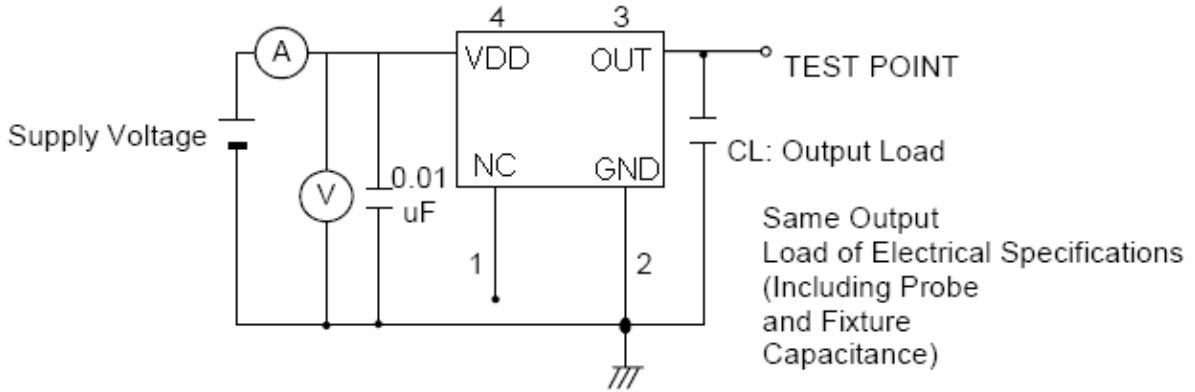
PIN FUNCTION

PIN	NOTATION	FUNCTION
1	NC	NC
7	GND	GND
8	OUTPUT	RF Output
14	VCC	Supply Voltage

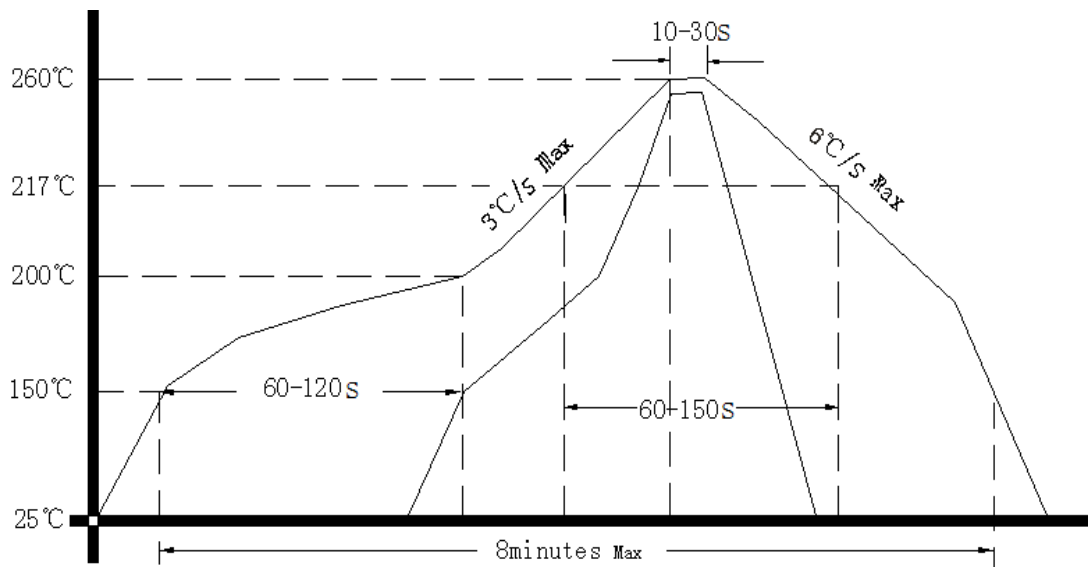
Note1: Tolerance ±0.20mm without mark



3、 Test Diagram



4、 Reflow Soldering Curve (RoHS)



5、 Package: Tape & Reel (mm)

